



Dryer

User manual

DV25B6800H*

SAMSUNG

Contents

Safety information	4
What you need to know about the safety instructions	4
Important safety symbols	4
CALIFORNIA PROPOSITION 65 WARNING	5
Important safety precautions	6
Warnings	7
Cautions	7
Before installation	9
Key installation requirements	9
Location considerations	9
Electrical requirements	13
Step-by-step installation	17
Switching the door position	25
Before you start	29
Sort and load	29
Functional prerequisite	29
Operations	30
Control panel	30
Simple steps to start	32
Cycle overview	33
Cycle guide	34
Special features	36
Troubleshooting	43
Checkpoints	43
Information codes	45

Specifications	46
Fabric care chart	46
Protecting the environment	47
Specification sheet	48
Cycle chart	49

Safety information

Congratulations on your new Samsung dryer. This manual contains important information on the installation, use and care of your appliance. Please take some time to read this manual to take full advantage of your dryer's many benefits and features.

Install the clothes dryer according to the manufacturer's instructions and local codes.

What you need to know about the safety instructions

Please read this manual thoroughly to ensure that you know how to safely and efficiently operate the extensive features and functions of your new appliance. Please store the manual in a safe location close to the appliance for future reference. Use this appliance only for its intended purpose as described in this instruction manual.

Warnings and Important Safety Instructions in this manual do not cover all possible conditions and situations that may occur. It is your responsibility to use common sense, caution and care when installing, maintaining and operating your dryer.

Because the following operating instructions cover various models, the characteristics of your dryer may differ slightly from those described in this manual and not all warning signs may be applicable. If you have any questions or concerns, contact your nearest service center or find help and information online at www.samsung.com.

Important safety symbols

What the icons and signs in this user manual mean:

WARNING

Hazards or unsafe practices that may result in severe personal injury, death and/or property damage.

CAUTION

Hazards or unsafe practices that may result in personal injury and/or property damage.

NOTE

Indicates that a risk of personal injury or material damage exists.

These warning signs are here to prevent injury to yourself and others.

Please follow them explicitly.

After reading this manual, store it in a safe place for future reference.

Read all instructions before using the appliance.

As with any equipment that uses electricity and moving parts, potential hazards exist.

To safely operate this appliance, familiarize yourself with its operation and exercise care when using it.

SAVE THESE INSTRUCTIONS

⚠️ WARNING - Risk of Fire

- Clothes dryer installation must be performed by a qualified installer.
- Install the clothes dryer according to the manufacturer's instructions and local codes.
- Do not install a clothes dryer with flexible plastic venting materials. If flexible metal (foil type) duct is installed, it must be of a specific type identified by the appliance manufacturer as suitable for use with clothes dryers. Flexible venting materials are known to collapse, be easily crushed, and trap lint. These conditions will obstruct clothes dryer airflow and increase the risk of fire.
- To reduce the risk of severe injury or death, follow all installation instructions.
- Save these instructions.

⚠️ WARNING - To reduce the risk of fire or explosion:

- Do not dry items that have been previously cleaned, washed, soaked, or spotted with gasoline, dry cleaning solvents, or other flammable or explosive substances. They emit vapors that could ignite or explode. Any material that has been in contact with a cleaning solvent or flammable liquids or solids should not be placed in the dryer until all traces of these flammable liquids or solids and their fumes have been removed. There are many highly flammable items used in homes, such as acetone, denatured alcohol, gasoline, kerosene, some liquid household cleaners, some spot removers, turpentine, waxes, and wax removers.
- Do not dry items containing foam rubber (may be labeled latex foam) or similarly textured rubber-like materials on a heat setting. Heated foam rubber materials can, under certain circumstances, ignite spontaneously.

⚠️ WARNING - Fire or explosion hazard:

- Failure to follow safety warnings exactly could result in serious injury, death or property damage.
- Do not store or use gasoline or other flammable vapors and liquids near this or any other appliance.
- Installation and service must be performed by a qualified installer, service agency.

CALIFORNIA PROPOSITION 65 WARNING**⚠️ WARNING**

Cancer and Reproductive Harm - www.P65Warnings.ca.gov.

SAVE THESE INSTRUCTIONS

Safety information

Important safety precautions

WARNING

To reduce the risk of fire, electric shock, or injury to persons when using your appliance, follow basic precautions, including the following:

1. Read all instructions before using this appliance.
2. Do not dry articles that have been previously cleaned in, washed in, soaked in, or spotted with gasoline, dry-cleaning solvents, or other flammable or explosive substances, as they give off vapors that could ignite or explode.
3. Do not use the dryer to dry clothes which have traces of any flammable substance, such as vegetable oil, cooking oil, machine oil, flammable chemicals, paint thinner, etc., or anything containing wax or chemicals, such as mops and cleaning cloths. Flammable substances may cause the fabric to catch fire by itself.
4. Do not store or use gasoline or other flammable vapors and liquids near this or any other appliance.
5. Do not allow children to play on or in the appliance. Close supervision of children is necessary when the appliance is used near children.
6. Before the appliance is removed from service or discarded, remove the door to the drying compartment.
7. Do not reach into the appliance if the drum is moving.
8. Do not install or store this appliance where it will be exposed to the weather.
9. Do not tamper with internal controls.
10. Do not repair or replace any part of the appliance or attempt any service unless specifically recommended in the user-maintenance instructions or in published user-repair instructions that you understand and have the skills to carry out.
11. Do not use fabric softeners or products to eliminate static unless recommended by the manufacturer of the fabric softener or product.
12. Clean the lint screen before or after each load.
13. Do not use heat to dry articles containing foam rubber or similarly textured rubber-like materials.
14. The interior of the appliance should be cleaned periodically by qualified service personnel.

SAVE THESE INSTRUCTIONS

15. Do not place items exposed to cooking oils in your dryer. Items contaminated with cooking oils may contribute to a chemical reaction that could cause a load to catch fire. To reduce the risk of fire due to contaminated loads, the final part of a tumble dryer cycle occurs without heat (cool down period). Avoid stopping a tumble dryer before the end of the drying cycle unless all items are quickly removed and spread out so that the heat is dissipated.
16. This appliance must be grounded. See “**Electrical requirements**” and “**Grounding**” in “**Installation**” section.
17. Do not allow children to play on or in the appliance. Close supervision of children is necessary when the appliance is used near children.
18. Do not insert your hand under the dryer.
 - This may result in injury.
19. Take care that children’s fingers are not caught in the door when closing it.
 - This may result in injury.

Warnings

WARNING

- Ensure pockets are free of small, irregularly shaped hard objects and foreign material, i.e. coins, knives, pins, etc. These objects could damage your dryer.
- Sharp Edges - To reduce the risk of injury, use care when cleaning the condenser or evaporator coil fins.
- Certain internal parts are intentionally not grounded and may present a risk of electric shock only during servicing. Service Personnel - Do not contact the following parts while the appliance is energized: Control board, Motor, Drain pump.

Cautions

CAUTION

- Do not allow children or pets to play on, in, or in front of the appliance. Close supervision is necessary when the appliance is used near children and pets.
- Before discarding or removing your dryer from service, remove the door to the drying compartment to prevent children or animals from becoming trapped inside.
- Do not reach into the appliance when the drum is moving.
- Do not install or store this appliance where it will be exposed to the weather.
- Do not tamper with the controls.

SAVE THESE INSTRUCTIONS

Safety information

- Do not repair, replace, or attempt to service any part of the appliance unless specifically instructed to in the user-repair instructions and you have the understanding and skills to carry out the procedure.
- Do not use fabric softeners or products to eliminate static unless the softener or product is recommended for dryer use by the manufacturer of the fabric softener or product.
- Clean the lint screen before or after each load.
- Keep the area around the exhaust opening and surrounding areas free from lint, dust, and dirt.
- The interior of the dryer and exhaust duct should be cleaned periodically by qualified service personnel.
- This appliance must be properly grounded. Never plug the power cord into a receptacle that is not grounded adequately or not in accordance with local and national codes. See the installation instructions for information about grounding this appliance.
- Do not sit on top of the dryer.
- Do not dry clothing with large buckles, buttons, or other heavy metal or solid objects.
- Install and use in accordance with the manufacturer's instructions.
- Do not place items in your dryer that have been spotted or soaked with vegetable oil or cooking oil. Even after being washed, these items may contain significant amounts of these oils.
- Residual oil on clothing can ignite spontaneously. The potential for spontaneous combustion increases when items containing vegetable oil or cooking oil are exposed to heat. Heat sources such as your dryer can warm these items, allowing an oxidation reaction in the oil to occur. Oxidation creates heat. If this heat cannot escape, the items can become hot enough to catch fire. Piling, stacking, or storing these kinds of items may prevent heat from escaping and can create a fire hazard.
- All washed and unwashed fabrics that contain vegetable oil or cooking oil can be dangerous.

Washing these items in hot water with extra detergent will reduce, but not eliminate, the hazard. Always use the Cool Down cycle for these items to reduce their temperature. Never remove these items from the dryer hot or interrupt the drying cycle until the items have run through the Cool Down cycle. Never pile or stack these items when they are hot.

SAVE THESE INSTRUCTIONS

Before installation

Read through the following instructions before installing the dryer, and keep this manual for future reference.

WARNING

Certain internal parts are intentionally not grounded and may present a risk of electric shock only during servicing. Service Personnel - Do not contact the following parts while the appliance is energized: Control board, Motor, Drain pump.

Key installation requirements

- A grounded electrical outlet.
- A power cord for electric dryers (except in Canada).
- A sink or drain pipe if you want to drain the water captured during drying through the supplied long drain hose. (See page 20.)

WARNING

Remove the door from all discarded appliances to prevent a child from suffocating.

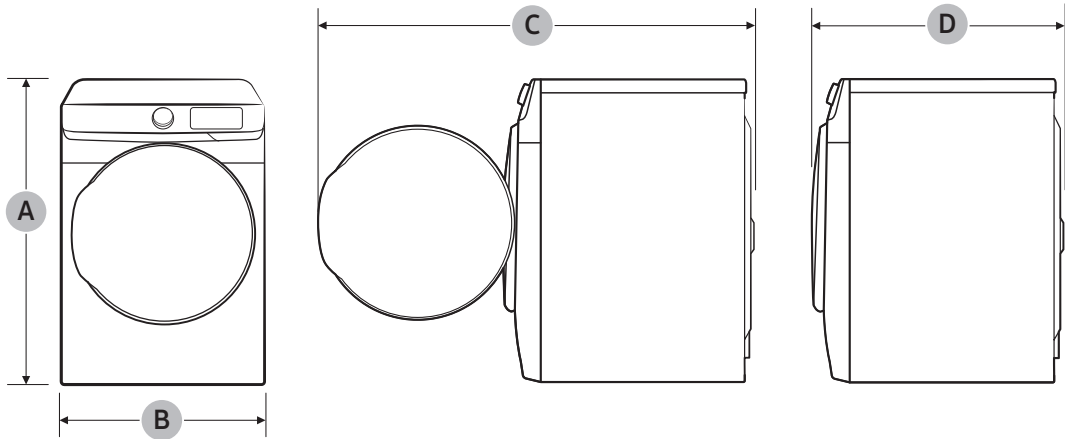
Location considerations

The dryer should be located where there is enough space at the front for loading the dryer, and enough space behind for the exhaust system. This dryer is factory-ready for the rear exhaust option. To exhaust out the bottom, right or the left, use the accessory exhaust kit. Instructions are included with the kit. Make sure the room in which the dryer is located has enough fresh air. The dryer must be located where there are no air-flow obstructions.

The dryer must not be installed or stored in an area where it will be exposed to water and/or weather. The dryer area must be kept clear of combustible materials, gasoline, and other flammable vapors and liquids. A dryer produces combustible lint. The area around the dryer should be kept lint-free.

Before installation

Dimensions



Type	Front loading dryer	
Models	DV25B6800H*	
Dimensions (in. (mm))	A. Overall height	33.5 (850)
	B. Width	23.6 (600)
	C. Depth with door open	43.3 (1101)
	D. Depth	26.0 (660)

Clearance requirement

This clearance requirement is applicable for dryers only.

NOTE

- For washer’s clearance requirement, see the washer’s user manual.
- If the washer and dryer have different clearance requirements, use the one with the larger value.

Alcove or closet installations

WARNING

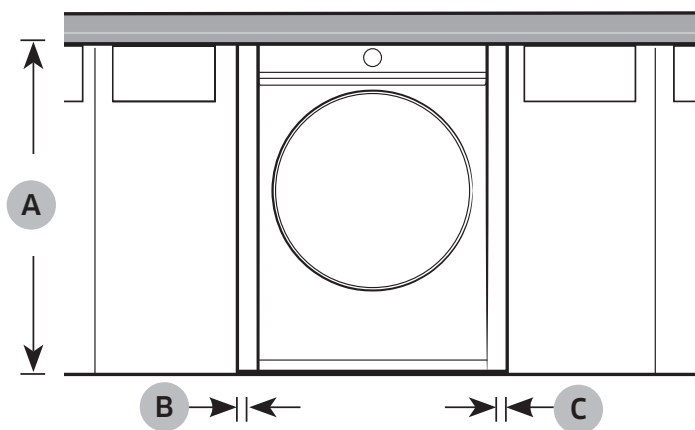
- The dryer must be exhausted to the outside to reduce the risk of fire when installed in an alcove or closet.
- No other fuel-burning appliance should be installed in the same closet as the dryer.
- Place the dryer at least 18 in. (460 mm) above the floor for garage installation.

Minimum clearance for stable operation:

Sides	Top	Rear	Front
1 in. (25 mm)	1 in. (25 mm)	2 in. (51 mm)	1 in. (25 mm)

If both the washer and a dryer are installed in the same location, the front of the alcove or closet must have two unobstructed air openings for a combined minimum total area of 72 in.² (465 cm²).

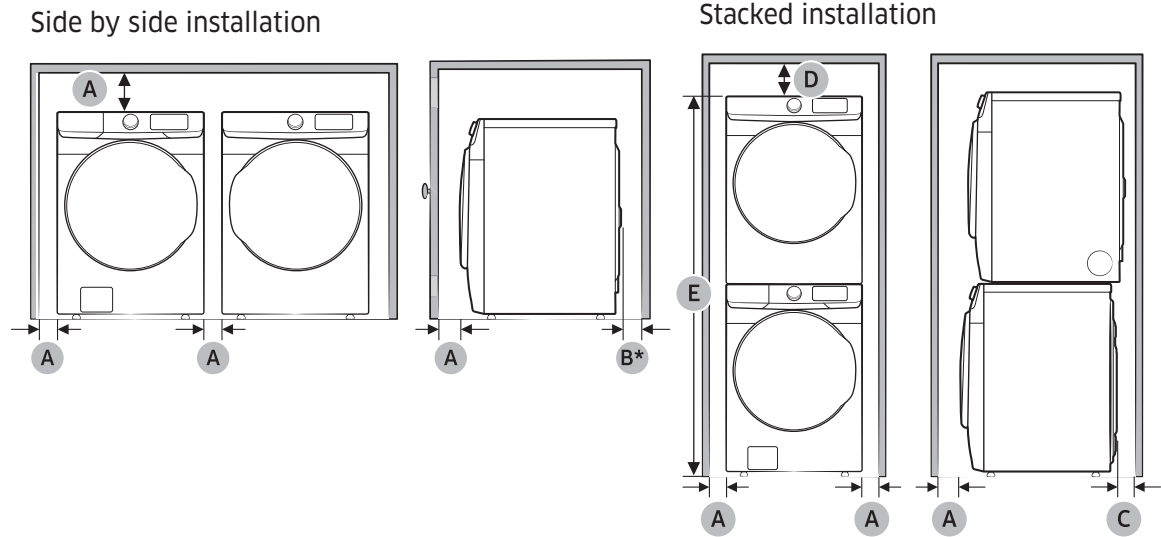
Undercounter installation



A	34.4 in. (875 mm)
B	1 in. (25 mm)
C	1 in. (25 mm)

Before installation

This clearance requirement is applicable for washer and dryer pair installation.



A	1 in. (25 mm)
B*	2 in. (51 mm)
C	2 in. (51 mm)
D	6 in. (152 mm)
E	67 in. (1702 mm)

(B*): This clearance requirement only applies to the dryer. For washer's clearance requirement, see the washer's user manual.

Minimum space (B*) of 3" is required for best dryer performance. In case of insufficient space for duct installation, properly sized vent kit is needed.

NOTE

Stacking (SK-DH)

Many of Samsung's washers and dryers can be stacked to maximize usable space. You can purchase an optional stacking kit from your Samsung retailer. For details about stacking and compatible models, refer to the user manual included in the stacking kit you purchase.

Electrical requirements

The wiring diagram is located on the plate under the control panel or rear frame.

WARNING

- Improperly connecting the equipment grounding conductor can result in a risk of electric shock. Check with a qualified electrician or serviceman if you are in doubt as to whether your dryer is properly grounded. Do not modify the plug provided with your dryer - if it doesn't fit the outlet, have a proper outlet installed by a qualified electrician.
- To prevent unnecessary risk of fire, electrical shock, or personal injury, all wiring and grounding must be done in accordance with local codes, or in the absence of local codes, in accordance with the National Electrical Code, ANSI/NFPA No. 70-Latest Revision (for the U.S.) or the Canadian Electrical Code CSA C22.1 - Latest Revisions and local codes and ordinances. It is your responsibility to provide adequate electrical service for your dryer.

Grounding

This dryer must be grounded. In the event of a malfunction or breakdown, the ground will reduce the risk of electrical shock by providing a path of least resistance for the electrical current.

WARNING

- Your dryer has an optional cord with an equipment-grounding conductor and a grounding plug. This cord is sold separately.
- The plug must be plugged into an appropriate outlet that is properly installed and grounded in accordance with all local codes and ordinances.
- Do not modify the plug provided with your dryer - if it doesn't fit the outlet, have a proper outlet installed by a qualified electrician.
- If a power cord is not used and the electric dryer is to be permanently wired, the dryer must be connected to a permanently grounded metal wiring system, or an equipment grounding conductor must be run with the circuit conductors and connected to the equipment grounding terminal or lead on the dryer.

Before installation

Electrical connections

Before operating or testing, follow all grounding instructions in the “**Grounding**” section. An individual branch (or separate) circuit serving only your dryer is recommended.

Do not use an extension cord.

U.S. only

Most U.S. dryers require a 240 volt, 60 Hz AC approved electrical service. Some require 208 volt, 60 Hz approved electrical service. The electric service requirements can be found on the data label located behind the door. A 30-ampere fuse or circuit breaker on both sides of the line is required.

- If a power cord is used, the cord should be plugged into a 30-ampere receptacle.
- The power cord is not provided with U.S. electric model dryers. This cord is sold separately.

Risk of Electric Shock

WARNING

- When local codes allow, you can connect the dryer’s electrical supply with a new power supply cord kit, marked for use with a dryer, that is U.L. listed and rated at a minimum of 240 volts, 30-amperes with three No. 10 copper wire conductors terminated with closed loop terminals, open-end spade lugs with turned up ends, or with tinned leads.
- Do not reuse a power supply cord from an old dryer. The power cord electric supply wiring must be supported at the dryer cabinet by a suitable UL-listed strain relief.

- Grounding through the neutral conductor is prohibited for (1) new branch-circuit installations, (2) mobile homes, (3) recreational vehicles, and (4) areas where local codes prohibit grounding through the neutral conductor. (Use a 4-prong plug for a 4 wire receptacle, NEMA type 14-30R.)

Canada Only

- A 240 volt, 60 Hz AC approved electrical service fused through a 30-ampere fuse or circuit breaker on both sides of the line is required.

NOTE

All Canadian models are shipped with the power cord attached. The power cord should be plugged into a 30-ampere receptacle.

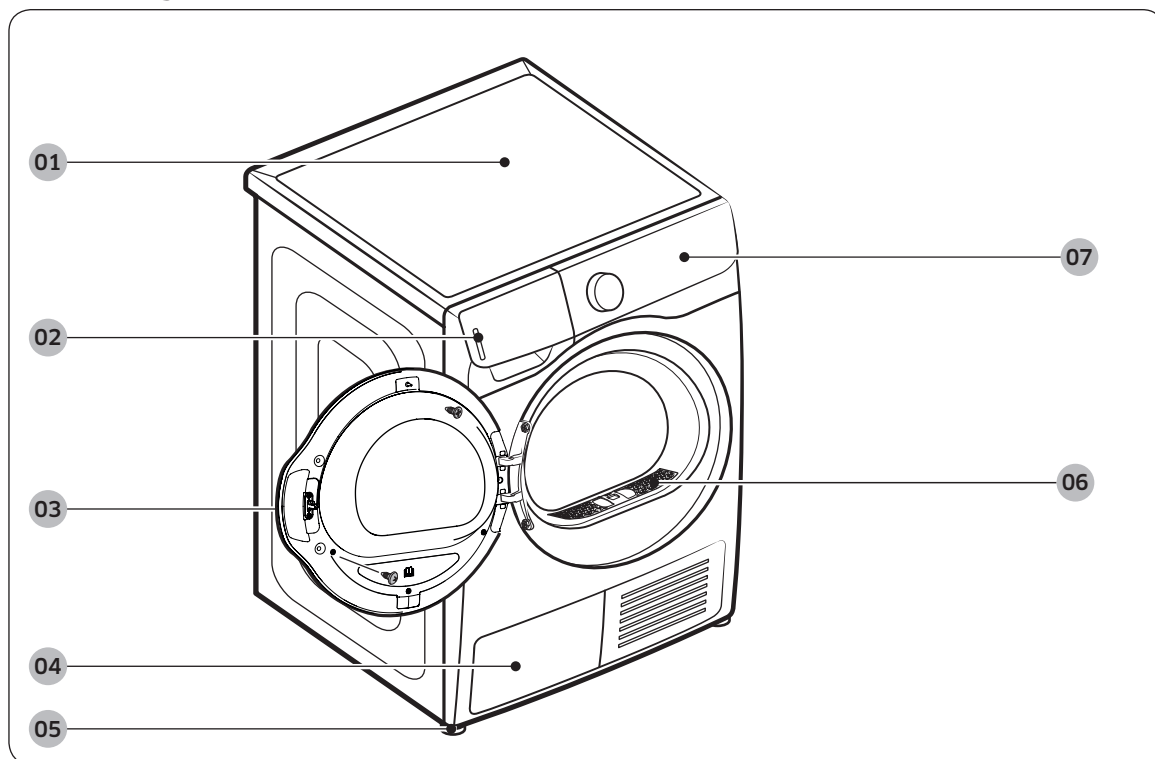
In Canada, you may convert a dryer to 208 volt.

Installation

What's included

Carefully unpack the dryer. Keep all packaging materials away from children. The parts and location of parts shown below may differ from your dryer. Before installation, make sure the dryer has all the parts listed here. If the dryer and/or parts are damaged or missing, contact the nearest Samsung customer service center.

Dryer at a glance



01 Top cover

03 Door

05 Levelling Leg

07 Control Panel

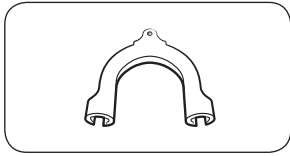
02 Water Tank

04 Heat exchanger

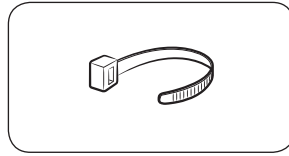
06 Lint filter

Installation

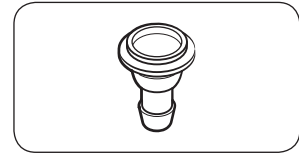
Accessories (supplied)



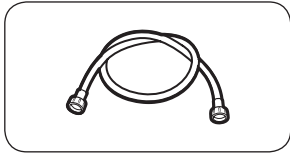
Hose guide



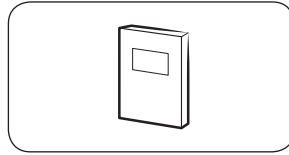
Cable tie



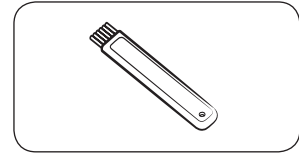
Hose connector



Long drain hose (6.5 ft/2 m)

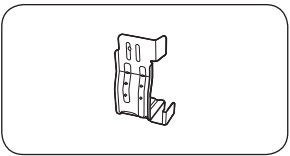


User manual



Cleaning brush

Accessories (Canada Model Only)



Bracket-Stacking kit
(SK-DH)

NOTE

- The stacking kit allows the dryer to be stacked on top of a washer. Please note that the stacking kit can only be used with Samsung washers and dryers. To purchase a bracket stacking kit, contact a Samsung service center or local appliance retailer. The stacking kit differs with the washer model.
- For stacking instructions for the dryer, see the installation manual included in the stacking kit.
- For information about model-specific availability of the stacking kit, see the installation manual included in the stacking kit.

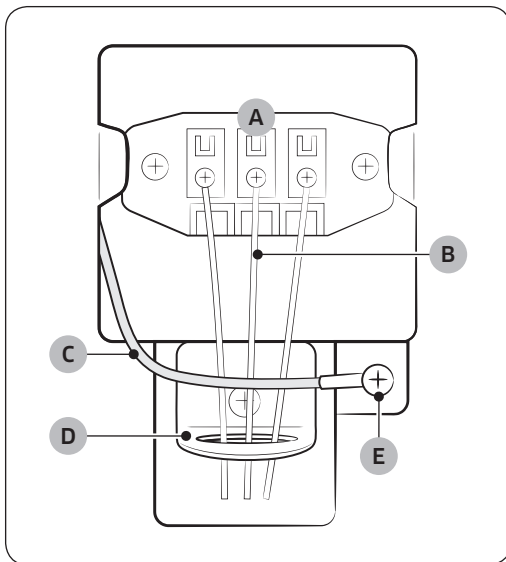
Step-by-step installation

Make sure you have a qualified technician install the dryer. Step by step installation instructions start below.

STEP 1 Connect the electrical wiring

First, read through the “**Electrical requirements**” section, and then follow the instructions on this page or the next page. Instructions for a 3-wire system are on this page. Instructions for a 4-wire system are on the next page.

For a 3-wire system



- A.** Center silver-colored terminal block screw
- B.** Neutral wire (white or center wire)
- C.** Neutral grounding wire (white or green/yellow)
- D.** $\frac{3}{4}$ " (1.9 cm) UL-listed strain relief
- E.** External ground connector

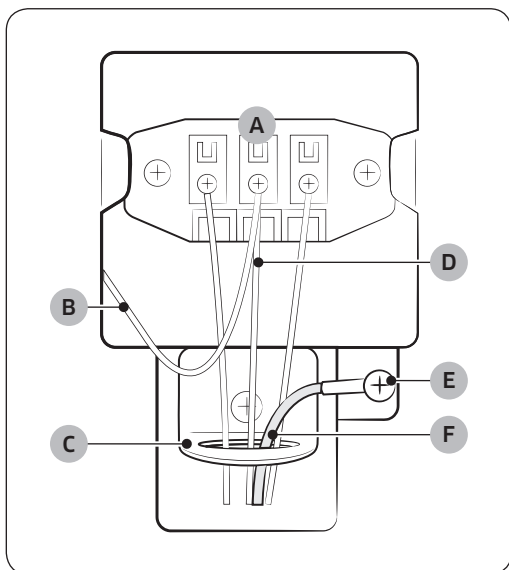
1. Loosen or remove the screws from the center terminal block.
2. Connect the neutral wire (white or center wire) of the power cable to the center, silver-colored terminal screw of the terminal block. Tighten the screws.
3. Connect the other wires to outer terminal block screws. Tighten the screws.
4. Tighten the strain relief screws.
5. Insert the terminal block cover into the rear panel of the dryer. Then, secure the cover with a hold-down screw.

CAUTION

- To convert from the 4-wire system to 3-wire system, connect the ground strap to the terminal block support to ground the dryer frame to the neutral conductor.
- Ring-type terminals are recommended. If using strap terminals, make sure they are tightened.
- Connect the power cord and check L1/L2/N voltage. If the voltage is low, it may not heat properly.

Installation

For a 4-wire system



- A. Center silver-colored terminal block screw
- B. Neutral grounding wire (white or green/yellow)
- C. 3/4" (1.9 cm) UL-listed strain relief
- D. Neutral wire (white or center wire)
- E. External ground connector
- F. Green or bare copper wire of power cord

1. Remove the external ground connector's screw, and connect the ground wire (green or unwrapped) of the power cable to the screw.

CAUTION

- To connect the ground wire to the neutral position without through contact A (cabinet ground), contact a technician. This is not user serviceable.
 - Ring-type terminals are recommended. If using strap terminals, make sure they are tightened.
2. Loosen or remove the screws from the center terminal block.
 3. Connect the neutral wire (white or center wire) and ground wire (white) to the center, silver-colored terminal screw of the terminal block. Tighten the screw.
 4. Connect the other wires to the outer terminal block screws. Tighten the screws.
 5. Tighten the strain relief screws.
 6. Insert the tab of the terminal block cover into the rear panel of the dryer. Then, secure the cover with a hold-down screw.

CAUTION

Connect the power cord and check L1/L2/N voltage. If the voltage is low, it may not heat properly.

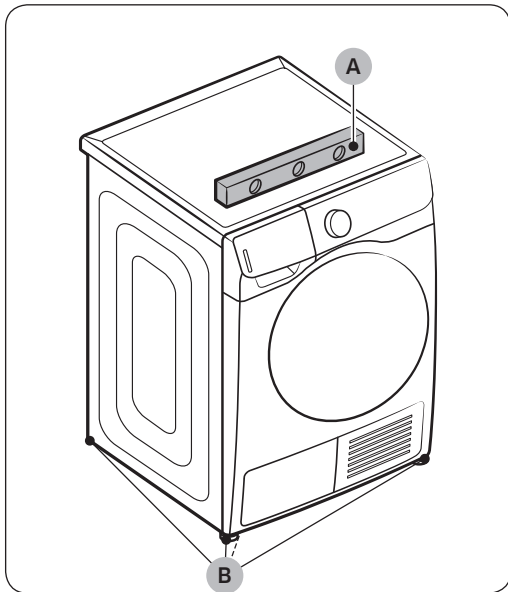
WARNING

- All U.S. models are designed for a 3-wire system connection. The dryer frame is grounded to the neutral conductor at the terminal block. A 4-wire system connection is required for new or remodeled construction, mobile homes, or if local codes do not permit grounding through neutral. If you use the 4-wire system, you cannot ground the dryer frame to the neutral conductor at the terminal block.

- Remove the terminal block cover plate.
- Insert the power cord with a UL-listed strain relief through the hole provided in the cabinet near the terminal block.
- A strain relief must be used.
- Do not loosen the nuts already installed on the terminal block. Be sure they are tight.
- Use a 3/8" (1 cm) deep well socket.
- Since January 1, 1996, The national electric code requires that new wiring (not existing) utilize a 4-wire connection to this dryer.

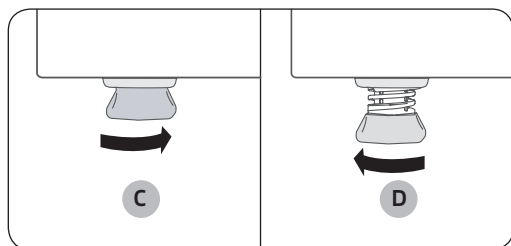
STEP 2 Level the dryer

Before you install the dryer, make sure you have read the Installation requirements on page 9. Please note that the following instructions are for installation without using a drain hose. For instructions on using a drain hose, see the next section, Drain hose (if necessary) on page 20. For convenience, consider installing the dryer next to your washer.



1. Carefully move the dryer to the desired location.
2. Use a **level (A)** and check the levelness of the dryer from side to side and front to back.
3. If the dryer is not level, adjust the **levelling legs (B)**. Turning a leg counter-clockwise retracts the leg. Turning a leg clockwise extends the leg.
4. Once the dryer is level, make sure the dryer stands firmly on the floor.
5. Plug in the dryer.

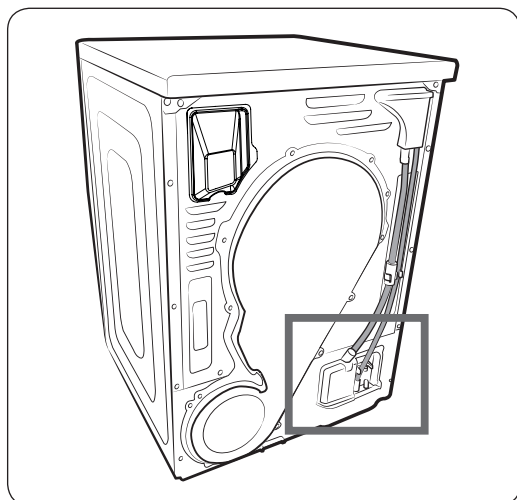
Installation



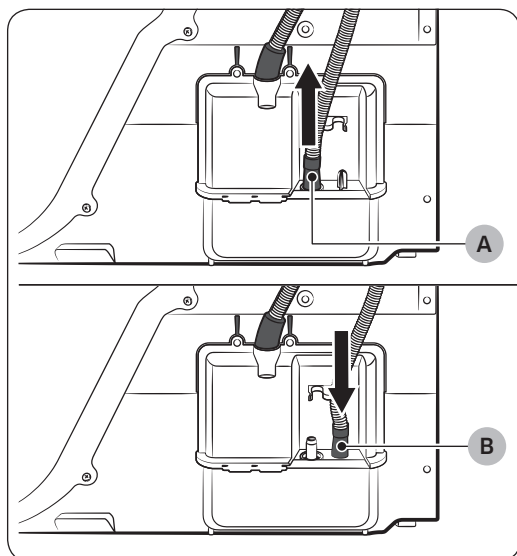
NOTE

- The dryer can be levelled using either or both of the front and rear legs of the dryer.
- To set the dryer to the same height as the washer, **fully retract (C)** the levelling legs by turning them counter clockwise, then **loosen (D)** the legs by turning them clockwise.
- Extend the levelling leg only as much as necessary. Extending the levelling leg more than necessary can cause the dryer to vibrate.

Drain hose (if necessary)

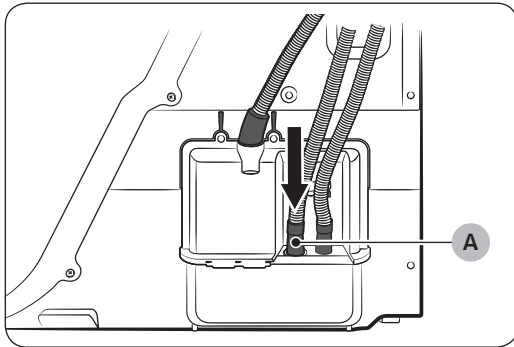


Important: This dryer comes with a built in water tank that stores water captured by the dryer from drying clothes. The water tank must be emptied manually before or after each load. See page 45. However, you can install the provided long drain hose as described below and have the water empty directly into a nearby sink or drain pipe automatically.



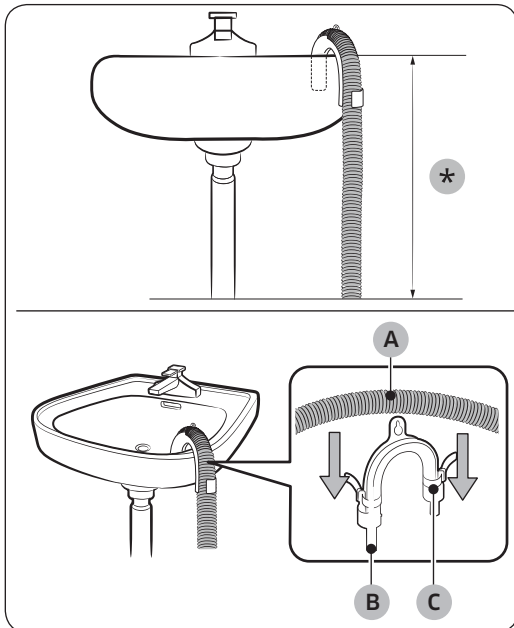
1. Remove the drain hose from hole (A), and insert it into hole (B).

Installation



2. Insert one end of the accessory hose (the long drain hose) into **hole (A)**.
3. Position the other end (the outlet) over a laundry sink or connect it to the drain pipe of a laundry sink. See the instructions below or on the next page.

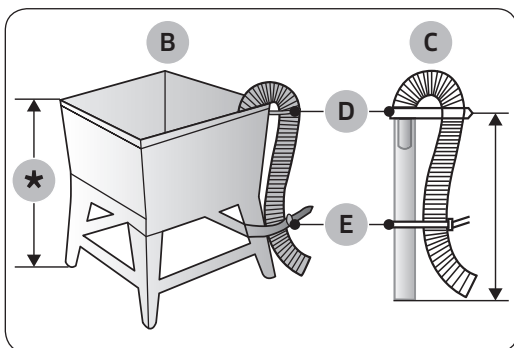
Over a laundry sink:



1. Make sure to place the end of the accessory hose no more than **3 ft. (90 cm)** above the bottom of dryer.
2. To bend the accessory hose so that it hooks over the edge of the sink, use the supplied plastic **hose guide (B)** and secure the guide to the wall with a hook or to the tap with a piece of string. Assemble the **drain hose (A)** and the **hose guide (B)** and fix them with the **cable-tie (C)**.

⚠ CAUTION

Do not extend the drain hose by connecting another hose to it. Water can leak from the connected area. If you need more length, use a longer drain hose.



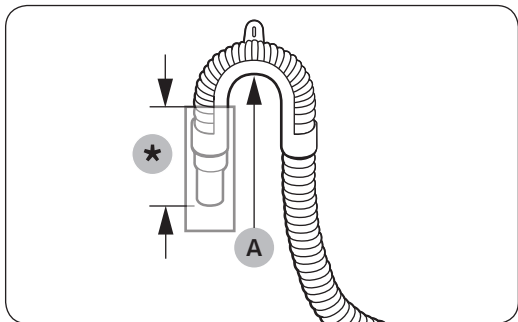
In a standpipe or laundry tub

The **laundry tub (B)** or **standpipe (C)** must be no higher than **35.4 In (90 cm)**.

Make sure the drain hose and the standpipe are not airtight.

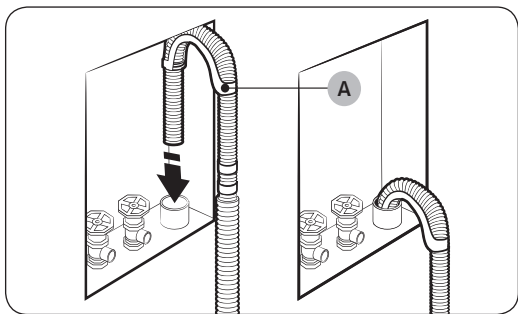
📄 NOTE

D: Hose retainer / E: Tie straps



⚠ CAUTION

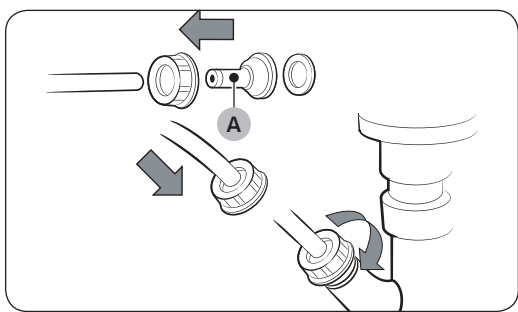
- Connect the hose **guide (A)** within 6 in. (15 cm)* of the end of the drain hose. If the drain hose is extended beyond the end of the hose guide, mold or microorganisms could spread inside the dryer.
- The drain hose can be installed up to 35.4 in. (90 cm) high, but the draining capability can be reduced at the maximum height. Too much water remaining in Dryer may cause malfunction.



Wall standpipe drain system

The drain hose can be placed into a wall standpipe drain system. To keep the end of the drain hose bent, use the supplied hose **guide (A)**. Secure the guide to the wall using a hook to ensure stable drainage.

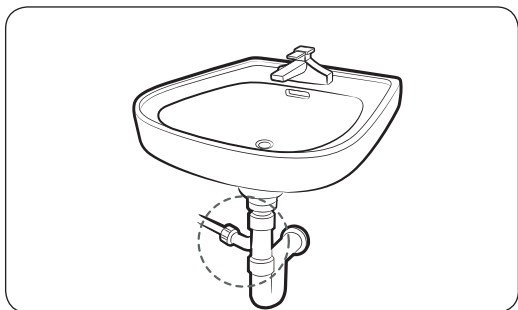
By using the drain pipe of the laundry sink:



1. Assemble the **hose connector (A)**, and attach it to the end of the accessory hose as shown.

⚠ CAUTION

To prevent water leaks, make sure to connect the hose and the connector firmly.



2. Connect the hose adaptor directly to the drain pipe of the laundry sink.

Installation

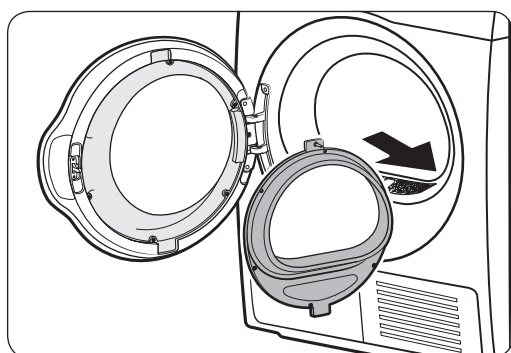
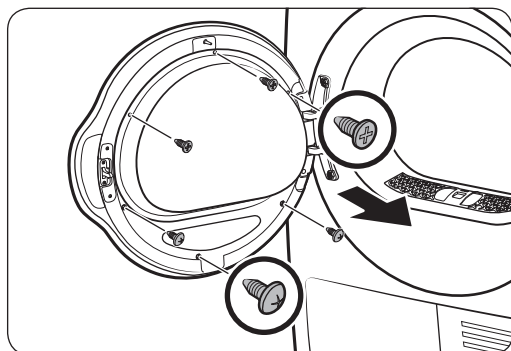
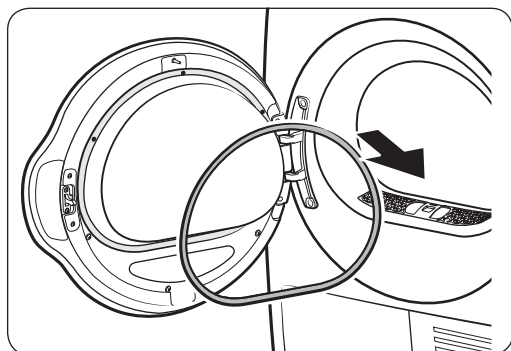
Installation checklist

- The dryer is plugged into a properly grounded outlet.
- All packaging material is completely removed and properly disposed.
- The dryer is level and standing firmly on the floor.
- The long drain hose is installed if you want water captured by the drying process drained automatically.
- Start the dryer to make sure that it runs, heats, and shuts off.
- Run a **TIME DRY** cycle for 20 minutes to see if the **HC** information code is displayed. If this is the case, contact a local service center.
- After installation, we recommend that you wait at least 1 hour before using the dryer.

Before using the dryer

- Make sure no accessory remains inside the drum.
- Plug in the power cord just before operating the dryer.
- Do not block the air inlet hole of the cooling grill at the front of the dryer.
- Do not place flammable objects near the dryer and keep the surrounding area clean.
- Keep the dryer level with the ground.
- Do not remove the adjustable levelling legs of the dryer. They are necessary to keep the dryer level.

Switching the door position



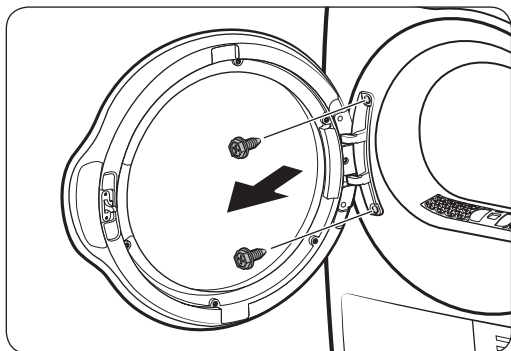
To reverse the direction of the door, we recommend that you contact a qualified technician and have the technician follow the directions below.

1. Remove the door packing from the door.
2. Remove the screws on the inner glass holder of the door.
 - Loosen and remove the 3 screws on the top and 3 screws on the bottom.
3. Detach the glass holder.

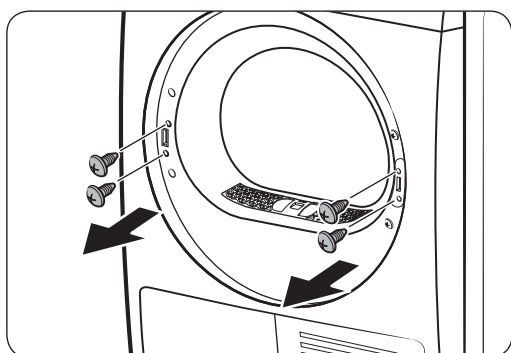
CAUTION

Be careful not to drop any part of the holder when detaching it. Property damage (cracks or breaks) or physical injury may occur.

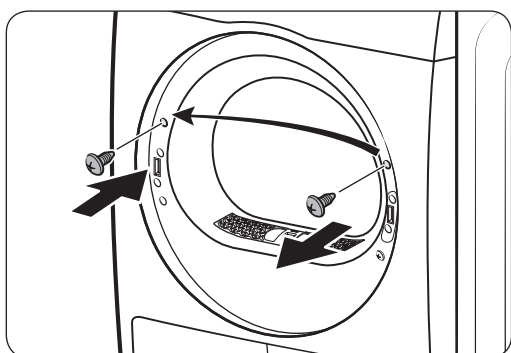
Installation



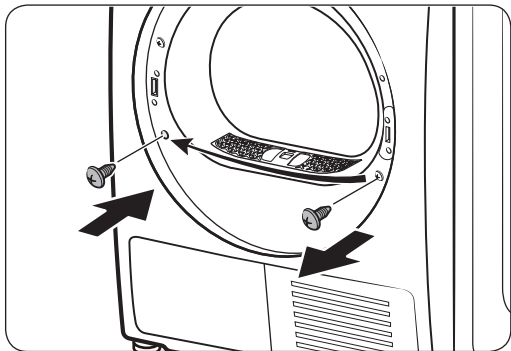
4. Remove the hinge screws, and then detach the door.
 - Loosen and remove the 2 bolts on the door frame.
 - To prevent abrasion on the bolts, use a hex screwdriver.



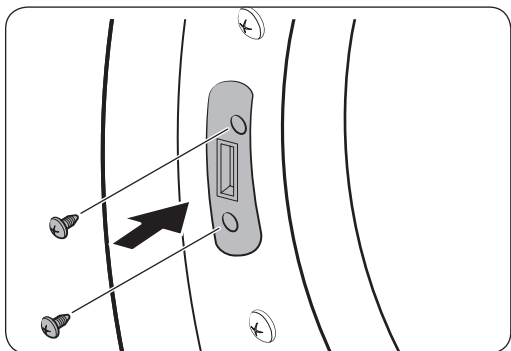
5. Remove the 2 holder screws on the left frame, and then remove the 2 bracket screws on the right frame.



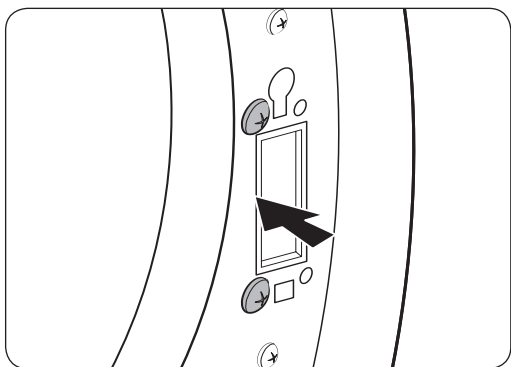
6. Remove the upper screw on the right of the door frame, and then insert it in the corresponding left hole of the door frame. Do not remove the lower bracket screws.



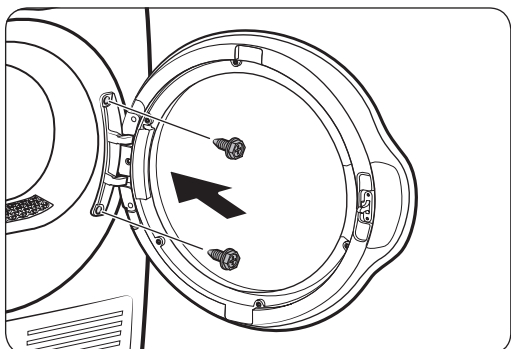
7. Remove the bottom screw on the right frame, and then insert it in the corresponding hole on the left frame.



8. Insert the 2 removed bracket screws in the left frame as shown.
- See the figure on the left for the correct position of the screws.

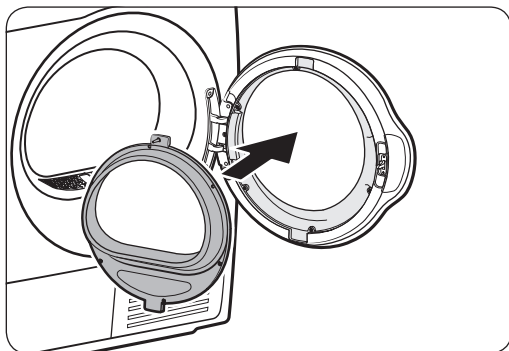


9. Insert the 2 removed holder screws in the right frame as shown.
- See the figure on the right for the correct position of the screws.

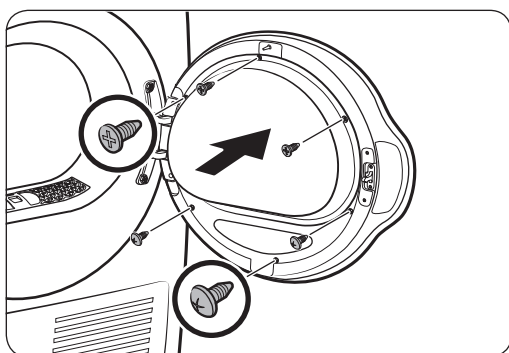


10. Insert the door hinge in the opposite position of the door frame, and then, tighten the 2 bolt screws.

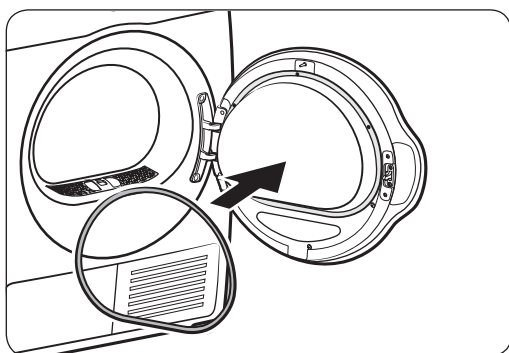
Installation



- 11.** Insert the inner glass holder in the door cover that has been installed on the right frame.



- 12.** Tighten the 3 screws on the top and 3 screws on the bottom.



- 13.** Attach the door packing to the door.

Before you start

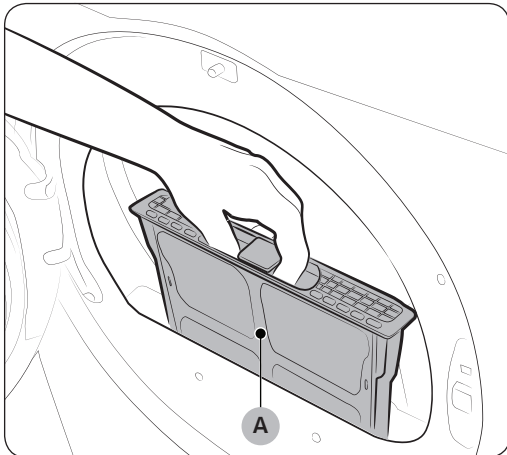
Here are a few things you should know before starting your dryer.

Sort and load

- Put one wash load in the dryer at a time.
- Do not mix heavy and lightweight items together.
- To improve drying efficiency for one or two items, add a dry towel to the load.
- For best results, untangle items before inserting them into the dryer.
- Overloading reduces the tumbling action, resulting in uneven drying and wrinkling and longer drying time.
- Unless recommended on the care label, do not dry woolens or fiberglass items.
- Avoid drying unwashed items.
- Do not dry items soiled with oil, alcohol, gasoline, etc.

Functional prerequisite

Lint filter



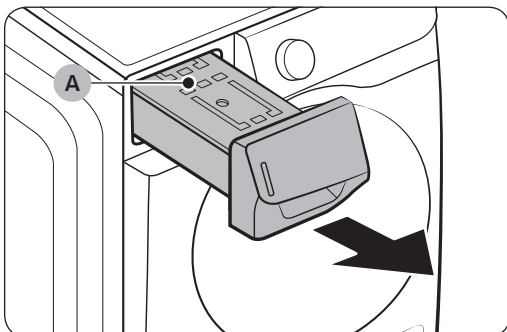
To prevent a risk of fire, make sure to clean the lint filter before or after every load.

1. Turn off the dryer.
2. Open the door, and pull out the lint filter (A) from inside the tumbler.
3. Remove the lint that has accumulated, and then clean the lint filter.
4. Reinsert the lint filter, and then close the door.

⚠ CAUTION

- Do not operate the dryer without the lint filter in place.
- Do not use a damaged or broken lint filter. This may reduce performance and/or cause a fire.

Water Tank



If you have not installed the long drain hose, empty the water tank before or after every load to avoid leaks.

1. Using both hands, pull the water tank forward to remove.
2. Empty the water through the drain hole on top, and then place the water tank back into place.

📖 NOTE

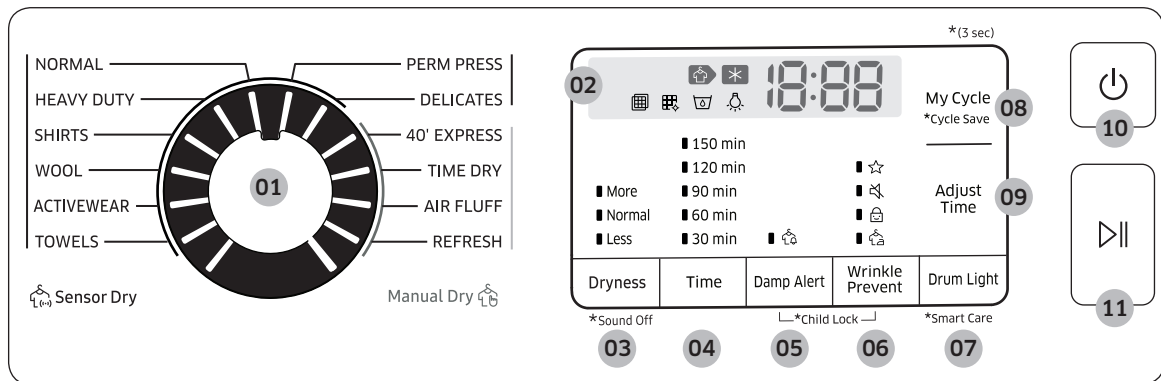
- If you empty the water tank and then press and hold Start/Pause (Hold to Start), the corresponding indicator turns off.

Operations


⚠ WARNING

To reduce the risk of fire, electric shock, or injury, read the “Safety information” section before operating this appliance.

Control panel



01 Cycle selector	Turn the cycle selector to select a desired cycle. When a cycle is selected, the cycle indicator lights up.
02 Digital graphic display	Displays all cycle information, including the cycle time, information code, operating status, and indicators.
03 Dryness	<p>Press to adjust the dryness in the Sensor Dry cycles. The corresponding indicator turns on.</p> <ul style="list-style-type: none"> • Larger or bulkier loads may require More for complete dryness. • Less is best suited for lightweight fabrics or for leaving some moisture in the clothing at the end of the cycle. <p>NOTE This option is not available with WOOL and ACTIVEWEAR.</p>
04 Time	<p>Press to adjust the cycle time for 40' EXPRESS, TIME DRY, AIR FLUFF, and REFRESH cycles.</p> <ul style="list-style-type: none"> • The following time options in minutes are available: 30, 60, 90, 120, and 150. • The exact drying time differs depending on the humidity of the load.









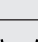
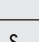
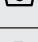
05 Damp Alert	<p>This alert is available for all Sensor Dry cycles except for ACTIVEWEAR and WOOL. Available dryness are Normal, More, and Less.</p> <p>If a load contains mixed fabrics, the Damp Alert indicator blinks when average dryness of the items is 80 % dry. This lets you take items that you don't want fully dried or that dry quickly out of the dryer early while letting others continue to dry.</p>
06 Wrinkle Prevent	<p>Wrinkle Prevent provides approximately 180 minutes of intermittent tumbling in unheated air at the end of the cycle to reduce wrinkling. Press Wrinkle Prevent to activate this feature. The load is dry and can be removed at any time during the Wrinkle Prevent process.</p> <ul style="list-style-type: none"> • Press and hold Wrinkle Prevent for 3 seconds to turn off the alarm. When the alarm is off, the Alarm Off indicator () turns on.
07 Drum Light	<p>Press to turn on or turn off the interior lamp. The lamp stays lit for 2 minutes after it has turned on, and then turns off automatically.</p>
08 My Cycle	<p>Choose your favorite cycle including the cycle time, temperature, and dryness. See "My Cycle" on page 36 for details.</p>
09 Adjust Time	<p>You can change the set time in the Manual Dry cycles. To change the cycle time, press Adjust Time until the desired time is displayed.</p>
10 Power	<p>Press to turn on/turn off the dryer.</p>
11 Start/Pause (Hold to Start)	<p>Press and hold to start an operation, or press to stop an operation temporarily.</p>

 **NOTE**

Items that have become extremely tangled in the wash can degrade drying efficiency or cause the dryer's door to open. We recommend that you untangle items before putting them in the dryer.

Operations

Indicators

	Drying		Damp Alert
	Cooling		My Cycle
	Check filter alarm		Sound Off
	Heat-exchanger clean alarm		Child Lock
	Water Tank Full		Wrinkle Prevent
	Drum Light		

Simple steps to start

1. Press **Power** to turn on the dryer.
2. Turn the **Cycle Selector** to select a cycle.
3. Change the cycle settings (**Dryness** and **Time**) as necessary.
4. Optionally, you can activate options available by pressing the relevant button. (**Adjust Time**, **Wrinkle Prevent**, and/or **Damp Alert**)
5. Press and hold **Start/Pause (Hold to Start)**. The dryer indicator turns on and shows an estimated cycle time on the display.

To change the cycle during operation

1. Press **Start/Pause (Hold to Start)** to stop operation.
2. Select a different cycle.
3. Press and hold **Start/Pause (Hold to Start)** to start the new cycle.

Sorting and loading

- Overloading will extend drying time significantly. Load to about half full for best results.
- Put only one wash load in the dryer at a time.
- Avoid mixing heavy and lightweight items together.
- To increase drying efficiency when drying one or two items, add a dry towel to the load.
- For best results, untangle items before inserting them into the dryer.
- Overloading restricts the tumbling process, resulting in uneven drying and wrinkling.
- Unless recommended on the care label, avoid drying woolens or fiberglass items.
- Avoid drying unwashed items.
- Do not dry items soiled with oil, alcohol, gasoline, etc.

Cycle overview

Sensor Dry

Sensor Dry cycles sense moisture in the load and stop the dryer when the load reaches the dryness level you have selected with **Dryness**.

Cycle	Description
NORMAL	For most fabrics including cottons and linens.
HEAVY DUTY	For drying items made out of heavy fabrics, such as jeans, corduroys, or work clothes, with high temperature heat.
SHIRTS	Use to quickly dry one item such as a shirt.
WOOL	For machine washable and tumble dryable wool only.
ACTIVEWEAR	For exercise wear and outdoor wear such as sports jerseys, training pants, water-repellent jackets, and other performance clothing. Thick fabrics like a zipper or Velcro closure of a jacket, or training socks may not be completely dried.
TOWELS	For bath towels and similar items
PERM PRESS	Dry wrinkle-free cottons, synthetic fabrics, knits, and permanent press fabrics automatically.
DELICATES	For heat-sensitive items at a low drying temperature.

Operations

Manual Dry

You can change the drying settings manually to your preference.

Cycle	Description
40' EXPRESS	For drying light cotton synthetics or items that need quick drying. The default dry time is 40 minutes.
TIME DRY	You can specify a cycle time in minutes.
AIR FLUFF	Tumbles the load in room temperature air.
REFRESH	Uses warm air to deodorize and refresh items.

Cycle guide

The best way to dry items is to follow the instructions on the care label. If no drying instructions are provided, see the following table for reference.

Cycle	Description
Bedspreads & Comforters	Follow the care label instructions or dry using NORMAL . <ul style="list-style-type: none"> Make sure the item is thoroughly dry before using or storing. May require repositioning in the drum to ensure even drying.
Blankets	Use NORMAL and dry only one blanket at a time for best tumbling action. <ul style="list-style-type: none"> Make sure blankets are thoroughly dry before using or storing.
Curtains & Draperies	Use PERM PRESS to help minimize wrinkling. <ul style="list-style-type: none"> Dry curtains and draperies in small loads for best results and remove as soon as possible after the cycle is complete.
Cloth Diapers	Use NORMAL for soft, fluffy diapers.
Down-filled Items (jackets, sleeping bags, comforters, etc.)	Follow the care label instructions or dry using NORMAL . <ul style="list-style-type: none"> Add a couple of dry towels to absorb moisture and shorten drying time.
Foam Rubber (rug backs, stuffed toys, shoulder pads, etc.)	Do not dry on a heat setting. Use AIR FLUFF . <p>⚠ WARNING Drying a rubber item with heat may damage it or cause a fire.</p>

Cycle	Description
Pillows	Use NORMAL . <ul style="list-style-type: none"> • Add a couple of dry towels and a pair of clean sneakers to help the tumbling action and to fluff the pillows. • Do not dry kapok or foam pillows using a heated drying cycle. You can dry these items in the dryer only if you use AIR FLUFF.
Plastics (shower curtains, outdoor furniture covers, etc.)	Use AIR FLUFF or TIME DRY and the Low or Extra Low temperature settings depending on the care label instructions.

 **WARNING**

Do not dry:

- Fiberglass items (curtains, draperies, etc.)
- Woolens, unless recommended on the label
- Items spotted or soaked with vegetable or cooking oils

Operations

Special features

Child Lock

Child Lock prevents children from playing with the dryer. When Child Lock is activated, all buttons except for the **Power** button are disabled.

To activate/deactivate Child Lock, simultaneously press and hold the **Damp Alert** and **Wrinkle Prevent** buttons for 3 seconds.

NOTE

Once Child Lock is activated, it will remain active even after you restart the dryer. If other buttons, except for the **Power** button, do not respond, check the Child Lock indicator. If the indicator is on, follow the instructions above to turn Child Lock off.

My Cycle

You can create your own cycle that contains your preferred settings and use it at your convenience.

1. Turn the **Cycle Selector** to select a cycle. The cycle indicator turns on.
2. Set or change the settings (**Dryness**, **Time**, etc.) and/or options as necessary. Each corresponding indicator blinks.
3. Press and hold **My Cycle** for 3 seconds. The dryer stores the selected cycle with its settings.

To use My Cycle, press **My Cycle**.

NOTE

WRINKLE PREVENT is not available with My Cycle.

Smart Care

If your dryer displays an information code, you can use Smart Care and the Smart Care app to explain the meaning of the code. To use Smart Care, you must have the Samsung Smart Care app installed on your smartphone.

NOTE

Smart Care is optimized for Samsung Galaxy and Apple iPhones. (Not compatible with some models).

Download the Samsung Smart Washer app from the Google Play Store or Apple App store (Search term: “**Samsung Smart Washer/Dryer**”), and install it on your smartphone.

If an information code appears on your dryer, follow these steps:

1. Simultaneously press and hold **Drum Light** button for 3 seconds to activate Smart Care.
2. Open the Smart Care app on your smartphone.
3. Put the smartphone's camera close to the display of the dryer. The app automatically recognizes the information code, and then displays suggestions on your smartphone.
4. If the smartphone fails to recognize the information code more than twice, type the information code manually into the Smart Care app.

CAUTION

- If light is reflected on the display of the dryer, the smartphone may not recognize the information code.
- If you hold the smartphone at an angle to the dryer's display, the smartphone may not recognize the information code. For best results, hold the smartphone so that the front of the panel and the smartphone are parallel or nearly parallel.
- After you use this function, the dryer will delete the record of the information code from its code log.

Maintenance

WARNING

- Do not clean the dryer by directly spraying water onto the dryer.
- Do not clean the dryer with benzene, thinner, alcohol, or acetone. This may cause discoloration, deformation, damage, electric shock, or fire.
- Before cleaning the dryer, be sure to unplug the power cord.
- Certain internal parts are intentionally not grounded and may present a risk of electric shock only during servicing. Service Personnel - Do not contact the following parts while the appliance is energized: Control board, Motor, Drain pump.

Control panel

- Clean with a soft, damp cloth. Do not use abrasive substances.
- Do not spray liquid cleaning agents directly on the display of the dryer.
- Some laundry pre-treatment soil and stain removers may damage the control panel.
- When using liquid cleaning agents, apply them to the cleaning cloth. Do not apply them directly to the dryer. Wipe up any spills or overspray immediately.

Tumbler

- Remove any stains from the tumbler with an all-purpose cleaner.
- Tumble old towels or rags to remove any remaining stains or cleaning substances. Stains may still be visible, but will not affect subsequent loads.

Stainless steel tumbler

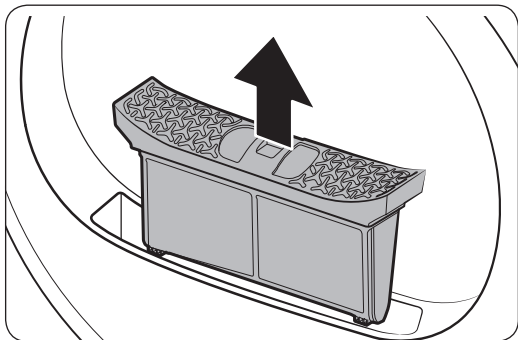
To clean the stainless steel tumbler, use a damp cloth with a mild, non-abrasive cleaner suitable for easily marred surfaces. Remove cleaner residue and dry with a clean cloth.

Dryer exterior

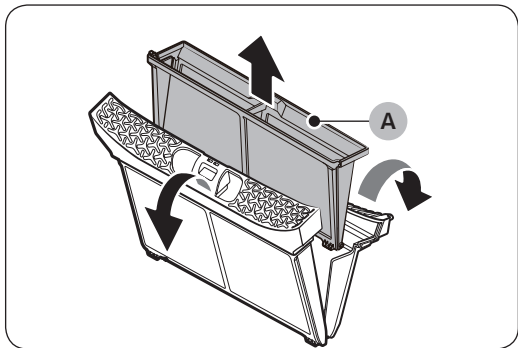
- Clean with a soft, damp cloth. Do not use abrasive substances.
- Protect the surface from sharp objects.
- Do not place any heavy or sharp objects or a detergent container on the dryer. They can scratch or damage the top cover of the dryer.
- The dryer has a high-gloss finish on the entire surface. Be careful not to scratch or damage the surface.

Lint filter

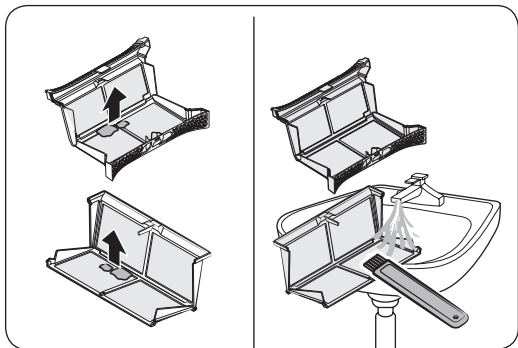
Clean the lint filter after each load.



1. Open the door and pull the lint filter upward to remove.



2. Open the outer filter and remove the inner filter (A).

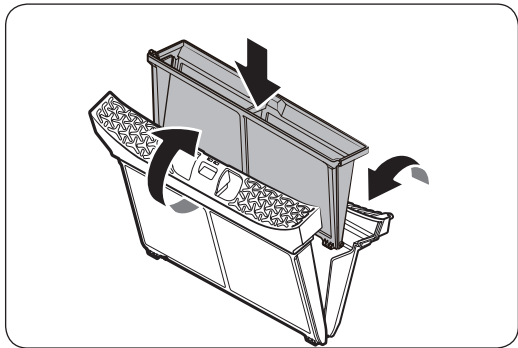


3. Unfold both the inner filter and the outer filter.
4. Remove the lint from both filters, and then clean the filters with the cleaning brush.

NOTE

To clean the filters thoroughly, clean the filters in running water, and then dry them completely.

5. Put the inner filter into the outer filter, and then reinsert the lint filter into its original position.



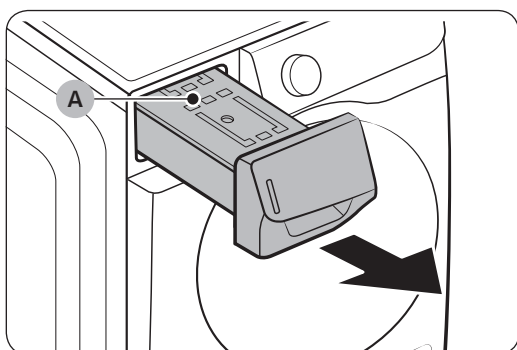
Maintenance

⚠ CAUTION

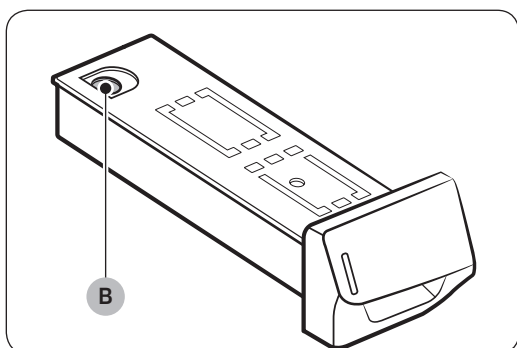
- Clean the lint filter after each load. Otherwise, the drying performance may decrease.
- Do not operate the dryer without the inner filter inside the outer filter.
- Using the dryer with a wet lint filter may cause mold, bad odors, or a decrease in drying performance.

Water tank

To avoid leaks, empty the water tank after every load.



1. Using both hands, pull the **water tank (A)** forward to remove.



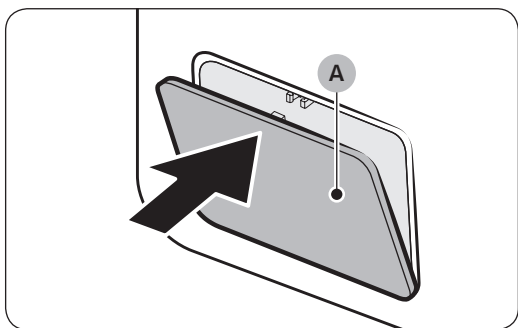
2. Empty the water through the **drain hole (B)**, and then put the water tank back into place.

📄 NOTE

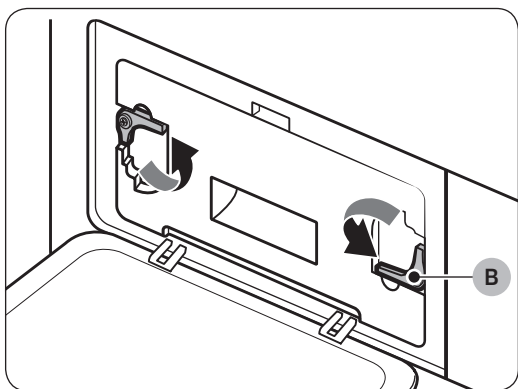
If you empty the water tank and then press and hold **Start/Pause (Hold to Start)**, the corresponding indicator turns off.

Heat exchanger

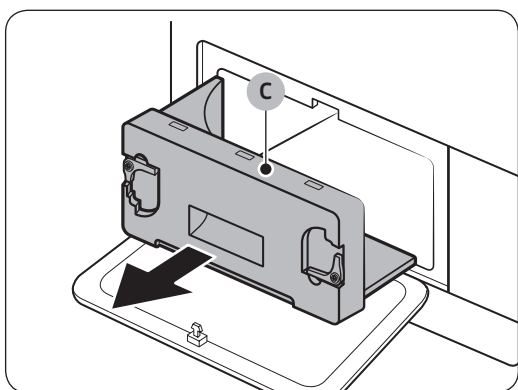
Clean the heat exchanger at least once a month. As a reminder, the heat exchanger indicator (🔌) lights up on the display when the heat exchanger needs to be cleaned.



1. Gently press the top part of the **outer cover (A)** to open.

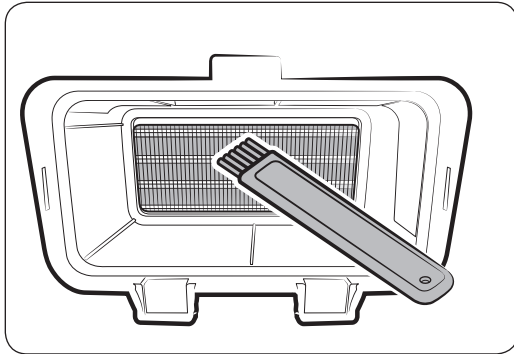


2. Unlock the **fixers (B)**.



3. Remove the **inner cover (C)**.

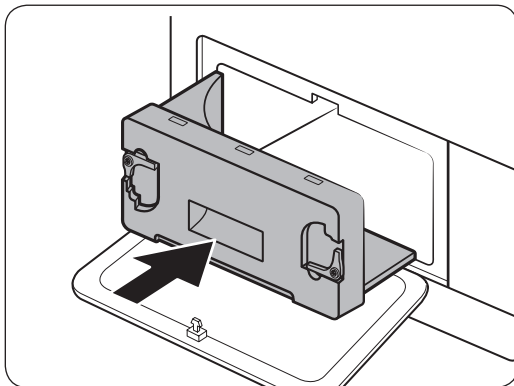
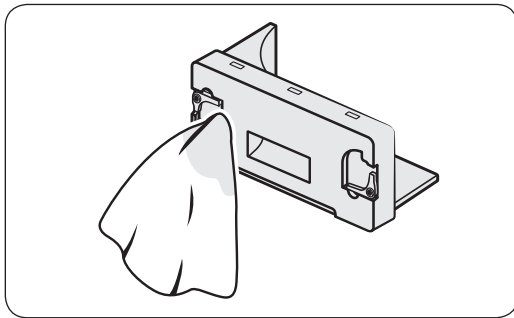
Maintenance



4. Clean the heat exchanger with the provided cleaning brush or a vacuum cleaner with a brush attachment. Take care not to bend or damage the heat exchanger fins when cleaning. This may lead to a decrease in drying performance.

⚠ CAUTION

- To avoid physical injury and burns, do not touch or clean the heat exchanger with bare hands.
 - Do not use water to clean the heat exchanger.
5. Clean the inner cover with a smooth, damp cloth.



6. Reinsert the inner cover in its original position, and then lock the fixers.
7. Close the outer cover.

📄 NOTE

After cleaning, make sure the fixers are locked.

Troubleshooting

Checkpoints

If the dryer operates abnormally, first check the list of problems in the table below and try the suggested actions.

Problem	Action
Does not run.	<ul style="list-style-type: none"> • Make sure the door is latched shut. • Make sure the power cord is plugged into a live electrical outlet. • Check your home's circuit breakers or fuses. • Press Start/Pause (Hold to Start) again if the door was opened during a cycle. • Clean the lint filter.
Does not heat.	<ul style="list-style-type: none"> • Check your home's circuit breakers or fuses. • Some cycles do not require heating. Check the selected cycle again. • Check the lint filter and heat exchanger. Clean them if necessary. • The dryer may have moved into the cool-down phase of the cycle.
Does not dry.	<ul style="list-style-type: none"> • Check all of the above, plus... • Dry heavy items and light weight items separately. • Large, bulky items, such as blankets or comforters, may require repositioning to ensure even drying. • Make sure that your washer is draining properly and extracting adequate water from the load. • The load may be too small to tumble properly. Add a few towels and restart the dryer. • The load may be too large to tumble properly. Remove some items so the dryer is half full, and then restart. • Clean the lint filter and heat exchanger.
Is noisy.	<ul style="list-style-type: none"> • Check the load for objects such as coins, loose buttons, nails, etc. Remove promptly. • Make sure the dryer is leveled properly as outlined in the installation instructions. • It is normal for the dryer to hum due to the high velocity of air moving through the dryer drum, fan, or Water Drain system.

Troubleshooting

Problem	Action
Dries unevenly.	<ul style="list-style-type: none"> Seams, pockets, and other similarly heavy areas may not be completely dry when the rest of the load has reached the selected dryness level. This is normal. You can choose a higher dryness level or a cycle that involves a higher dryness level. If one heavy item is dried with a light weight load, such as one towel with sheets, it is possible that the heavy item will not be completely dry when the rest of the load has reached the selected dryness level. For the best drying results, dry heavy items and light weight items separately.
Lint on clothes.	<ul style="list-style-type: none"> Make sure the lint filter is cleaned before every load. For clothes that naturally build up lint, clean the filter during the cycle. Some fabrics are lint producers (for example, a fuzzy white cotton towel) and they must be dried separately from clothes that are lint trappers (for example, a pair of black linen pants). Divide larger loads into smaller loads for drying. Check pockets thoroughly before drying, then dry clothes. Remove lint inside the drum before drying.
Items still wrinkled after WRINKLE RELEASE cycle.	<ul style="list-style-type: none"> Small loads of 1 to 4 items work best. Load fewer items. Load similar-type items.
Extended time.	<ul style="list-style-type: none"> Sensor Dry automatically senses the moisture in the load and shuts the dryer off when the selected dryness level is reached. The drying time can change according to the type and amount of laundry. See the cycle chart for reference. To prevent an overly long drying time, load no more than half full.

If a problem persists, contact a local Samsung service center.

Information codes

If the dryer fails to operate, you may see an information code on the display panel. To determine what you should do, check the list of codes in the table below, and then try the suggested actions.

Code		Action
tC	Air temperature sensor issue	Clean the lint filter and/or heat exchanger. If this continues, call for service.
tC5	Compressor temperature sensor issue	Wait 2-3 minutes. Turn the power on and restart.
dC	Running the dryer with door open	Close the door and restart. If this continues, call for service.
HC	Compressor overheat	Call for service.
5C	Water tank full Drain pump is out of order	Empty the water tank, turn the power on, and restart. If this continues, call for service.
AC6	Check communications between the main and the inverter PBAs.	<ul style="list-style-type: none"> Depending on the its state, the dryer may automatically return to normal operation. Turn the dryer off and turn it on again. Then, restart the cycle. If the information code continues to appear, call for service.
3C	Check the motor for operation.	<ul style="list-style-type: none"> Try restarting the cycle. If the information code continues to appear, call for service.





If any information code keeps appearing on the screen, contact a Samsung service center.

Specifications

Fabric care chart

The following symbols provide garment care direction. The clothing care labels include symbols for drying, bleaching, ironing, and dry cleaning. The use of symbols ensures consistency among garment manufacturers of domestic and imported items. Follow care label directions to optimize garment life and reduce laundering problems.

Wash cycle

	Normal
	Permanent press/Wrinkle resistant/Wrinkle control
	Gentle/Delicates
	Hand wash




Water temperature

...	Hot
..	Warm
.	Cold



NOTE

The Water Temperature table lists appropriate wash water temperatures for various items. The temperature range is 106 - 126 °F (41 - 52 °C) for Hot, 84 - 106 °F (29 - 41 °C) for Warm, and 61 - 84 °F (16 - 29 °C) for Cold. (Wash water temperature must be a minimum of 61 °F (16 °C) for detergent activation and effective cleaning.)




Bleach

	Any bleach (when needed)
	Only non-chlorine (color-safe) bleach (when needed)
	Tumble dry






Normal

	Permanent press/Wrinkle resistant/Wrinkle control
	Gentle/Delicates




Special instructions

	Line dry/Hang to dry
	Drip dry
	Dry flat







Heat setting

	High
	Medium
	Low
	Any heat
	No heat / Air






Iron dry or steam temperatures

	High
	Medium
	Low

Warning symbols for laundering

	Do not wash
	Do not wring
	Do not bleach
	Do not tumble dry
	No steam (added to iron)
	Do not iron

Dry-clean

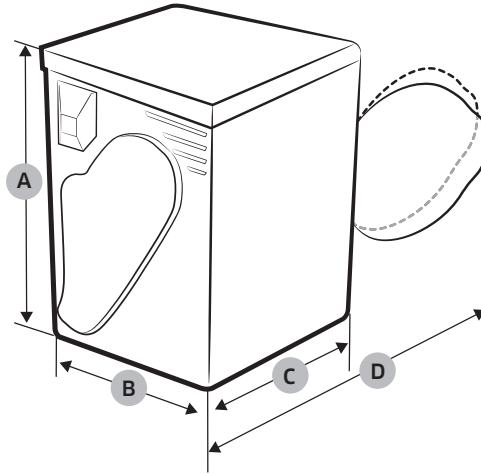
	Dry-clean
	Do not dry-clean
	Line dry / Hang to dry
	Drip dry
	Dry flat

Protecting the environment

This appliance is manufactured from recyclable materials. If you decide to dispose of this appliance, please observe local waste disposal regulations. Cut off the power cord so that the appliance cannot be connected to a power source. Remove the door so that animals and small children cannot get trapped inside the appliance.

Specifications

Specification sheet



Type		Front loading dryer
Dimensions (in. (mm))	A. Height	33.5 (850)
	B. Width	23.6 (600)
	C. Depth	26.0 (660)
	D. Depth with door open 90°	43.3 (1101)
Capacity (Cu.ft)		4.0
Weight	lb (kg)	88 (40)
Heater rating	Electric (W)	2200
Power consumption (W)		2500

Cycle chart

NOTE

For best results, follow the load size recommendations for each dry cycle.

- Large load: Fill the drum to about $\frac{3}{4}$ full. Do not add items over this level as they need to tumble freely.
- ◐ Medium load: Fill the drum to about $\frac{1}{2}$ full.
- Small load: Fill the drum with 3-5 items, not more than $\frac{1}{4}$ full.

	Cycle	Recommended items	Load size	Dryness
Sensor Dry	NORMAL	Cottons, Work clothes, Linen, Mixed loads	●	Normal Dry (Adjustable)
	HEAVY DUTY	Heavy fabrics such as jean, Corduroys, Heavy work clothes	●	Normal Dry (Adjustable)
	SHIRTS	Non-iron shirts or blouses made of synthetic fibers or blended fabrics.	◐	Normal Dry (Adjustable)
	WOOL	For machine washable and tumble dryable wool only (Maximum amount : 3 lb)	◐	Normal Dry (No change)
	ACTIVEWEAR	Water-repellent wear, performance clothes, Sports wear	◐	Normal Dry (No change)
	TOWELS	Bath towels and similar items	●	Normal Dry (Adjustable)
	PERM PRESS	Shirts, Synthetic fabrics, Knits, Wrinkle-free cottons, Permanent	◐	Normal Dry (Adjustable)
	DELICATES	Underwear, Blouses, Lingerie	◐	Normal Dry (Adjustable)
Manual Dry	40' EXPRESS	Small loads	○	-
	TIME DRY	Any load	●	-
	AIR FLUFF	Foam, rubber, plastic	◐	-
	REFRESH	Shirts, trousers, pillows	◐	-

Specifications

NOTE

- : factory setting, ●: can be selected

Cycle		Dryness setting		
		More	Normal	Less
Sensor Dry	NORMAL	●	●	●
	HEAVY DUTY	●	●	●
	SHIRTS	●	●	●
	WOOL	-	-	●
	ACTIVE WEAR	-	●	-
	TOWELS	●	●	●
	PERM PRESS	●	●	●
Manual Dry	DELICATES	●	●	●
	40' EXPRESS	-	-	-
	TIME DRY	-	-	-
	AIR FLUFF	-	-	-
REFRESH	-	-	-	

Cycle		Damp Alert	Wrinkle Prevent	Adjust Time
Sensor Dry	NORMAL	●	●	-
	HEAVY DUTY	●	●	-
	SHIRTS	●	●	-
	WOOL	-	●	-
	ACTIVE WEAR	-	●	-
	TOWELS	●	●	-
	PERM PRESS	●	●	-
Manual Dry	DELICATES	●	●	-
	40' EXPRESS	-	●	●
	TIME DRY	-	●	●
	AIR FLUFF	-	●	●
REFRESH	-	●	●	

Warranty (U.S.A)

SAMSUNG DRYER

LIMITED WARRANTY TO ORIGINAL PURCHASER WITH PROOF OF PURCHASE

This SAMSUNG brand product, as supplied and distributed by SAMSUNG ELECTRONICS AMERICA, INC. (SAMSUNG) and delivered new, in the original carton to the original consumer purchaser, is warranted by SAMSUNG against manufacturing defects in materials or workmanship for the limited warranty period, starting from the date of original purchase, of:

One (1) Year All Parts and Labor

This limited warranty is valid only on products purchased and used in the United States that have been installed, operated, and maintained according to the instructions attached to or furnished with the product. To receive warranty service, the purchaser must contact SAMSUNG at the address or phone number provided below for problem determination and service procedures. Warranty service can only be performed by a SAMSUNG authorized service center. The original dated bill of sale must be presented upon request as proof of purchase to SAMSUNG or SAMSUNG's authorized service center to receive warranty service.

SAMSUNG will provide in-home service within the contiguous United States during the warranty period at no charge, subject to availability of SAMSUNG authorized servicers within the customer's geographic area. If in-home service is not available, SAMSUNG may elect, at its option, to provide transportation of the product to and from an authorized service center. If the product is located in an area where service by a SAMSUNG authorized servicer is not available, you may be responsible for a trip charge or required to bring the product to a SAMSUNG authorized service center for service.

To receive in-home service, product must be unobstructed and accessible to the service agent.

During the applicable warranty period, a product will be repaired, replaced, or the purchase price refunded, at the sole option of SAMSUNG. SAMSUNG may use new or reconditioned parts in repairing a product, or replace the product with a new or reconditioned product. Replacement parts and products are warranted for the remaining portion of the original product's warranty or ninety (90) days, whichever is longer. All replaced parts and products are the property of SAMSUNG and you must return them to SAMSUNG.

Warranty (U.S.A)

This limited warranty covers manufacturing defects in materials or workmanship encountered in normal household, noncommercial use of this product and shall not cover the following: damage that occurs in shipment, delivery, installation, and uses for which this product was not intended; damage caused by unauthorized modification or alteration of the product; product where the original factory serial numbers have been removed, defaced, changed in any way, or cannot be readily determined; cosmetic damage including scratches, dents, chips, and other damage to the product's finishes; damage caused by abuse, misuse, pest infestations, accident, fire, floods, or other acts of nature or God; damage caused by use of equipment, utilities, services, parts, supplies, accessories, applications, installations, repairs, external wiring or connectors not supplied or authorized by SAMSUNG; damage caused by incorrect electrical line current, voltage, fluctuations and surges; damage caused by failure to operate and maintain the product according to instructions; in-home instruction on how to use your product; and service to correct installation not in accordance with electrical or plumbing codes or correction of household electrical or plumbing (i.e., house wiring, fuses, or water inlet hoses). The cost of repair or replacement under these excluded circumstances shall be the customer's responsibility.

Visits by a Service Engineer to explain functions, maintenance or installation is not covered by warranty. Please contact your Samsung call agent for help with any of these issues.

EXCLUSION OF IMPLIED WARRANTIES

IMPLIED WARRANTIES, INCLUDING THE IMPLIED WARRANTIES OF MERCHANTABILITY OR FITNESS FOR A PARTICULAR PURPOSE, ARE LIMITED TO ONE YEAR OR THE SHORTEST PERIOD ALLOWED BY LAW. Some states do not allow limitations on how long an implied warranty lasts, so the above limitations or exclusions may not apply to you. This warranty gives you specific rights, and you may also have other rights, which vary from state to state.

LIMITATION OF REMEDIES

YOUR SOLE AND EXCLUSIVE REMEDY IS PRODUCT REPAIR, PRODUCT REPLACEMENT, OR REFUND OF THE PURCHASE PRICE AT SAMSUNG'S OPTION, AS PROVIDED IN THIS LIMITED WARRANTY. SAMSUNG SHALL NOT BE LIABLE FOR SPECIAL, INCIDENTAL OR CONSEQUENTIAL DAMAGES, INCLUDING BUT NOT LIMITED TO TIME WAY FROM WORK, HOTELS AND/OR RESTAURANT MEALS, REMODELING EXPENSES, LOSS OF REVENUE OR PROFITS, FAILURE TO REALIZE SAVINGS OR OTHER BENEFITS REGARDLESS OF THE LEGAL THEORY ON WHICH THE CLAIM IS BASED, AND EVEN IF SAMSUNG HAS BEEN ADVISED OF THE POSSIBILITY OF SUCH DAMAGES. Some states do not allow exclusion or limitation of incidental or consequential damages, so the above limitations or exclusions may not apply to you. This warranty gives you specific rights, and you may also have other rights, which vary from state to state.

SAMSUNG does not warrant uninterrupted or error-free operation of the product. No warranty or guarantee given by any other person, firm, or corporation with respect to this product shall be binding on SAMSUNG.

To obtain warranty service, please contact SAMSUNG at:

Samsung Electronics America, Inc.

85 Challenger Road

Ridgefield Park, NJ 07660

1-800-SAMSUNG (726-7864)

www.samsung.com/us/support

Warranty (CANADA)

SAMSUNG DRYER

LIMITED WARRANTY TO ORIGINAL PURCHASER

This SAMSUNG brand product, as supplied and distributed by SAMSUNG ELECTRONICS CANADA, INC. (SAMSUNG) and delivered new, in the original carton to the original consumer purchaser, is warranted by SAMSUNG against manufacturing defects in materials and workmanship for a limited warranty period of:

- One (1) year part and labor

This limited warranty begins on the original date of purchase, and is valid only on products purchased and used in the Canada.

To receive warranty service, the purchaser must contact SAMSUNG for problem determination and service procedures.

Warranty service can only be performed by a SAMSUNG authorized service center.

The original dated bill of sale must be presented upon request as proof of purchase to SAMSUNG or SAMSUNG's authorized service center.

SAMSUNG will provide in-home service during the warranty period at no charge, subject to availability within the Canada.

In-home service is not available in all areas.

To receive in-home service, product must be unobstructed and accessible to the service agent.

If service is not available, SAMSUNG may elect to provide transportation of the product to and from an authorized service center.

SAMSUNG will repair, replace, or refund this product at our option and at no charge as stipulated herein, with new or reconditioned parts or products if found to be defective during the limited warranty period specified above.

All replaced parts and products become the property of SAMSUNG and must be returned to SAMSUNG.

Replacement parts and products assume the remaining original warranty, or ninety (90) days, whichever is longer.

This limited warranty covers manufacturing defects in materials and workmanship encountered in normal, noncommercial use of this product and shall not apply to the following: damage that occurs in shipment; delivery and installation; applications and uses for which this product was not intended; altered product or serial numbers; cosmetic damage or exterior finish; accidents, abuse, neglect, fire, water, lightning, or other acts of nature or God; use of products, equipment, systems, utilities, services, parts, supplies, accessories, applications, installations, repairs, external wiring or connectors not supplied or authorized by SAMSUNG that damage this product or result in service problems; incorrect electrical line voltage, fluctuations and surges; customer adjustments and failure to follow operating instructions, maintenance and environmental instructions that are covered and prescribed in the instruction book; product removal and reinstallation; problems caused by pest infestations.

This limited warranty does not cover problems resulting from incorrect electric current, voltage or supply, light bulbs, house fuses, house wiring, cost of a service call for instructions, or fixing installation errors.

SAMSUNG does not warrant uninterrupted or error-free operation of the product.

EXCEPT AS SET FORTH HEREIN, THERE ARE NO WARRANTIES ON THIS PRODUCT EITHER EXPRESS OR IMPLIED, AND SAMSUNG DISCLAIMS ALL WARRANTIES INCLUDING, BUT NOT LIMITED TO, ANY IMPLIED WARRANTIES OF MERCHANTABILITY, INFRINGEMENT OR FITNESS FOR A PARTICULAR PURPOSE.

NO WARRANTY OR GUARANTEE GIVEN BY ANY PERSON, FIRM, OR CORPORATION WITH RESPECT TO THIS PRODUCT SHALL BE BINDING ON SAMSUNG.

SAMSUNG SHALL NOT BE LIABLE FOR LOSS OF REVENUE OR PROFITS, FAILURE TO REALIZE SAVINGS OR OTHER BENEFITS, OR ANY OTHER SPECIAL, INCIDENTAL OR CONSEQUENTIAL DAMAGES CAUSED BY THE USE, MISUSE, OR INABILITY TO USE THIS PRODUCT, REGARDLESS OF THE LEGAL THEORY ON WHICH THE CLAIM IS BASED, AND EVEN IF SAMSUNG HAS BEEN ADVISED OF THE POSSIBILITY OF SUCH DAMAGES.

NOR SHALL RECOVERY OF ANY KIND AGAINST SAMSUNG BE GREATER IN AMOUNT THAN THE PURCHASE PRICE OF THE PRODUCT SOLD BY SAMSUNG AND CAUSING THE ALLEGED DAMAGE.

WITHOUT LIMITING THE FOREGOING, PURCHASER ASSUMES ALL RISK AND LIABILITY FOR LOSS, DAMAGE, OR INJURY TO PURCHASER AND PURCHASER'S PROPERTY AND TO OTHERS AND THEIR PROPERTY ARISING OUT OF THE USE, MISUSE, OR INABILITY TO USE THIS PRODUCT.

THIS LIMITED WARRANTY SHALL NOT EXTEND TO ANYONE OTHER THAN THE ORIGINAL PURCHASER OF THIS PRODUCT, IS NONTRANSFERABLE AND STATES YOUR EXCLUSIVE REMEDY.

Warranty (CANADA)

Some provinces do not allow limitations on how long an implied warranty lasts, or the exclusion or limitation of incidental or consequential damages, so the above limitations or exclusions may not apply to you.

This warranty gives you specific rights, and you may also have other rights, which vary from province to province.

To obtain warranty service, please contact SAMSUNG at:

Samsung Electronics Canada Inc.

2050 Derry Road West,

Mississauga, Ontario L5N 0B9 Canada

1-800-SAMSUNG (726-7864)

www.samsung.com/ca/support (English)

www.samsung.com/ca_fr/support (French)

Visits by a Service Engineer to explain functions, maintenance or installation is not covered by warranty.

Please contact your Samsung call agent for help with any of these issues.





Scan the QR code* or visit
www.samsung.com/spsn
 to view our helpful
 How-to Videos and Live Shows

*Requires reader to be installed on your smartphone

Scan this with your smartphone



This product qualifies for ENERGY STAR in the factory default “Normal” setting. If you change the factory default setting or enable other features, power consumption could increase and exceed the limits qualified for ENERGY STAR.

QUESTIONS OR COMMENTS?

COUNTRY	CALL	OR VISIT US ONLINE AT
U.S.A	1-800-SAMSUNG (726-7864)	www.samsung.com/us/support
CANADA	1-800-SAMSUNG(726-7864)	www.samsung.com/ca/support (English) www.samsung.com/ca_fr/support (French)



Sèche-linge

Manuel d'utilisation

DV25B6800H*

SAMSUNG

Table des matières

Consignes de sécurité	4
Remarques importantes sur les consignes de sécurité	4
Importants symboles de sécurité	4
AVERTISSEMENT DE LA PROPOSITION 65 DE L'ÉTAT DE LA CALIFORNIE	6
Consignes de sécurité importantes	6
Avertissements	7
Mises en garde	8
Avant l'installation	9
Conditions d'installation principales	9
Choix de l'emplacement d'installation	9
Normes électriques	13
Installation étape par étape	17
Changement de position de la porte	25
Avant de démarrer	29
Tri et charge	29
Conditions de fonctionnement préalables	29
Opérations	30
Panneau de commande	30
Étapes simples pour commencer	32
Présentation des cycles	33
Guide des cycles	34
Fonctions spéciales	36
Dépannage	43
Contrôles à effectuer	43
Codes d'information	45

Caractéristiques techniques	46
Tableau des symboles d'entretien des textiles	46
Protection de l'environnement	47
Fiche de spécifications	48
Tableau des cycles	49

Consignes de sécurité

Félicitations pour l'achat de votre nouveau sèche-linge Samsung. Ce manuel contient de précieuses informations concernant l'installation, l'utilisation et l'entretien de votre appareil. Prenez le temps de le lire pour tirer pleinement profit de tous les avantages et de toutes les fonctionnalités de votre sèche-linge.

L'installation du sèche-linge doit se faire conformément aux instructions du fabricant et aux réglementations locales.

Remarques importantes sur les consignes de sécurité

Veuillez lire attentivement ce manuel pour vous assurer que vous savez comment utiliser efficacement toutes les caractéristiques et fonctions de votre nouvel appareil en toute sécurité. Conservez ce manuel dans un endroit sûr situé à proximité de l'appareil afin de pouvoir facilement vous y reporter en cas de besoin. N'utilisez pas cet appareil autrement que pour l'usage auquel il est destiné, conformément aux consignes du manuel.

Les avertissements et les consignes de sécurité importantes cités dans ce manuel ne couvrent pas toutes les conditions et les situations susceptibles de se produire. Il est de votre responsabilité de faire preuve de bon sens, de prudence et de discernement lors de l'installation, de l'entretien et de l'utilisation de votre sèche-linge.

Ces consignes d'utilisation couvrant plusieurs modèles, il se peut que les caractéristiques de votre sèche-linge diffèrent légèrement de celles décrites dans ce manuel ; ainsi, certaines icônes d'avertissement peuvent ne pas s'appliquer à votre machine. Pour toute question ou renseignement, contactez le service après-vente le plus proche ou recherchez des informations et consultez l'aide en ligne sur www.samsung.com.

Importants symboles de sécurité

Signification des icônes et signes repris dans ce manuel d'utilisation :

AVERTISSEMENT

Risques ou pratiques dangereuses susceptibles de provoquer des blessures corporelles graves, le décès et/ou des dommages matériels.

ATTENTION

Risques ou pratiques dangereuses susceptibles de provoquer des blessures corporelles graves et/ou des dommages matériels.

REMARQUE

Indique qu'un risque de blessure à la personne ou de dommage matériel existe.

CONSERVEZ SOIGNEUSEMENT CES CONSIGNES

Ces symboles d'avertissement sont présents pour prévenir toute blessure, à vous-même ou à d'autres personnes.

Veuillez les respecter scrupuleusement.

Après avoir lu ce manuel, conservez-la dans un endroit sûr pour vous y référer ultérieurement.

Lisez attentivement toutes les consignes avant d'utiliser l'appareil.

Comme pour tout appareil électrique comportant des parties mobiles, des risques existent. Pour utiliser cet appareil en toute sécurité, familiarisez-vous avec son fonctionnement et faites preuve de prudence lorsque vous l'utilisez.

AVERTISSEMENT - Risque d'incendie

- L'installation du sèche-linge doit être effectuée par un technicien qualifié.
- L'installation du sèche-linge doit se faire conformément aux instructions du fabricant et aux réglementations locales.
- N'équipez jamais un sèche-linge de conduits de ventilation en plastique flexible. Si vous utilisez un conduit en métal flexible (de type aluminium), celui-ci doit être conforme aux spécifications du fabricant et adapté à une utilisation sur sèche-linge. Les matériaux flexibles utilisés dans les systèmes d'évacuation de l'air ont tendance à se plier, à s'écraser et à retenir les peluches de tissu. Ces conditions empêchent une évacuation adéquate de l'air et augmentent les risques d'incendie.
- Pour réduire les risques de blessure grave ou de décès, observez attentivement les consignes d'installation.
- Conservez soigneusement ces instructions.

AVERTISSEMENT - Pour réduire le risque d'incendie ou d'explosion :

- Ne faites sécher aucun article ayant été précédemment en contact par nettoyage, lavage ou trempage avec de l'essence, des solvants de nettoyage à sec ou toute autre substance inflammable ou explosive. En effet, ceux-ci diffusent des vapeurs pouvant s'enflammer ou exploser. Ne placez aucun article ayant été en contact avec un solvant ou des matières solides ou liquides inflammables dans le sèche-linge tant que toutes les traces de ces produits n'ont pas été éliminées.
De nombreux produits inflammables sont utilisés dans l'environnement domestique comme l'acétone, l'alcool dénaturé, l'essence, le kérosène, certains nettoyants ménagers sous forme liquide, certains détachants, la térébenthine, les cires et les produits décapants.
- Ne faites jamais sécher à chaud les articles à base de caoutchouc mousse (également appelé mousse de latex) ou de matériaux dont la texture ressemble à celle du caoutchouc. En effet, les matières en caoutchouc mousse peuvent, dans certaines circonstances, s'enflammer spontanément.

CONSERVEZ SOIGNEUSEMENT CES CONSIGNES

Consignes de sécurité

AVERTISSEMENT - Risque d'incendie ou d'explosion:

- Si les avertissements de sécurité ne sont pas suivis à la lettre, des blessures graves voire mortelles ou des dégâts matériels pourraient survenir.
- N'entreposez ni n'utilisez jamais d'essence ou d'autres produits inflammables à proximité de cet appareil ou de tout autre appareil.
- L'installation et l'entretien doivent être effectués par un installateur qualifié, une agence spécialisée dans l'entretien.

AVERTISSEMENT DE LA PROPOSITION 65 DE L'ÉTAT DE LA CALIFORNIE

AVERTISSEMENT

Peut causer le cancer et avoir des effets nocifs sur la reproduction – www.P65Warnings.ca.gov.

Consignes de sécurité importantes

AVERTISSEMENT

Afin de réduire les risques d'incendie, d'électrocution ou de blessures physiques lors de l'utilisation de l'appareil, des précautions de base doivent être prises :

1. Lisez toutes les consignes de sécurité avant d'utiliser l'appareil.
2. Ne faites pas sécher de linge ayant été en contact par nettoyage, lavage ou trempage avec de l'essence, des solvants de nettoyage à sec ou tout autre substance inflammable ou explosive ; ces produits dégagent en effet des vapeurs qui risqueraient de s'enflammer ou d'exploser.
3. N'utilisez pas le sèche-linge pour faire sécher des vêtements comportant des traces de substances inflammables telles que de l'huile végétale, de l'huile de cuisson, de l'huile de machine, des produits chimiques inflammables, des solvants, etc. ou des objets comportant des traces de cire ou de produits chimiques Ils risqueraient de prendre feu.
4. N'entreposez ni n'utilisez jamais d'essence ou d'autres produits inflammables à proximité de cet appareil ou de tout autre appareil.
5. Ne laissez pas les enfants jouer sur ou dans l'appareil. Une surveillance attentive s'impose lorsque l'appareil est utilisé à proximité d'enfants.
6. Avant la mise hors service ou au rebut de l'appareil, retirez le hublot du tambour.
7. Ne tentez pas d'ouvrir l'appareil lorsque le tambour est en mouvement.

CONSERVEZ SOIGNEUSEMENT CES CONSIGNES

8. N'installez et n'entreposez jamais cet appareil dans un endroit exposé aux intempéries.
9. N'utilisez pas les commandes internes inutilement.
10. Ne procédez pas à la réparation ou au remplacement des pièces de l'appareil et ne tentez pas non plus de le réparer vous-même, sauf si le manuel d'entretien ou de réparation contient des recommandations spécifiques en la matière que vous comprenez et êtes en mesure d'exécuter.
11. N'utilisez aucun adoucissant ou produit antistatique autre que ceux recommandés par le fabricant du produit ou de l'appareil.
12. Nettoyez le filtre avant ou après chaque utilisation.
13. Ne sélectionnez pas une température élevée pour faire sécher des articles contenant du caoutchouc mousse ou des matériaux dont la texture est similaire à celle du caoutchouc.
14. L'intérieur de l'appareil doit être nettoyé régulièrement, par un technicien de maintenance qualifié.
15. Ne faites pas sécher du linge ayant été en contact avec de l'huile de cuisson. Il risquerait de s'enflammer. Pour réduire le risque d'incendie dû à du linge contaminé, la phase finale d'un cycle du sèche-linge se fait sans chaleur (période de refroidissement). Évitez d'arrêter un sèche-linge avant la fin de son cycle de séchage, sauf si vous sortez et étendez immédiatement le linge afin que la chaleur se dissipe.
16. Cet appareil doit être mis à la terre. Reportez-vous aux chapitres « Normes électriques » et « Mise à la terre » dans la section « Installation ».
17. Ne laissez pas les enfants jouer sur ou dans l'appareil. Une surveillance attentive s'impose lorsque l'appareil est utilisé à proximité d'enfants.
18. N'insérez pas votre main sous le sèche-linge.
 - Cela pourrait provoquer des blessures.
19. Veillez à ce que les doigts des enfants ne soient pas pris dans la porte en la fermant.
 - Cela pourrait provoquer des blessures.

Avertissements

AVERTISSEMENT

- Vérifiez que les poches sont vides. Les petits objets aux bords irréguliers (pièces de monnaie, canifs, épingles, etc.) risquent en effet d'endommager votre sèche-linge.
- Bouts tranchants – afin de réduire tout risque de blessure, faites attention pendant le nettoyage du condenseur ou des fentes de l'évaporateur.
- La mise à la terre de certaines pièces internes n'a volontairement pas été effectuée; ces éléments peuvent donc présenter un risque d'électrocution (lors de l'entretien uniquement). Technicien de maintenance - Ne touchez pas les pièces suivantes lorsque l'appareil est sous tension: Panneau de commande, Moteur, Pompe de vidange.

CONSERVEZ SOIGNEUSEMENT CES CONSIGNES

Consignes de sécurité

Mises en garde

ATTENTION

- Ne laissez ni les enfants ni les animaux domestiques jouer sur, dans ou devant l'appareil. Une surveillance attentive s'impose lorsque l'appareil est utilisé à proximité d'enfants ou d'animaux domestiques.
- Avant de mettre au rebut ou hors service votre sèche-linge, retirez le hublot du compartiment de séchage pour éviter que des enfants ou des animaux ne se trouvent piégés à l'intérieur de l'appareil.
- N'ouvrez pas le sèche-linge lorsque le tambour est en mouvement.
- N'installez et n'entrez jamais cet appareil dans un endroit exposé aux intempéries.
- N'utilisez pas les commandes du sèche-linge inutilement.
- Ne procédez pas à la réparation, au remplacement ou à l'entretien des pièces de l'appareil sauf si le manuel d'entretien contient des recommandations spécifiques en la matière, si vous comprenez ces recommandations et si vous disposez des compétences requises pour réaliser l'opération.
- N'utilisez aucun adoucissant ou produit anti-statique autre que ceux recommandés par le fabricant.
- Nettoyez le filtre avant ou après chaque utilisation.
- Évitez toute accumulation de peluches, poussières et saletés à proximité de l'orifice d'évacuation.
- L'intérieur du sèche-linge et du conduit d'évacuation doit être nettoyé régulièrement, par un technicien de maintenance qualifié.
- Cet appareil doit être correctement mis à la terre. Ne branchez jamais le cordon d'alimentation sur une prise qui n'est pas correctement reliée à la terre ou qui n'est pas conforme aux réglementations locales et nationales en vigueur. Consultez les consignes d'installation pour relier cet appareil à la terre.
- Ne vous asseyez pas sur le sèche-linge.
- Évitez de faire sécher des vêtements comportant de grandes boucles, des boutons ou d'autres accessoires en métal lourd.
- Installez-le et utilisez-le conformément aux consignes du fabricant.
- N'introduisez aucun article imprégné ou tâché d'huile végétale ou alimentaire dans votre sèche-linge. Même une fois lavés, ces articles peuvent encore contenir une quantité non négligeable d'huile.
- Toute huile résiduelle risque de s'enflammer spontanément. Le potentiel de combustion spontanée augmente lorsque les articles imbibés d'huile végétale ou alimentaire sont exposés à la chaleur. Les sources de chaleur comme votre sèche-linge peuvent chauffer ces articles, engendrant une oxydation de l'huile. Cette oxydation crée elle-même de la chaleur. Si cette chaleur ne se dissipe pas, les articles deviennent suffisamment brûlants pour s'enflammer. Entasser, empiler ou stocker ce type d'articles peut empêcher la dissipation de la chaleur et être à l'origine d'un risque d'incendie.
- Tout le linge imbibé d'huile végétale ou alimentaire, qu'il soit lavé ou non, peut s'avérer dangereux. Le fait de laver ces articles à l'eau chaude avec une dose supplémentaire de lessive réduit ce risque, sans pour autant le supprimer. Utilisez toujours le programme de refroidissement Cool Down (Refroidissement), afin de réduire leur température. Ne retirez jamais ces articles du sèche-linge lorsqu'ils sont chauds ; de même, n'interrompez pas le programme de séchage tant que le cycle Cool Down (Refroidissement) n'est pas terminé. N'entassez et n'empilez pas ces articles lorsqu'ils sont chauds.

CONSERVEZ SOIGNEUSEMENT CES CONSIGNES

Avant l'installation

Lisez attentivement les instructions suivantes avant d'installer le sèche-linge et conservez-les dans un endroit sûr afin de pouvoir vous y reporter ultérieurement.

AVERTISSEMENT

La mise à la terre de certaines pièces internes n'a volontairement pas été effectuée; ces éléments peuvent donc présenter un risque d'électrocution (lors de l'entretien uniquement). Technicien de maintenance - Ne touchez pas les pièces suivantes lorsque l'appareil est sous tension: Panneau de commande, Moteur, Pompe de vidange.

Conditions d'installation principales

- Une prise électrique avec mise à la terre.
- Un cordon d'alimentation pour sèche-linge électrique (à l'exception du Canada).
- Évier ou tuyau d'évacuation requis si vous souhaitez évacuer l'eau captée pendant le séchage grâce au long tuyau de vidange fourni. (Voir page 20.)

AVERTISSEMENT

Retirez le hublot des appareils mis au rebut pour éviter qu'un enfant ne s'étouffe à l'intérieur.

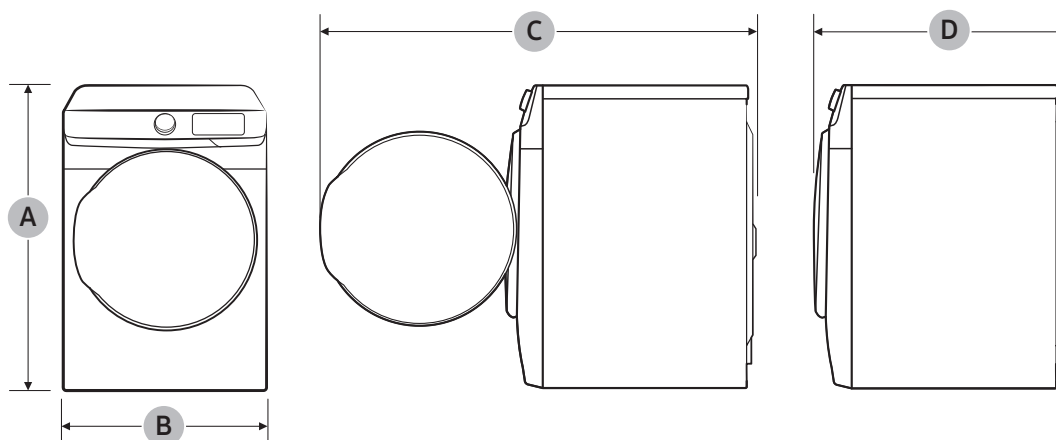
Choix de l'emplacement d'installation

Le sèche-linge doit être installé dans un endroit suffisamment spacieux, tant à l'avant pour permettre de charger l'appareil, qu'à l'arrière pour le système d'évacuation. Ce sèche-linge est équipé en usine pour une évacuation arrière en option. Si vous préférez l'évacuation par le bas, la droite ou la gauche, utilisez le kit d'évacuation auxiliaire. Les instructions sont fournies avec le kit. Veillez à ce que la pièce dans laquelle se trouve le sèche-linge soit suffisamment aérée. Vous devez donc installer le sèche-linge dans une pièce correctement ventilée.

Vous ne devez ni installer ni stocker le sèche-linge dans un endroit où il pourrait être en contact avec de l'eau et/ou exposé aux intempéries. Vous devez maintenir le sèche-linge à l'écart de tous matériaux combustibles, essence et autres vapeurs et liquides inflammables. Un sèche-linge produit des peluches combustibles. Évitez donc que des peluches ne s'accumulent autour.

Avant l'installation

Dimensions



Type	Sèche-linge à chargement frontal	
Modèles	DV25B6800H*	
Dimensions (po (mm))	A. Hauteur totale	33,5 (850)
	B. Largeur	23,6 (600)
	C. Profondeur avec hublot ouvert	43,3 (1101)
	D. Profondeur	26,0 (660)

Dégagement requis

Ce dégagement requis concerne uniquement les sèche-linge.

REMARQUE

- Pour connaître le dégagement requis pour le lave-linge, reportez-vous au manuel d'utilisation du lave-linge.
- Si les dégagements requis pour le lave-linge et le sèche-linge sont différents, respectez celui dont la valeur est la plus élevée.

Encastrement dans une niche ou installation dans un placard

AVERTISSEMENT

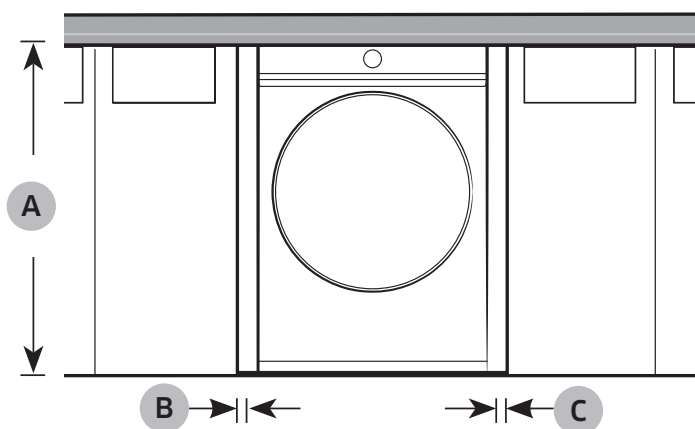
- L'évacuation du sèche-linge doit se faire vers l'extérieur afin de réduire les risques d'incendie si l'appareil est installé dans une niche ou un placard.
- Vous ne devez installer aucun autre appareil fonctionnant au fuel dans le même placard que le sèche-linge.
- Placez le sèche-linge à 18 pouces (460 mm) minimum au-dessus du sol pour une installation dans un garage.

Espace minimum pour un fonctionnement stable :

Côtés	Haut	Arrière	Avant
1 po (25 mm)	1 po (25 mm)	2 po (51 mm)	1 po (25 mm)

Si le lave-linge et un sèche-linge sont tous deux installés au même endroit, le panneau avant de la niche ou du placard doit être doté de deux ouvertures non obstruées ; assurez-vous d'avoir une surface totale combinée d'au moins 72 po² (465 cm²).

Installation sous plan

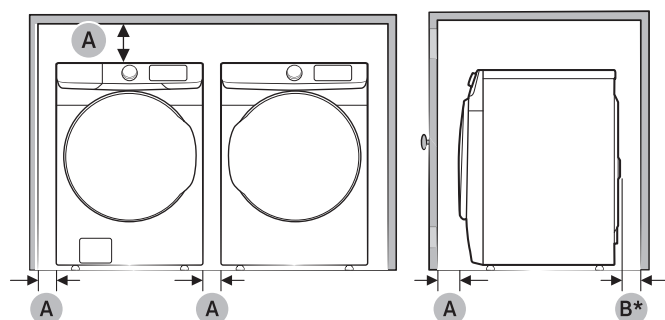


A	34,4 po (875 mm)
B	1 po (25 mm)
C	1 po (25 mm)

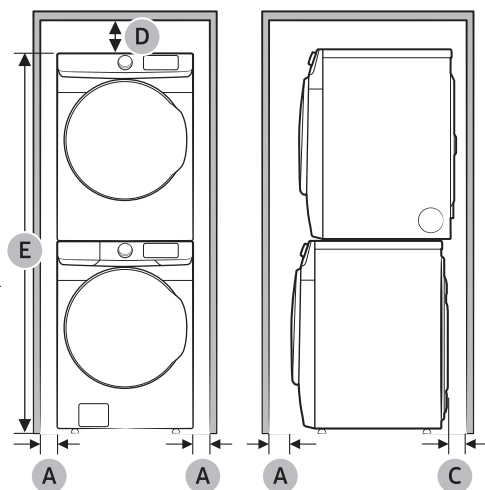
Avant l'installation

Ce dégagement requis concerne l'installation d'une paire lave-linge/sèche-linge.

Installation côte à côte



Installation empilée



A	1 po (25 mm)
B*	2 po (51 mm)
C	2 po (51 mm)
D	6 po (152 mm)
E	67 po (1702 mm)

(B*): Ce dégagement requis concerne uniquement les sèche-linge. Pour connaître le dégagement requis pour le lave-linge, reportez-vous au manuel d'utilisation du lave-linge.

Un espace minimum (B*) de 3 po est nécessaire pour une meilleure performance du sèche-linge. En cas d'espace insuffisant pour l'installation du conduit, un kit de ventilation de taille appropriée est requis.

REMARQUE

Superposition (SK-DH)

De nombreux lave-linge et sèche-linge Samsung peuvent être superposés pour optimiser l'espace utile. Les kits de superposition sont en vente chez votre revendeur Samsung. Pour plus de détails concernant la superposition et les modèles compatibles, reportez-vous au manuel d'utilisation inclus dans le kit de superposition que vous avez acheté.

Normes électriques

Le schéma de câblage figure sur une plaque située sous le panneau de commande ou le panneau arrière.

AVERTISSEMENT

- Un branchement incorrect du conducteur de mise à la terre peut créer un risque d'électrocution. Demandez conseil à un électricien ou un réparateur agréé si vous avez des doutes quant à la mise à la terre correcte de votre sèche-linge. Ne modifiez pas la prise fournie avec le sèche-linge ; si celle-ci ne correspond pas à la prise secteur, demandez à un électricien qualifié d'installer une prise adéquate.
- Pour prévenir tout risque d'incendie, d'électrocution ou de blessure, l'intégralité du câblage et des mises à la terre doit être réalisée conformément aux réglementations locales ou, en l'absence de ces dernières, conformément au code électrique national (National Electrical Code) ANSI/NFPA No. 70 (dernières révisions) (pour les États-Unis) ou aux dispositions canadiennes sur l'électricité CSA C22.1 (dernières révisions) et aux réglementations locales. Il relève de votre responsabilité de fournir des services électriques adaptés à votre sèche-linge.

Mise à la terre

Ce sèche-linge doit être mis à la terre. En cas de panne ou de défaillance, la mise à la terre réduira le risque de surtension électrique en fournissant un circuit de fuite au courant électrique.

AVERTISSEMENT

- Votre sèche-linge est doté d'un cordon en option équipé d'un conducteur de mise à la terre et d'une prise de terre. Ce cordon est vendu séparément.
- La prise doit être branchée sur une prise secteur appropriée, correctement installée et mise à la terre conformément aux dispositions et aux réglementations en vigueur.
- Ne modifiez pas la prise fournie avec le sèche-linge ; si celle-ci ne correspond pas à la prise secteur, demandez à un électricien qualifié d'installer une prise adéquate.
- Si vous n'utilisez pas de cordon d'alimentation et que le sèche-linge électrique doit être branché en permanence, reliez-le à une prise de terre métallique permanente ou connectez un conducteur de mise à la terre aux conducteurs du circuit et à la borne ou au fil de terre de l'appareil.

Avant l'installation

Raccordement électrique

Avant toute mise en marche ou test, suivez toutes les consignes de mise à la terre présentées dans la section « **Mise à la terre** ». Nous vous recommandons de relier votre sèche-linge à une dérivation individuelle ou à un circuit distinct.

N'utilisez pas de rallonge avec cet appareil.

Pour les États-Unis uniquement

Aux États-Unis, la plupart des sèche-linge requièrent une alimentation en 240 V c.a., 60 Hz, tandis que d'autres requièrent une alimentation en 208 V c.a., 60 Hz. Vous trouverez les spécifications électriques sur l'étiquette située derrière le hublot. Un disjoncteur ou un fusible de 30 A est requis de chaque côté de la ligne.

- Si vous utilisez un cordon d'alimentation, branchez ce dernier sur une prise 30 A.
- Le cordon d'alimentation n'est pas fourni avec les sèche-linge version électrique aux États-Unis. Ce cordon est vendu séparément.

Risque d'électrocution

AVERTISSEMENT

- Lorsque les dispositions locales le permettent, vous pouvez brancher le sèche-linge électrique à l'aide d'un nouveau kit de cordon d'alimentation, portant une mention de compatibilité avec les sèche-linge et homologué UL. Ce cordon doit supporter une alimentation nominale de 240 V, 30 A à partir d'un cordon doté de trois conducteurs en cuivre N°10 et terminé par des bornes en boucle fermée, des cosses à fourches ouvertes aux extrémités relevées ou des conducteurs étamés.

- Ne réutilisez pas le cordon d'alimentation d'un sèche-linge usagé. Le câblage électrique du cordon d'alimentation doit être raccordé au niveau du boîtier électrique du sèche-linge au moyen d'un réducteur de tension homologué UL.
- La mise à la terre via le conducteur neutre est interdite pour (1) les nouvelles installations de circuit, (2) les mobil homes, (3) les véhicules de camping et (4) les zones où les réglementations locales interdisent ce type de mise à la terre. (Dans ces cas-là, utilisez une fiche quadripolaire pour une prise 4 fils, de type NEMA 14-30R.)

Pour le Canada uniquement

- Vous devez utiliser une alimentation électrique de 240 V c.a., 60 Hz, et un disjoncteur ou fusible de 30 A aux deux extrémités de la ligne.

REMARQUE

Tous les modèles canadiens sont livrés avec un cordon d'alimentation intégré. Vous devez brancher le cordon d'alimentation sur une prise 30 A.

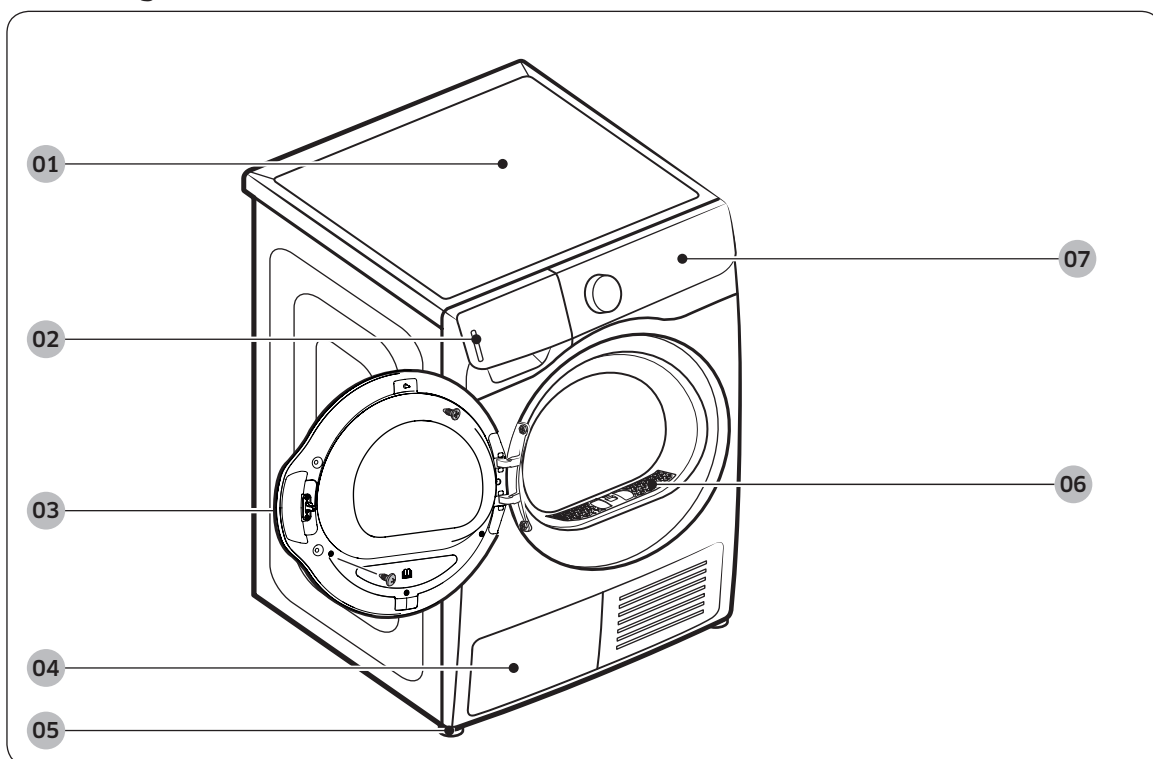
Au Canada, vous pouvez convertir un sèche-linge en 208 V.

Installation

Pièces incluses

Déballer soigneusement le sèche-linge. Maintenez tous les matériaux d'emballage hors de la portée des enfants. Les pièces et l'emplacement des pièces indiqués ci-dessous peuvent différer de ceux sur votre sèche-linge. Avant l'installation, assurez-vous que le sèche-linge possède toutes les pièces répertoriées ici. Si le sèche-linge et/ou des pièces sont endommagées ou manquantes, prenez contact avec le service clientèle Samsung le plus proche.

Sèche-linge en un clin d'œil



01 Capot supérieur

03 Hublot

05 Pied réglable

07 Panneau de commande

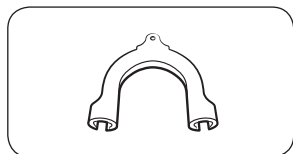
02 Réservoir d'eau

04 Échangeur de chaleur

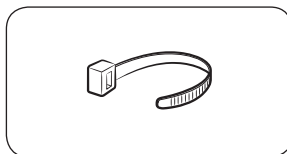
06 Filtre à peluches

Installation

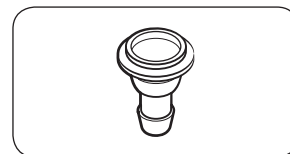
Accessoires (fournis)



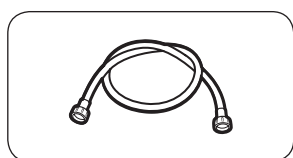
Guide du tuyau



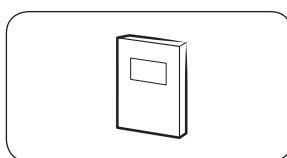
Serre-câble



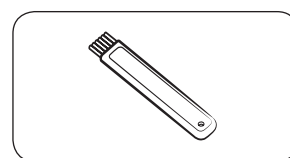
Raccord de tuyau



Long tuyau de vidange
(6,5 pi/2 m)

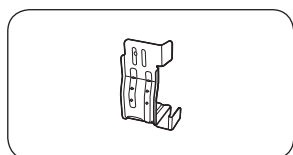


Manuel d'utilisation



Brosse de nettoyage

Accessoires (modèle Canada uniquement)



Kit de support et
d'empilage
(SK-DH)

REMARQUE

- Le kit de superposition permet de placer le sèche-linge par-dessus un lave-linge. Veuillez noter que le kit de superposition ne peut être utilisé qu'avec les lave-linge et sèche-linge Samsung. Pour acheter un kit de superposition avec support, prenez contact avec un centre de service clientèle ou un revendeur local d'appareils. Le kit de superposition diffère selon le modèle de lave-linge.
- Pour obtenir des instructions de superposition avec le sèche-linge, reportez-vous au manuel d'installation inclus dans le kit de superposition.
- Pour obtenir des informations sur la disponibilité du kit de superposition pour un modèle spécifique, reportez-vous au manuel d'installation inclus dans le kit de superposition.

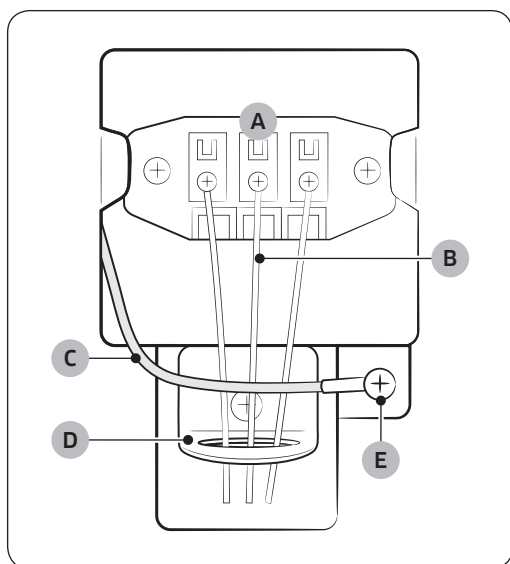
Installation étape par étape

Assurez-vous que l'installation du sèche-linge est effectuée par un technicien qualifié. Les instructions d'installation étape par étape commencent ci-dessous.

ÉTAPE 1 Câblage électrique

Tout d'abord, consultez la section « Normes électriques », puis suivez les instructions indiquées sur cette page ou sur la page suivante. Les instructions concernant les branchements à 3 fils figurent sur cette page. Les instructions concernant les branchements à 4 fils figurent sur la page suivante.

Pour un branchement à 3 fils



- A. Vis centrale argentée du bornier
- B. Fil neutre (blanc ou central)
- C. Fil de terre neutre (blanc ou vert/jaune)
- D. Réducteur de tension $\frac{3}{4}$ " (1,9 cm) homologué UL
- E. Connecteur de terre externe

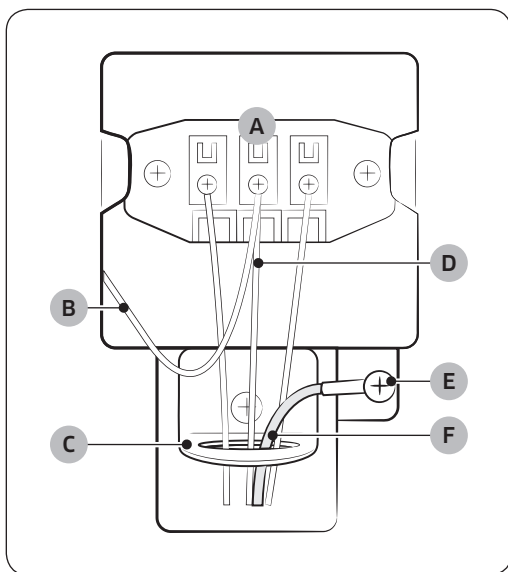
1. Desserrez ou retirez les vis du bornier central.
2. Reliez le fil neutre (blanc ou central) du câble d'alimentation au centre, la vis argentée centrale du bornier. Serrez les vis.
3. Reliez les autres fils aux bornes à vis extérieures. Serrez les vis.
4. Serrez les vis de libération de tension.
5. Insérez le cache du bornier dans le panneau arrière du sèche-linge. Fixez ensuite le cache à l'aide d'une vis.

⚠ ATTENTION

- Lors de la conversion d'un système à 4 fils en système à 3 fils, le conducteur de terre doit être rebranché sur le support du bornier, afin de mettre le châssis du sèche-linge à la terre sur le conducteur neutre.
- Il est recommandé d'utiliser des borniers à anneau. Si vous utilisez des cosses à barrette, veillez à ce qu'elles soient parfaitement mises en place.
- Branchez le cordon d'alimentation et vérifiez la tension sur les bornes L1/L2/N. Si la tension est basse, l'appareil risque de ne pas chauffer correctement.

Installation

Pour un branchement à 4 fils



- A. Vis centrale argentée du bornier
- B. Fil de terre neutre (blanc ou vert/jaune)
- C. Réducteur de tension $\frac{3}{4}$ " (1,9 cm) homologué UL
- D. Fil neutre (blanc ou central)
- E. Connecteur de terre externe
- F. Fil vert ou en cuivre nu du cordon d'alimentation

1. Retirez la vis du connecteur de terre externe et reliez le fil de terre (vert ou dénudé) du câble d'alimentation à la vis.

⚠ ATTENTION

- Pour relier le fil de terre à la position neutre sans utiliser le contact A (mise à la terre du châssis), contactez un technicien. Aucune pièce ne doit être réparée par l'utilisateur.
 - Il est recommandé d'utiliser des borniers à anneau. Si vous utilisez des cosses à barrette, veillez à ce qu'elles soient parfaitement mises en place.
2. Desserrez ou retirez les vis du bornier central.
 3. Reliez le fil neutre (blanc ou central) et le fil de terre (blanc) à la borne à vis centrale argentée du bornier. Serrez la vis.
 4. Reliez les autres fils aux bornes à vis extérieures. Serrez les vis.
 5. Serrez les vis de libération de tension.
 6. Insérez la languette du cache du bornier dans l'encoche arrière du sèche-linge. Fixez ensuite le cache à l'aide d'une vis.

ATTENTION

Branchez le cordon d'alimentation et vérifiez la tension sur les bornes L1/L2/N. Si la tension est basse, l'appareil risque de ne pas chauffer correctement.

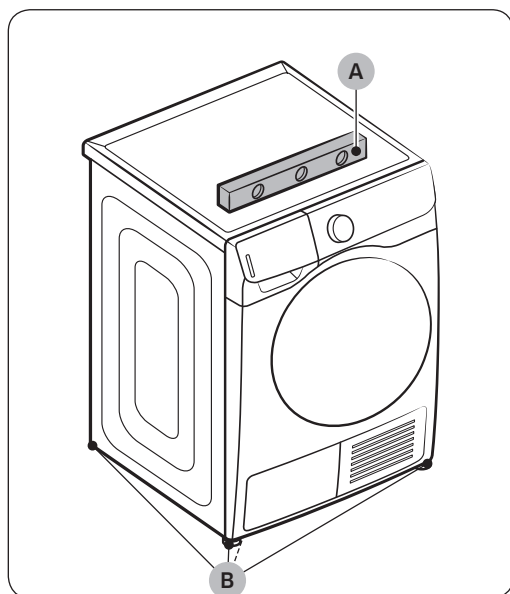
AVERTISSEMENT

- Tous les modèles destinés aux États-Unis sont conçus pour un branchement à 3 fils. Le châssis du sèche-linge est relié à la terre par un conducteur neutre au niveau du bornier. Un branchement à 4 fils est requis dans les cas suivants : nouvelles constructions, habitations rénovées, mobil-homes, réglementations locales n'autorisant pas la mise à la terre via le conducteur neutre. Si vous utilisez un système à 4 fils, vous ne pouvez pas mettre le châssis du sèche-linge à la terre via le conducteur neutre au niveau du bornier.
- Retirez le cache du bornier.
- Introduisez le cordon d'alimentation équipé d'un réducteur de tension homologué UL par l'orifice découpé dans le panneau à proximité du bornier.
- Vous devez impérativement utiliser un réducteur de tension.
- Ne desserrez pas les écrous déjà fixés au bornier. Assurez-vous qu'ils sont bien serrés.
- Utilisez une douille longue de 3/8" (1 cm).
- Depuis le 1er janvier 1996, le Code électrique national requiert que les nouveaux câblages (non existants) utilisent un branchement à 4 fils pour ce sèche-linge.

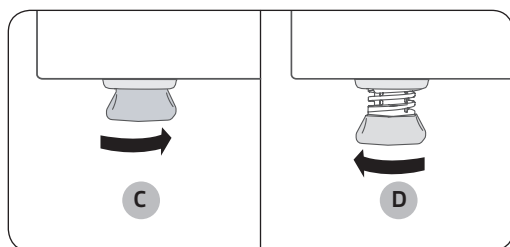
ÉTAPE 2 Mise à niveau du sèche-linge

Avant d'installer le sèche-linge, assurez-vous d'avoir lu la section Conditions d'installation en page 9. Veuillez noter que les instructions suivantes concernant une installation sans utiliser de tuyau de vidange. Pour des instructions sur l'utilisation d'un tuyau de vidange, voir la section suivante, Tuyau de vidange (si nécessaire) à la page 20. Pour des questions pratiques, pensez à installer le sèche-linge près de votre lave-linge.

Installation



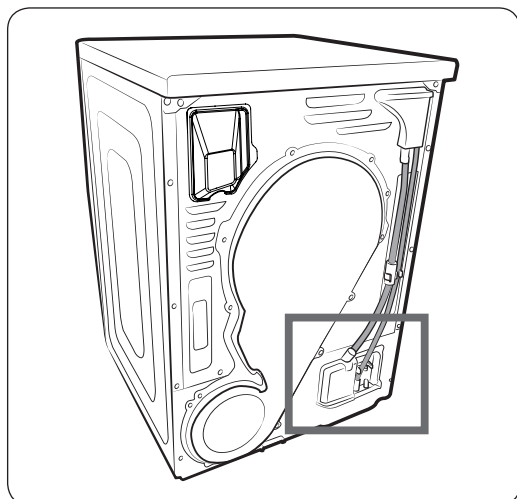
1. Placez délicatement le sèche-linge à l'emplacement souhaité.
2. Utilisez un **niveau (A)** et vérifiez que le sèche-linge est bien à plat de gauche à droite et de l'avant à l'arrière.
3. Si le sèche-linge n'est pas de niveau, ajustez le **pied de réglage (B)**. Faites tourner le pied dans le sens antihoraire pour le rétracter. Faites tourner le pied dans le sens horaire pour le déployer.
4. Une fois le sèche-linge de niveau, assurez-vous qu'il repose fermement sur le sol.
5. Branchez le sèche-linge.



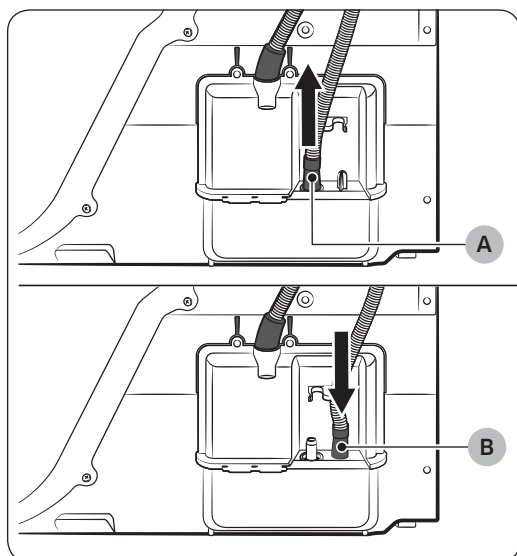
REMARQUE

- Le sèche-linge peut être mis de niveau à l'aide de l'un ou des deux pieds avant et arrière du sèche-linge.
- Pour positionner le sèche-linge à la même hauteur que votre lave-linge, **rétractez entièrement (C)** les pieds réglables en les faisant tourner dans le sens antihoraire, puis **desserrez-les (D)** en les faisant tourner dans le sens horaire.
- Déployez le pied de réglage jusqu'à la hauteur nécessaire. Si vous étendez les pieds réglables plus que nécessaire, les vibrations seront plus importantes.

Tuyau de vidange (si nécessaire)

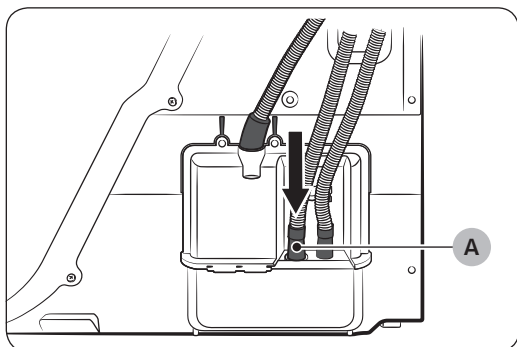


Important : Ce sèche-linge est livré avec un réservoir d'eau intégré qui stocke l'eau captée par le sèche-linge lors du séchage des vêtements. Le réservoir d'eau doit être vidé manuellement avant ou après chaque charge. Voir page 45. Cependant, vous pouvez installer le long tuyau d'évacuation fourni comme décrit ci-dessous et faire en sorte que l'eau se vide directement dans un évier ou un tuyau d'évacuation situé à proximité.



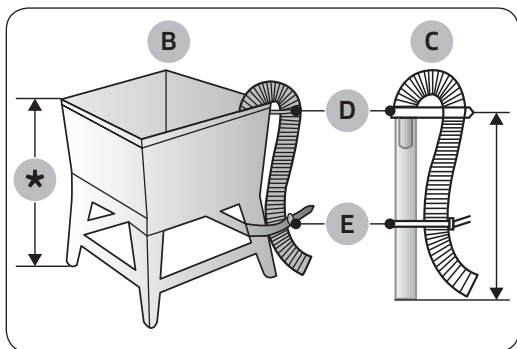
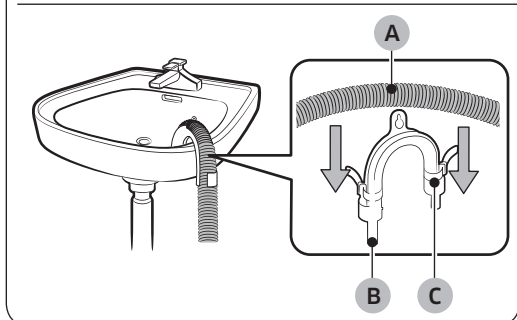
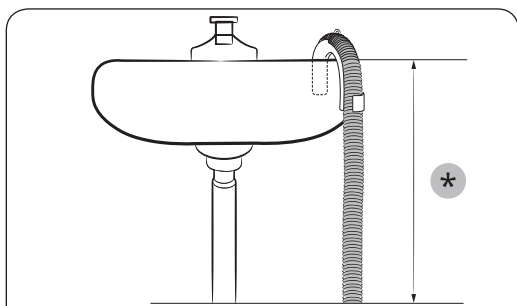
1. Retirez le tuyau de vidange au niveau de l'orifice (A) et insérez-le dans l'orifice (B).

Installation



2. Insérez une extrémité du tuyau en option (long tuyau de vidange) dans l'orifice (A).
3. Placez l'autre extrémité (la sortie) au-dessus d'un évier ou raccordez-la au tuyau d'évacuation d'un évier. Voir les instructions ci-dessous ou à la page suivant.

Au-dessus d'un évier :



1. Veillez à placer l'extrémité du tuyau accessoire à **3 pi (90 cm)** maximum au-dessus du fond du sèche-linge.
2. Pour plier le tuyau accessoire de manière à ce qu'il s'accroche au-dessus du bord de l'évier, utilisez le **guide de tuyau (B)** en plastique fourni et fixez le guide au mur avec un crochet ou au robinet avec un morceau de ficelle. Assemblez le **tuyau de vidange (A)** et le **guide de tuyau (B)**, et fixez-les à l'aide du **serre-câble (C)**.

⚠ ATTENTION

Ne prolongez pas le tuyau de vidange en y raccordant un autre tuyau. De l'eau risque de fuir au niveau de la zone de raccordement. Si vous avez besoin de plus de longueur, utilisez un tuyau de vidange plus long.

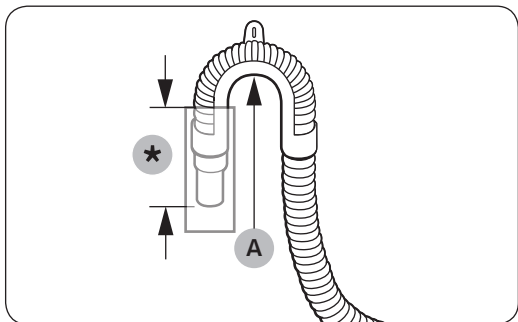
Dans une conduite d'évacuation ou un bac à laver

La cuve à lessive (B) ou le tuyau vertical (C) ne doit pas être plus haut que 35,4 po (90 cm).

Assurez-vous que le tuyau de vidange et la conduite d'évacuation ne sont pas étanches à l'air.

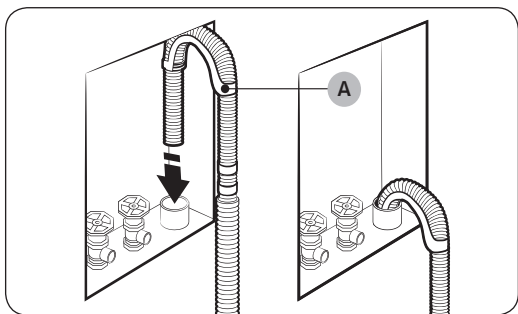
📄 REMARQUE

D: Fixation pour tuyau / E: Collier de fixation



⚠ ATTENTION

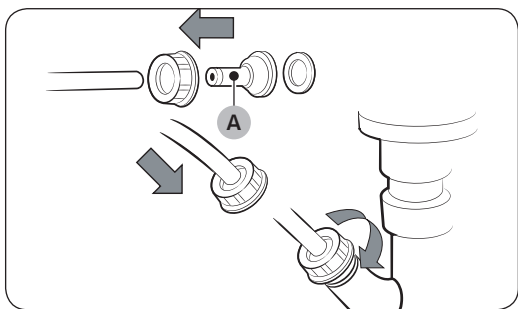
- Raccordez le **guide du tuyau de vidange (A)** à maximum 6 pouces (15 cm)* de distance de l'extrémité du tuyau de vidange. Si le tuyau de vidange se prolonge au delà de l'extrémité du guide de tuyau, des moisissures ou microorganismes pourraient se diffuser à l'intérieur du sèche-linge.
- Le tuyau de vidange peut être installé jusqu'à 35,4 pouces (90 cm) de hauteur, mais la capacité de drainage peut être réduite à cette hauteur. Une trop grande quantité d'eau restant dans le sèche-linge peut entraîner un mauvais fonctionnement.



Système de vidange du tube vertical mural

Le tuyau de vidange doit être placé dans un système de vidange de tube vertical mural. Pour que l'extrémité du tuyau de vidange reste courbé, utilisez le **guide plastique (A)** fourni. Fixez le guide au mur en utilisant un crochet pour assurer une vidange stable.

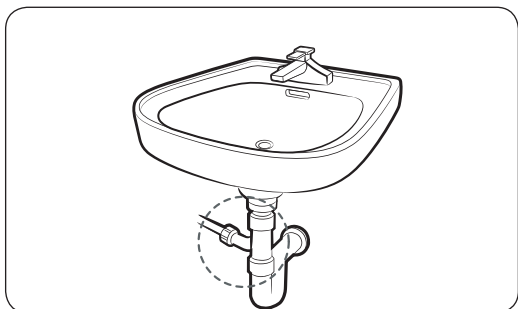
En utilisant le tuyau de vidange de l'évier :



1. Assemblez le **accord de tuyau (A)** et attachez-le sur l'extrémité du tuyau en option comme indiqué.

⚠ ATTENTION

Pour éviter toute fuite d'eau, assurez-vous de relier fermement le tuyau et le raccord.



2. Raccordez directement l'adaptateur de tuyau au conduit de vidange du lavabo.

Installation

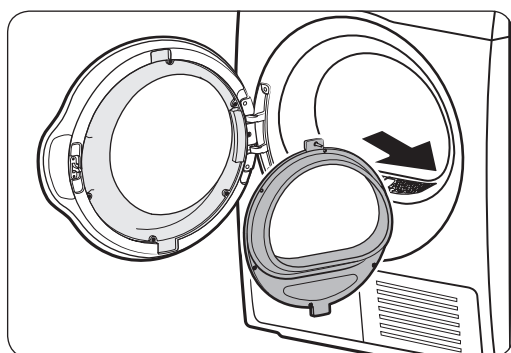
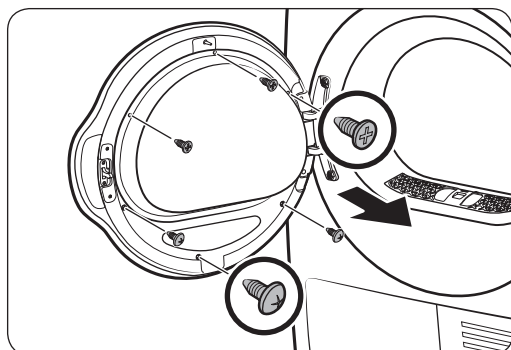
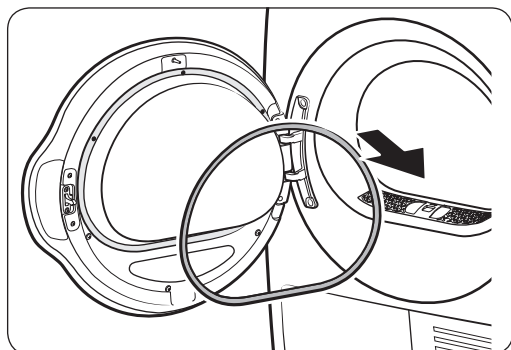
Liste de vérification pour l'installation

- Le sèche-linge est branché à une prise correctement reliée à la terre.
- Tous les matériaux d'emballage ont été complètement retirés et correctement mis au rebut.
- Le sèche-linge est de niveau et repose fermement sur le sol.
- Le long tuyau de vidange est installé si vous souhaitez que l'eau captée par le processus de séchage soit évacuée automatiquement.
- Allumez le sèche-linge pour vérifier qu'il fonctionne, chauffe et s'arrête.
- Lancez un cycle **TIME DRY (TEMPS DE SÉCHAGE)** pendant 20 minutes pour voir si le code d'information **HC** s'affiche. Si c'est le cas, prenez contact avec un centre de dépannage local.
- Après l'installation, nous vous recommandons d'attendre au moins 1 heure avant d'utiliser le sèche-linge.

Avant d'utiliser le sèche-linge

- Assurez-vous qu'il ne reste aucun accessoire à l'intérieur du tambour.
- Branchez le cordon d'alimentation juste avant d'utiliser le sèche-linge.
- N'obtenez pas l'entrée d'air de la grille de refroidissement située à l'avant du sèche-linge.
- Ne placez pas d'objets inflammables à proximité du sèche-linge et veillez à la propreté de son environnement.
- Veillez à ce que le sèche-linge soit de niveau.
- Ne retirez pas les pieds réglables du sèche-linge. Ils permettent d'assurer la mise à niveau du sèche-linge par rapport au sol.

Changement de position de la porte



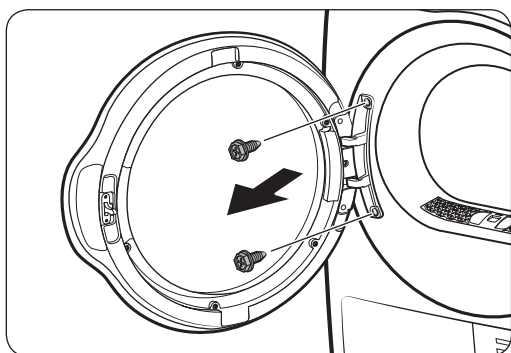
Pour inverser le sens de la porte, nous vous recommandons de contacter un technicien qualifié et de lui demander de suivre les instructions ci-dessous.

1. Retirez le joint du hublot.
2. Retirez les vis du support de la vitre intérieure du hublot.
- D'abord, desserrez et retirez les 3 vis de la partie inférieure. Ensuite, desserrez et retirez les 3 vis de la partie supérieure du support.
3. Détachez le support de la vitre.

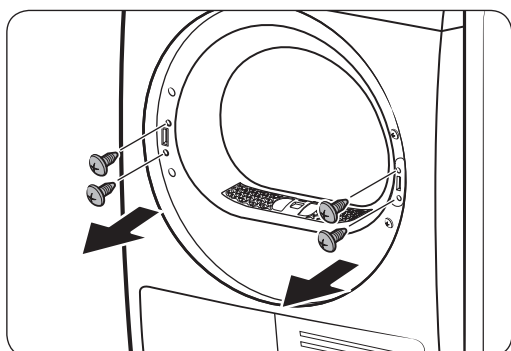
⚠ ATTENTION

Veillez à ne pas faire tomber toute partie du support au moment de le détacher. Risque de dommages matériels (fissures ou fêlures) ou de blessures physiques.

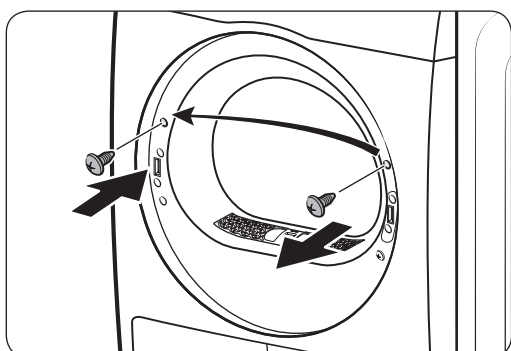
Installation



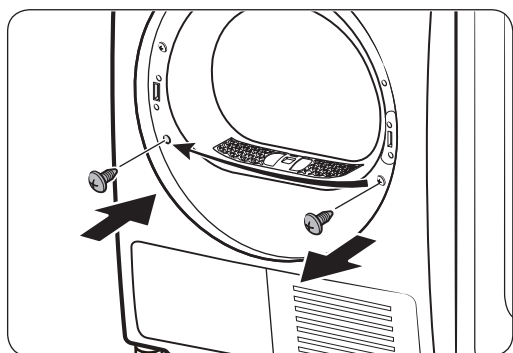
4. Retirez les vis de charnière et détachez le hublot.
 - Desserrez et retirez les 2 boulons de l'encadrement du hublot.
 - Afin d'éviter toute abrasion des boulons, utilisez un tournevis hexagonal.



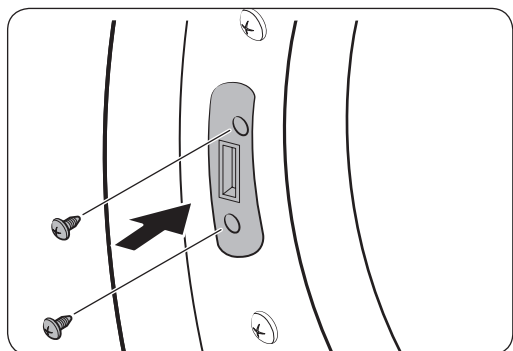
5. Retirez les 2 vis du support sur l'encadrement gauche, puis retirez les 2 vis du support sur l'encadrement droit.



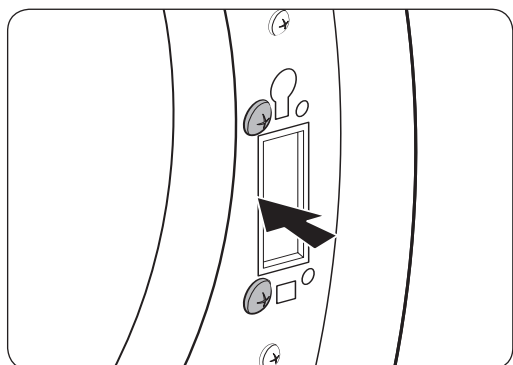
6. Retirez la vis supérieure à droit de l'encadrement du hublot, puis insérez-la dans le trou gauche correspondant de l'encadrement du hublot. Ne retirez pas les vis du support inférieur.



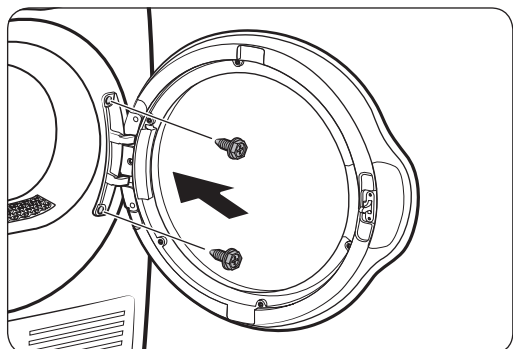
7. Retirez la vis inférieure sur l'encadrement droit, puis insérez-la dans le trou correspondant de l'encadrement gauche.



8. Insérez les 2 vis du support retirées dans l'encadrement gauche, comme indiqué.
- Voir l'illustration de gauche pour le bon emplacement des vis.

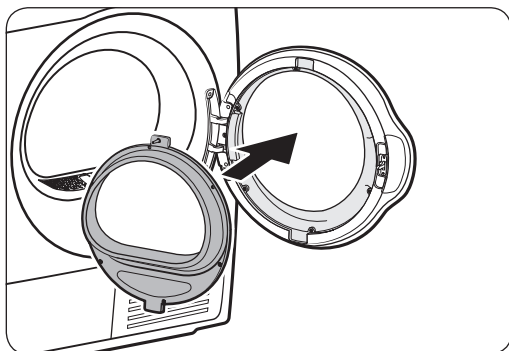


9. Fixez le panneau droit à l'aide des deux vis d'attache retirées comme l'illustre la figure.
- Voir l'illustration de droite pour le bon emplacement des vis.

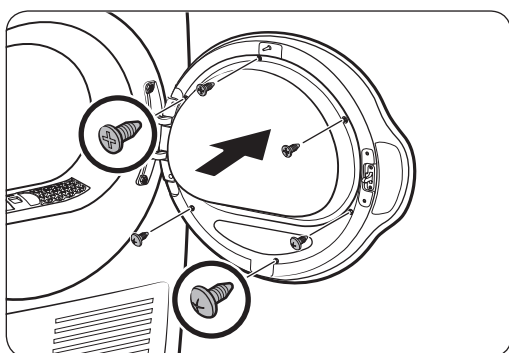


10. Insérez la charnière du hublot dans la position opposée de l'encadrement du hublot, puis serrez les 2 vis à boulon.

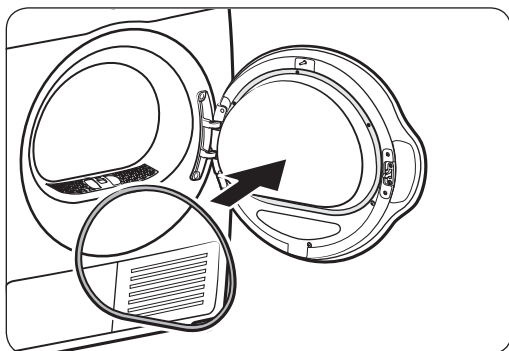
Installation



- 11.** Insérez le support de la vitre intérieure dans le cache du hublot installé sur l'encadrement droit.



- 12.** Resserrez les trois vis du haut et les trois vis du bas.



- 13.** Fixez le joint du hublot sur le hublot.

Avant de démarrer

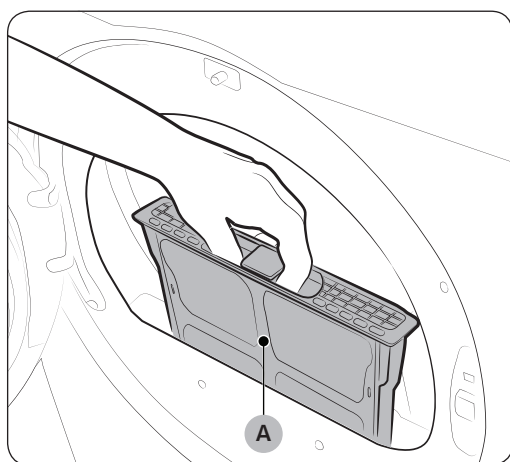
Il y a un certain nombre de choses que vous devez savoir avant de démarrer votre sèche-linge.

Tri et charge

- Mettez une seule charge de linge à la fois dans le sèche-linge.
- Ne mélangez pas du linge lourd et du linge léger.
- Pour augmenter l'efficacité de séchage pour un ou deux vêtements, ajoutez une serviette sèche à la charge.
- Pour des résultats optimaux, démêlez les articles avant de les introduire dans le sèche-linge.
- La surcharge réduit l'action de séchage, ce qui entraîne un séchage irrégulier, des plis et un temps de séchage plus long.
- Sauf indication contraire sur l'étiquette d'entretien, ne faites pas sécher des vêtements en laine ou en fibre de verre au sèche-linge.
- Évitez de faire sécher au sèche-linge des vêtements qui n'ont pas été lavés.
- Ne faites pas sécher des vêtements salis avec de l'huile, de l'alcool, de l'essence, etc.

Conditions de fonctionnement préalables

Filtre à peluches



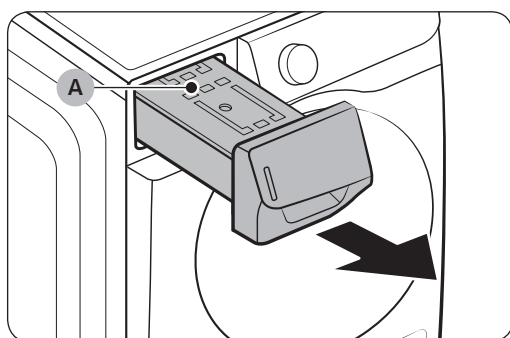
Pour éviter tout risque d'incendie, assurez-vous de nettoyer le filtre à peluches avant ou après chaque charge.

1. Éteignez le sèche-linge.
2. Ouvrez le hublot et retirez le **filtre à peluches (A)** de l'intérieur du tambour.
3. Retirez les peluches qui se sont accumulées, puis nettoyez le filtre à peluches.
4. Réinsérez le filtre à peluches, puis fermez la porte.

⚠ ATTENTION

- Ne faites pas fonctionner le sèche-linge si le filtre à peluches n'est pas remis en place.
- N'utilisez pas un filtre à peluches endommagé ou cassé. Cela peut réduire les performances et/ou entraîner un incendie.

Réservoir d'eau



Si vous n'avez pas installé le long tuyau de vidange, videz le réservoir d'eau avant ou après chaque chargement pour éviter les fuites.

1. Avec vos deux mains, tirez le réservoir d'eau en avant pour le retirer.
2. Videz l'eau par l'orifice de vidange situé sur le dessus, puis remettez le réservoir d'eau en place.

📄 REMARQUE

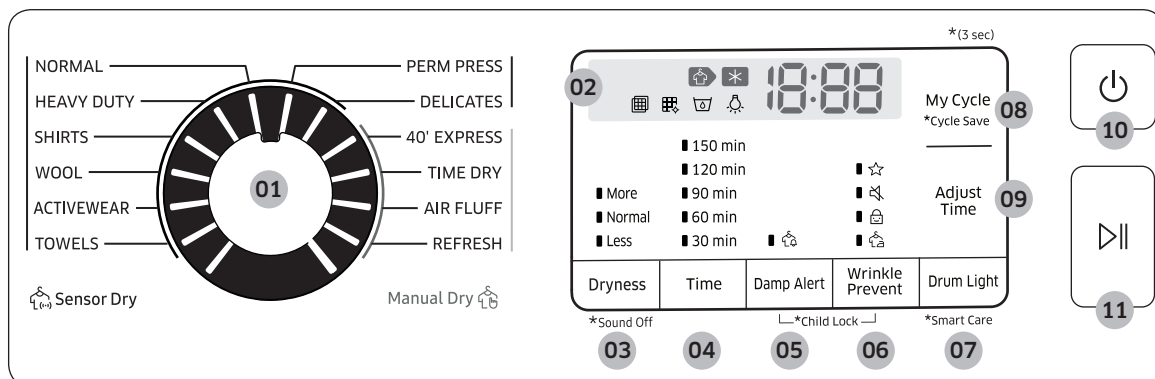
- Si vous videz le réservoir d'eau et que vous appuyez sur le bouton Départ/Pause (Hold to Start (Maintenir enfoncé pour commencer)), le témoin correspondant s'éteint.

Opérations

⚠ AVERTISSEMENT

Pour réduire le risque d'incendie, d'électrocution ou de blessures, lisez la section « Consignes de sécurité » avant d'utiliser cet appareil.

Panneau de commande



<p>01 Sélecteur de cycle</p>	<p>Faites tourner le sélecteur de cycle pour sélectionner un cycle souhaité. Lorsqu'un cycle est sélectionné, le voyant du cycle s'allume.</p>
<p>02 Affichage numérique</p>	<p>Affiche toutes les informations du cycle, notamment sa durée, son code d'information, son état de fonctionnement et ses témoins.</p>
<p>03 Dryness (Séchage)</p>	<p>Appuyez pour ajuster le niveau de séchage pour les cycles Sensor Dry (Séchage à capteur). Le voyant correspondant s'allume.</p> <ul style="list-style-type: none"> • Pour obtenir un séchage parfait sur des volumes de linge plus importants, vous pouvez utiliser les paramètres More (Fort). • Le paramètre Less (Faible) convient mieux aux tissus légers ou si vous souhaitez que les vêtements ressortent légèrement humides en fin de cycle. <p>REMARQUE Cette option n'est pas disponible avec WOOL (LAINE) et ACTIVEWEAR (VÊTEMENTS DE SPORT).</p>
<p>04 Time (Temps)</p>	<p>Appuyez sur ce bouton pour ajuster la durée du cycle pour les cycles 40' EXPRESS (EXPRESS 40'), TIME DRY (TEMPS DE SÉCHAGE), AIR FLUFF (AIR FROID) et REFRESH (RAFRAÎCHISSEMENT).</p> <ul style="list-style-type: none"> • Les options de durée suivantes (unité : minutes) sont disponibles : 30, 60, 90, 120, et 150. • Le temps de séchage exact varie en fonction du taux d'humidité du linge.












05 Damp Alert (Alerte d'humidité)	<p>Cette alerte est disponible avec tous les cycles Sensor Dry (Séchage à capteur), sauf pour ACTIVE WEAR (VÊTEMENTS DE SPORT) et WOOL (LAINE). Les niveaux de séchage disponibles sont Normal, More (Fort) et Less (Faible).</p> <p>Si la charge de linge se compose de différents tissus, le voyant Damp Alert (Alerte d'humidité) clignote lorsque le niveau de séchage moyen du linge est de 80 %. Cela vous permet de prendre les vêtements que vous ne souhaitez pas entièrement secs ou qui sèchent rapidement hors du sèche-linge tout en permettant aux autres de continuer à sécher.</p>
06 Wrinkle Prevent (Anti-froissage)	<p>La fonction Wrinkle Prevent (Anti-froissage) assure environ 180 minutes de rotation à froid par intermittence à la fin du cycle pour éviter de froisser le linge. Appuyez sur Wrinkle Prevent (Anti-froissage) pour activer cette fonction. Une fois que le linge est sec, vous pouvez le retirer à tout moment du sèche-linge pendant le cycle Wrinkle Prevent (Anti-froissage).</p> <ul style="list-style-type: none"> Maintenez enfoncé Wrinkle Prevent (Anti-froissage) pendant 3 secondes pour désactiver l'alarme. Lorsque l'alarme est désactivée, le voyant Désactivation de l'alarme (🔊) s'allume.
07 Drum Light (Éclairage du tambour)	<p>Appuyez sur ce bouton pour allumer/éteindre l'éclairage intérieur. L'éclairage reste allumé pendant 2 minutes, puis il s'éteint automatiquement.</p>
08 My Cycle (Mon cycle)	<p>Choisissez votre cycle favori, y compris sa durée, la température et le niveau de séchage. Reportez-vous à la section « My Cycle (Mon cycle) » à la page 36 pour plus de détails.</p>
09 Adjust Time (Réglage du temps)	<p>Vous pouvez modifier la durée réglée pour les cycles Manual Dry (Séchage manuel). Pour modifier la durée du cycle, appuyez sur Adjust Time (Réglage du temps), jusqu'à ce que la durée souhaitée s'affiche.</p>
10 Marche/Arrêt	<p>Appuyez pour allumer/éteindre le sèche-linge.</p>
11 Départ/Pause (Maintenir enfoncé pour commencer)	<p>Maintenez ce bouton enfoncé pour démarrer une opération, ou appuyez sur ce bouton pour arrêter temporairement une opération.</p>

REMARQUE

Les articles qui se sont mélangés lors du lavage peuvent dégrader l'efficacité du séchage ou provoquer l'ouverture de la porte du sèche-linge. Nous vous recommandons de les démêler avant de les mettre dans le sèche-linge.

Opérations

Témoins

	Séchage		Damp Alert (Alerte d'humidité)
	Refroidissement		My Cycle (Mon cycle)
	Vérifier le filtre		Sound Off (Arrêt son)
	Alarme de nettoyage de l'échangeur de chaleur		Child Lock (Sécurité enfant)
	Réservoir d'eau plein		Wrinkle Prevent (Anti-froissage)
	Drum Light (Éclairage du tambour)		

Étapes simples pour commencer

1. Appuyez sur le bouton **Marche/Arrêt** pour allumer le sèche-linge.
2. Faites tourner le **Sélecteur de cycle** pour sélectionner un cycle.
3. Modifiez les paramètres du cycle (**Dryness (Séchage)** et **Time (Temps)**) selon les besoins.
4. Facultativement, vous pouvez activer des options parmi celles disponibles en appuyant sur le bouton correspondant. (**Adjust Time (Réglage du temps)**, **Wrinkle Prevent (Anti-froissage)**, et/ou **Damp Alert (Alerte d'humidité)**)
5. Maintenez appuyé **Départ/Pause (Maintenir enfoncé pour commencer)**. Le voyant du sèche-linge s'allume avec une durée de cycle estimée affichée à l'écran.

Pour changer de cycle pendant l'utilisation

1. Appuyez sur **Départ/Pause (Maintenir enfoncé pour commencer)** pour interrompre le fonctionnement.
2. Sélectionnez un programme différent.
3. Maintenez appuyé **Départ/Pause (Maintenir enfoncé pour commencer)** pour démarrer le nouveau cycle.

Tri et charge

- Une surcharge prolongera considérablement le temps de séchage. Chargez le linge jusqu'à la moitié de sa capacité pour obtenir les meilleurs résultats.
- N'introduisez qu'une seule charge de linge à la fois dans le sèche-linge.
- Évitez de mélanger les articles lourds et légers ensemble.
- Pour améliorer l'efficacité du séchage pour un ou deux articles, ajoutez une serviette sèche à la charge.

- Pour obtenir des résultats optimaux, démêlez le linge avant de l'introduire dans le sèche-linge.
- Une surcharge peut limiter l'action du tambour et ainsi entraîner un séchage inégal et altérer l'effet anti-froissage.
- Sauf indication contraire stipulée sur l'étiquette d'entretien, évitez de faire sécher des articles en laine ou en fibre de verre.
- Évitez de faire sécher au sèche-linge des vêtements qui n'ont pas été lavés.
- Ne faites pas sécher des vêtements salis avec de l'huile, de l'alcool, de l'essence, etc.

Présentation des cycles

Sensor Dry (Séchage à capteur)

Les cycles **Sensor Dry (Séchage à capteur)** calculent le taux d'humidité du linge et arrêtent le sèche-linge une fois que le linge atteint le niveau de séchage que vous avez sélectionné avec **Dryness (Séchage)**.

Programme	Description
NORMAL	Pour la plupart des tissus y compris le coton et le lin.
HEAVY DUTY (GRAND RENDEMENT)	Pour le séchage du linge composé de tissus épais, tels que les jeans, le velours côtelé ou les vêtements de travail avec un chauffage à haute température.
SHIRTS (CHEMISES)	Utile pour sécher un seul vêtement comme une chemise.
WOOL (LAINE)	Lainages lavables en machine et séchables en sèche-linge uniquement.
ACTIVEWEAR (VÊTEMENTS DE SPORT)	Pour laver les vêtements de sports et d'extérieur tels que les maillots, les shorts, les vestes imperméables et autres. Les tissus épais comme une fermeture éclair ou le Velcro d'une veste, ou des chaussettes de sport peuvent ne pas être complètement séchés.
TOWELS (SERVIETTES)	Serviettes et linge de bain
PERM PRESS (INFROISSABLES)	Ce cycle permet le séchage automatique des tissus infroissables en coton, synthétique et lainage.
DELICATES (DÉLICATS)	Pour les vêtements sensibles à la chaleur à une faible température de séchage.

Opérations

Manual Dry (Séchage manuel)

Vous pouvez modifier les paramètres de séchage manuellement selon vos préférences.

Cycle	Description
40' EXPRESS (EXPRESS 40')	Pour sécher des synthétiques en coton léger ou des articles nécessitant un séchage rapide. Le temps de séchage par défaut est de 40 minutes.
TIME DRY (TEMPS DE SÉCHAGE)	Vous pouvez spécifier une durée de cycle en minutes.
AIR FLUFF (AIR FROID)	Fait tourner le linge avec de l'air à température ambiante.
REFRESH (RAFRAÎCHISSEMENT)	Utilise l'air chaud pour désodoriser et rafraîchir les vêtements.

Guide des cycles

La meilleure méthode pour faire sécher du linge est de suivre les instructions indiquées sur l'étiquette d'entretien. Si aucune instruction de séchage n'est fournie, reportez-vous au tableau suivant pour référence.

Cycle	Description
Couvre-lits et couettes	<p>Suivez les instructions figurant sur l'étiquette d'entretien ou séchez à l'aide du cycle NORMAL.</p> <ul style="list-style-type: none"> Assurez-vous que l'article est complètement sec avant de l'utiliser ou de le ranger. Il est parfois nécessaire de repositionner l'article dans le tambour pour assurer un séchage homogène.
Couvertures	<p>Utilisez le cycle NORMAL et ne séchez qu'une couverture à la fois pour garantir un séchage optimal.</p> <ul style="list-style-type: none"> Assurez-vous que les couvertures sont complètement sèches avant de les utiliser ou de les ranger.
Rideaux et tentures	<p>Utilisez PERM PRESS (INFROISSABLES) pour réduire le froissement.</p> <ul style="list-style-type: none"> Faites sécher vos rideaux et tentures par petites charges pour des résultats optimaux et retirez-les du sèche-linge dès que possible après la fin du cycle.
Couches en tissu	Utilisez NORMAL pour des couches souples et pelucheuses.

Cycle	Description
Articles garnis de duvet (vestes, sacs de couchage, couettes, etc.)	Suivez les instructions figurant sur l'étiquette d'entretien ou séchez à l'aide du cycle NORMAL . <ul style="list-style-type: none"> Ajoutez quelques serviettes sèches pour absorber l'humidité et réduire le temps de séchage.
Caoutchouc mousse (tapis, peluches, épaulettes, etc.)	Ne faites pas sécher ces articles à chaud. Utilisez le cycle AIR FLUFF (AIR FROID) . ⚠ AVERTISSEMENT Sécher un article à base de caoutchouc à chaud risque de l'endommager ou de provoquer un incendie.
Oreillers	Utilisez le cycle NORMAL . <ul style="list-style-type: none"> Ajoutez quelques serviettes sèches et une paire de baskets propres pour favoriser l'action du tambour et dépelucher les oreillers. Ne faites pas sécher des oreillers à base de capoc ou de mousse avec un cycle de séchage à chaud. Vous pouvez faire sécher ces articles uniquement si vous utilisez le cycle AIR FLUFF (AIR FROID) .
Plastiques (rideaux de douche, bâches, etc.)	Utilisez le cycle AIR FLUFF (AIR FROID) ou TIME DRY (TEMPS DE SÉCHAGE) et les paramètres de température Low (Basse) ou Extra Low (Très basse) , en fonction des instructions de l'étiquette d'entretien.

⚠ AVERTISSEMENT

Ne faites pas sécher :

- Articles en fibre de verre (rideaux, tentures, etc.).
- des lainages, sauf indication contraire sur l'étiquette
- des articles imprégnés d'huile végétale ou alimentaire

Opérations

Fonctions spéciales

Child Lock (Sécurité enfant)

Cette fonction empêche les enfants de jouer avec le sèche-linge. Lorsque la fonction Sécurité enfant est activée, seul le bouton **Marche/Arrêt** est opérationnel. Pour activer/désactiver la fonction Sécurité enfant, maintenez les boutons **Damp Alert (Alerte d'humidité)** et **Wrinkle Prevent (Anti-froissage)** simultanément enfoncés pendant 3 secondes.

REMARQUE

Une fois la fonction Sécurité enfant activée, elle reste active même après avoir redémarré le sèche-linge. Si les boutons, à l'exception du bouton **Marche/Arrêt**, ne répondent pas, vérifiez le voyant Sécurité enfant. Si le voyant est allumé, suivez les consignes ci-dessus pour désactiver la fonction Sécurité enfant.

My Cycle (Mon Cycle)

Vous pouvez créer votre propre cycle contenant vos réglages de préférence et l'utiliser à votre guise.

1. Faites tourner le **Sélecteur de cycle** pour sélectionner un cycle. Le voyant du cycle s'allume.
2. Réglez ou modifiez les paramètres (**Dryness (Séchage)**, **Time (Temps)**, etc.) et/ou les options, tel que nécessaire. Chaque voyant correspondant clignote.
3. Appuyez et maintenez enfoncé **My Cycle (Mon cycle)** pendant 3 secondes. Le sèche-linge stocke le cycle sélectionné avec ses paramètres.

Pour utiliser My Cycle (Mon cycle), appuyez sur **My Cycle (Mon cycle)**.

REMARQUE

La fonction **WRINKLE PREVENT (ANTI-FROISSAGE)** n'est pas disponible avec Mon cycle.

Smart Care

Si votre sèche-linge affiche un code d'information, vous pouvez utiliser Smart Care et l'application Smart Care pour expliquer la signification du code. Pour utiliser Smart Care, vous devez avoir l'application Samsung Smart Care installée sur votre smartphone.

REMARQUE

Smart Care est optimisé pour les téléphones Samsung Galaxy et Apple iPhones. (Non compatible avec certains modèles).

Téléchargez l'application Samsung Smart Washer depuis Google Play Store ou depuis Apple App Store (mot-clé de recherche : « **Samsung Smart Washer/Dryer** ») et installez-la sur votre smartphone.

Si un code d'information apparaît sur le sèche-linge, suivez ces étapes :

1. Maintenez simultanément enfoncés **Drum Light (Éclairage du tambour)** pendant 3 secondes pour activer la fonction Smart Care.
2. Ouvrez l'application Smart Care sur votre smartphone.
3. Mettez l'appareil photo du smartphone proche de l'écran du sèche-linge. L'application reconnaît automatiquement le code d'information et affiche des suggestions sur votre smartphone.
4. Si le smartphone ne parvient pas à reconnaître le code d'information à plus de deux reprises, saisissez le code d'information manuellement dans l'application Smart Care.

ATTENTION

- Si de la lumière se reflète sur l'écran du sèche-linge, le smartphone peut ne pas reconnaître le code d'information.
- Si vous tenez le smartphone à un certain angle par rapport à l'écran du sèche-linge, votre smartphone peut ne pas reconnaître le code d'information. Pour de meilleurs résultats, maintenez le smartphone de sorte que l'avant du panneau et le smartphone soient parallèles ou quasiment.
- Après avoir utilisé cette fonction, le sèche-linge supprimera l'enregistrement du code d'information dans son journal de codes.

Maintenance

AVERTISSEMENT

- Ne nettoyez pas le sèche-linge en pulvérisant directement de l'eau dessus.
- Ne le nettoyez pas en utilisant du benzène, du diluant, de l'alcool ou de l'acétone. Cela pourrait entraîner une décoloration, une déformation, des dommages, une électrocution ou un incendie.
- Avant de nettoyer le sèche-linge, veillez à débrancher le cordon d'alimentation.
- La mise à la terre de certaines pièces internes n'a volontairement pas été effectuée; ces éléments peuvent donc présenter un risque d'électrocution (lors de l'entretien uniquement). Technicien de maintenance - Ne touchez pas les pièces suivantes lorsque l'appareil est sous tension: Panneau de commande, Moteur, Pompe de vidange.

Panneau de commande

- Nettoyez-le avec un chiffon doux et humide. N'utilisez pas de produits abrasifs.
- Ne vaporisez pas d'agents de nettoyage liquides directement sur l'écran du sèche-linge.
- Certains détachants pour tissu peuvent endommager le panneau de commande.
- Lors de l'utilisation d'agents de nettoyage liquides, appliquez-les sur le chiffon de nettoyage. Ne les appliquez pas directement sur le sèche-linge. Essuyez immédiatement toute éclaboussure ou vaporisation en excès.

Tambour

- Enlevez les tâches sur le tambour avec un détachant universel.
- Frottez ensuite avec une vieille serviette ou un chiffon, pour retirer toute substance restante (tache ou détachant). Les taches peuvent être encore visibles, mais n'affecteront pas les charges suivantes.

Tambour en acier inoxydable

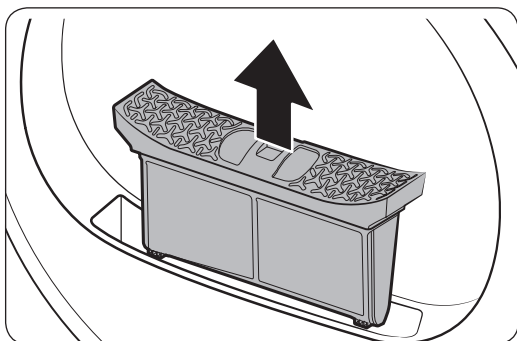
Pour nettoyer un tambour en acier inoxydable, utilisez un chiffon humide imprégné d'un nettoyant doux et non abrasif adapté aux surfaces facilement marquées. Retirez les résidus de détergent et essuyez avec un chiffon propre.

Extérieur du sèche-linge

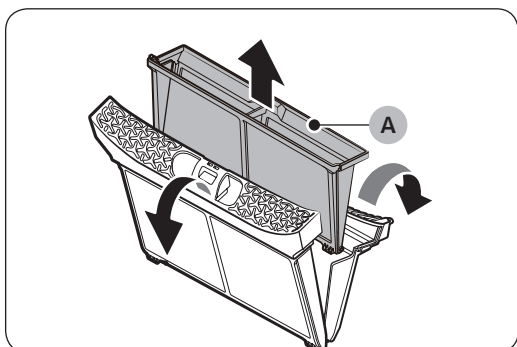
- Nettoyez-le avec un chiffon doux et humide. N'utilisez pas de produits abrasifs.
- Protégez la surface des objets pointus.
- N'entreposez pas d'objets lourds (ex. : baril de lessive) ou à arêtes tranchantes sur le sèche-linge. Ceci risquerait de rayer ou d'endommager le capot supérieur du sèche-linge.
- L'habillage de l'ensemble du sèche-linge est lisse et brillant. Faites attention à ne pas rayer ou endommager la surface.

Filtre à peluches

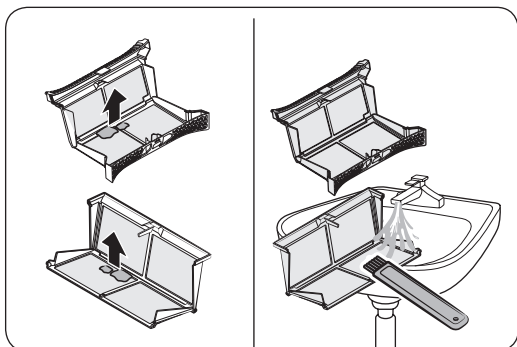
Nettoyez le filtre à peluches après chaque cycle.



1. Ouvrez le hublot et tirez le filtre à peluches vers le haut pour le retirer.



2. Ouvrez le filtre extérieur et retirez le filtre intérieur (A).

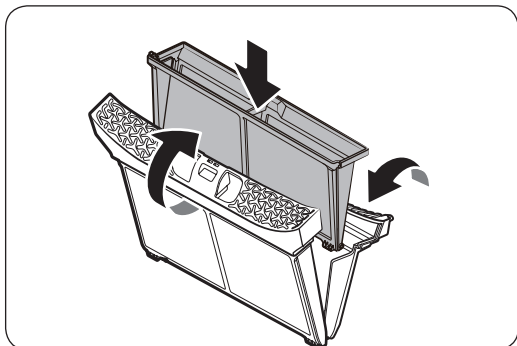


3. Dépliez à la fois les filtres intérieur et extérieur.

4. Retirez les peluches présentes sur les deux filtres, puis nettoyez les filtres à l'aide de la brosse de nettoyage.

REMARQUE

Pour nettoyer les filtres en profondeur, nettoyez-les à l'eau courant, puis faites-les sécher complètement.



5. Placez le filtre intérieur dans le filtre extérieur, puis réinsérer le filtre à peluches dans sa position d'origine.

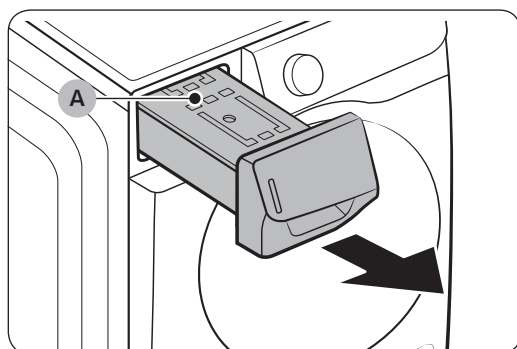
Maintenance

⚠ ATTENTION

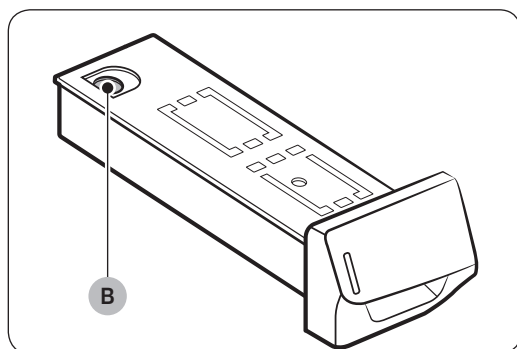
- Nettoyez le filtre à peluches après chaque cycle. Si vous ne le faites pas, les performances de séchage risquent de se dégrader.
- Ne faites pas fonctionner le sèche-linge si le filtre intérieur n'est pas inséré dans le filtre extérieur.
- Utiliser le sèche-linge avec un filtre à peluches mouillé peut provoquer des moisissures, des mauvaises odeurs ou une baisse des performances de séchage.

Réservoir d'eau

Pour éviter toute fuite, videz le réservoir d'eau après chaque cycle.



1. Avec vos deux mains, tirez le **réservoir d'eau (A)** en avant pour le retirer.



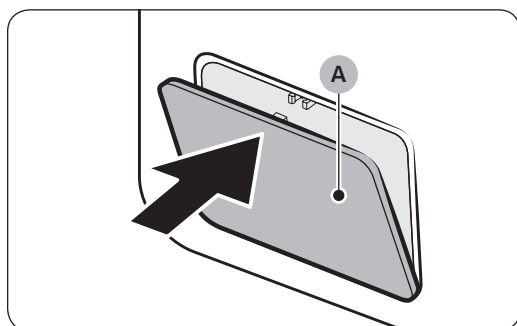
2. Videz l'eau via l'**orifice de vidange (B)**, puis remettez le réservoir d'eau en place.

📖 REMARQUE

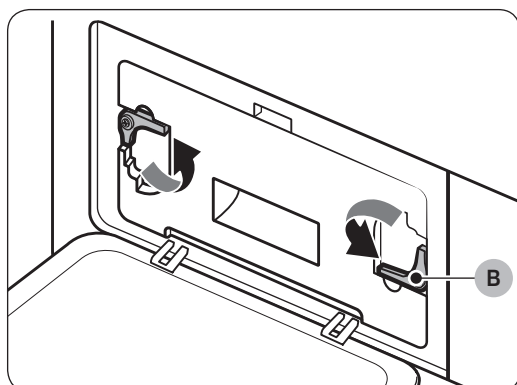
Si vous videz le réservoir d'eau et que vous appuyez sur le bouton **Départ/Pause (Maintenir enfoncé pour commencer)**, le témoin correspondant s'éteint.

Échangeur de chaleur

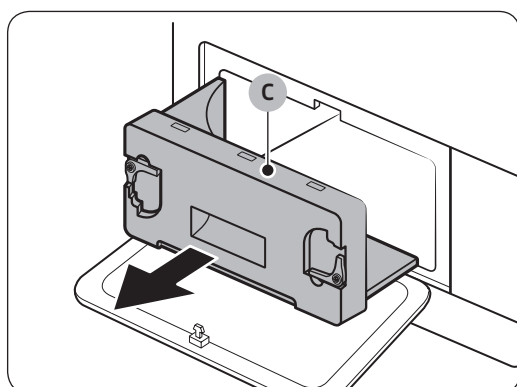
Nettoyez l'échangeur de chaleur au moins une fois par mois. Pour rappel, le témoin de l'échangeur de chaleur (🔔) s'allume sur l'écran lorsque l'échangeur de chaleur doit être nettoyé.



1. Appuyez doucement sur la zone supérieure du **cache extérieur (A)** pour l'ouvrir.

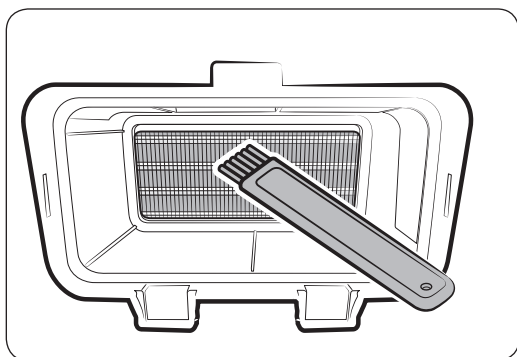


2. Déverrouillez les **fixations (B)**.



3. Retirez le **cache intérieur (C)**.

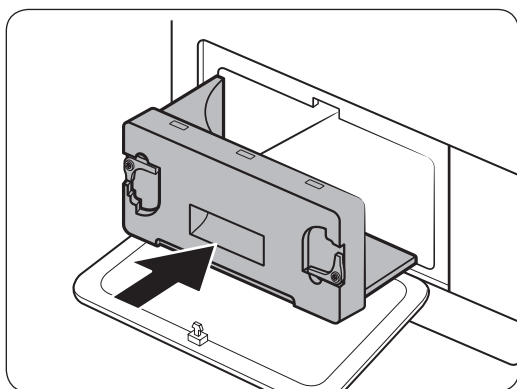
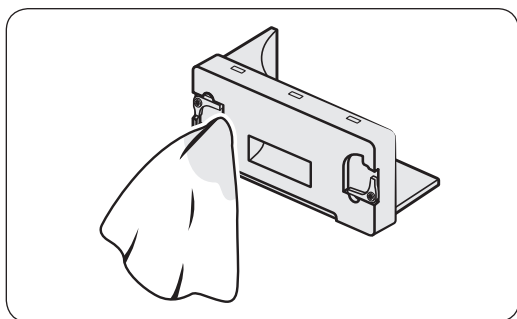
Maintenance



- Nettoyez l'échangeur de chaleur à l'aide de la brosse de nettoyage fournie ou d'un aspirateur équipé d'un accessoire brosse. Veillez à ne pas plier ou endommager les ailettes de l'échangeur de chaleur lors du nettoyage. Cela risquerait de réduire les performances de séchage.

⚠ ATTENTION

- Afin d'éviter de vous blesser ou de vous brûler, ne touchez pas et ne nettoyez pas l'échangeur de chaleur à mains nues.
 - N'utilisez pas d'eau pour nettoyer l'échangeur de chaleur.
- Nettoyez le cache intérieur à l'aide d'un chiffon doux et humide.



- Réinsérez le cache intérieur dans sa position d'origine, puis verrouillez les fixations.
- Fermez le cache extérieur.

📄 REMARQUE

Une fois le nettoyage terminé, assurez-vous que les fixations sont verrouillées.

Dépannage

Contrôles à effectuer

Si le sèche-linge ne fonctionne pas normalement, vérifiez tout d'abord la liste des problèmes dans le tableau ci-dessous et essayez les solutions proposées.

Problème	Action
Ne fonctionne pas.	<ul style="list-style-type: none"> Assurez-vous que le hublot est bien fermé. Vérifiez que le cordon d'alimentation est branché sur une prise électrique opérationnelle. Vérifiez le disjoncteur et les fusibles de votre domicile. Maintenez à nouveau enfoncé le bouton Départ/Pause (Maintenir enfoncé pour commencer) en cas d'ouverture du hublot en cours de cycle. Nettoyez le filtre à peluches.
Ne chauffe pas.	<ul style="list-style-type: none"> Vérifiez le disjoncteur et les fusibles de votre domicile. Certains cycles ne nécessitent pas de chauffage. Vérifiez à nouveau le cycle sélectionné. Vérifiez le filtre à peluches et l'échangeur de chaleur. Nettoyez-les si nécessaire. Le sèche-linge est peut-être en phase de refroidissement du cycle.
Ne sèche pas.	<ul style="list-style-type: none"> Vérifiez tous les points mentionnés ci-dessus, plus... Séchez le linge épais et le linge léger séparément. Il est parfois nécessaire de repositionner dans le sèche-linge les articles volumineux, comme les couvertures ou les couettes, pour assurer un séchage homogène. Vérifiez que votre sèche-linge essore correctement le linge et évacue la quantité d'eau adéquate. La charge de linge est peut-être insuffisante pour que l'action du tambour soit efficace. Ajoutez quelques serviettes et relancez le cycle. La charge de linge est peut-être trop importante pour que l'action du tambour soit efficace. Retirez quelques articles pour que le sèche-linge soit à moitié plein, puis redémarrez-le. Nettoyez le filtre à peluches et l'échangeur de chaleur.
Fait du bruit.	<ul style="list-style-type: none"> Vérifiez le linge à la recherche de pièces de monnaie, de boutons décosus, de clous, etc. Retirez aussitôt ces objets. Vérifiez que le sèche-linge est correctement mis à niveau, comme indiqué dans les consignes d'installation. Il est normal que le sèche-linge émette un « bourdonnement », du fait de la grande vitesse de déplacement de l'air à travers le tambour du sèche-linge, le ventilateur ou le système de vidange d'eau.

Dépannage

Problème	Action
Ne sèche pas le linge uniformément.	<ul style="list-style-type: none"> Les coutures, les poches et les autres zones épaisses peuvent ne pas sécher complètement alors que le reste du linge a atteint le niveau de séchage sélectionné. Cette situation est normale. Vous pouvez choisir un niveau de séchage plus haut ou un cycle impliquant un plus haut niveau de séchage. Si vous faites sécher un article épais avec une charge légère, par exemple une serviette de toilette avec des draps, il est possible que l'article le plus lourd ne soit pas complètement sec quand le reste du linge atteindra le niveau de séchage sélectionné. Pour de meilleurs résultats de séchage, séchez le linge épais et le linge léger séparément.
Les vêtements sont pelucheux.	<ul style="list-style-type: none"> Assurez-vous que le filtre est propre avant chaque cycle. Pour les vêtements accumulant naturellement des peluches, nettoyez le filtre durant le cycle. Certains textiles produisent une grande quantité de peluches (ex. : serviettes en coton). C'est pourquoi ces articles doivent être séchés séparément des textiles qui attirent les peluches (ex. : pantalon en velours). Si la quantité de linge est trop importante, répartissez la charge en plusieurs lots pour le séchage. Vérifiez soigneusement les poches des vêtements avant de les sécher. Retirez les peluches à l'intérieur du tambour avant le séchage.
Les articles sont encore froissés après le cycle WRINKLE RELEASE (DÉFROISSAGE).	<ul style="list-style-type: none"> Chargez entre 1 et 4 articles pour plus d'efficacité. Allégez la charge. Faites sécher des articles similaires.
Durée prolongée.	<ul style="list-style-type: none"> La fonction Sensor Dry (Séchage à capteur) calcule automatiquement le taux d'humidité du linge et arrête le sèche-linge une fois le degré souhaité de séchage (Séchage fort à Légèrement humide) atteint. La durée de séchage peut varier en fonction du type et de la quantité de linge. Consultez le tableau des cycles pour référence. Pour éviter un temps de séchage trop long, ne chargez pas plus de la moitié du sèche-linge.

Si un problème persiste, contactez un service de service Samsung local.

Codes d'information

Si le sèche-linge ne parvient pas à fonctionner, vous pouvez voir un code d'information affiché à l'écran d'affichage. Pour déterminer ce que vous devez faire, vérifiez la liste de codes figurant dans le tableau ci-dessous, puis essayez les actions suggérées.

Code		Action
tC	Problème avec le capteur de température de l'air	Nettoyez le filtre à peluches et/ou l'échangeur de chaleur. Si le problème persiste, appelez le centre de dépannage.
tC5	Problème avec le capteur de température du compresseur	Attendez 2 à 3 minutes. Mettez l'appareil sous tension et redémarrez-le.
dC	Faire fonctionner le sèche-linge lorsque le hublot est ouvert	Fermez la porte et redémarrez l'appareil. Si le problème persiste, appelez le centre de dépannage.
HC	Surchauffe du compresseur	Appelez le service de dépannage.
5C	Réservoir d'eau plein La pompe de vidange est hors service	Videz le réservoir d'eau, mettez l'appareil sous tension et redémarrez-le. Si le problème persiste, appelez le centre de dépannage.
AC6	Vérifiez les communications entre les cartes de circuit imprimé principale et de l'onduleur.	<ul style="list-style-type: none"> En fonction de l'état, le sèche-linge peut revenir automatiquement en fonctionnement normal. Éteignez le sèche-linge et rallumez-le. Ensuite, relancez le cycle. Si le code d'information continue d'apparaître, appelez le centre de dépannage.
3C	Vérifiez le fonctionnement du moteur.	<ul style="list-style-type: none"> Essayez de relancer le cycle. Si le code d'information continue d'apparaître, appelez le centre de dépannage.





Si un code d'information demeure affiché sur l'écran, contactez un centre de service Samsung.

Caractéristiques techniques

Tableau des symboles d'entretien des textiles

Les symboles suivants fournissent des conseils d'entretien des vêtements. Les étiquettes d'entretien des vêtements incluent des symboles relatifs au séchage, au blanchiment, au repassage et au nettoyage à sec. L'utilisation de ces symboles garantit la cohérence des informations entre les fabricants de vêtements (articles domestiques ou importés). Suivez les instructions sur l'étiquette d'entretien afin d'optimiser la durée de vie de votre linge et d'éviter des problèmes au lavage.

Cycle de lavage

	Normal
	Infroissable/Anti-plis/Anti-froissage
	Délicat
	Lavage main




Température de l'eau

...	Chaude
..	Tiède
.	Froide

REMARQUE

Le tableau Température de l'eau répertorie les températures appropriées de l'eau de lavage pour divers articles. La plage de températures est comprise entre 41 et 52 °C (106 et 126 °F) pour Chaude, entre 29 et 41 °C (84 et 106 °F) pour Tiède et entre 16 et 29 °C (61 et 84 °F) pour Froide. (La température de l'eau de lavage doit être d'au moins 61 °F (16 °C) pour activer les agents nettoyants et obtenir un lavage efficace.)




Agent de blanchiment

	Tout type (si nécessaire)
	Agent de blanchiment non chloré (non décolorant) uniquement (si nécessaire)
	Séchage en machine




Normal

	Infroissable/Anti-plis/Anti-froissage
	Délicat




Consignes spéciales

	Séchage sur corde/en suspension
	Séchage sans essorage
	Séchage à plat







Température

	Élevée
	Moyenne
	Basse
	Toutes températures
	Sans chaleur/À l'air libre






Températures de repassage facile ou vapeur

	Élevée
	Moyenne
	Basse

Symboles d'avertissement pour le lavage

	Ne pas laver
	Ne pas tordre
	Pas de chlorage
	Séchage en machine interdit
	Pas de vapeur (ajoutée au fer à repasser)
	Pas de repassage

Nettoyage à sec autorisé

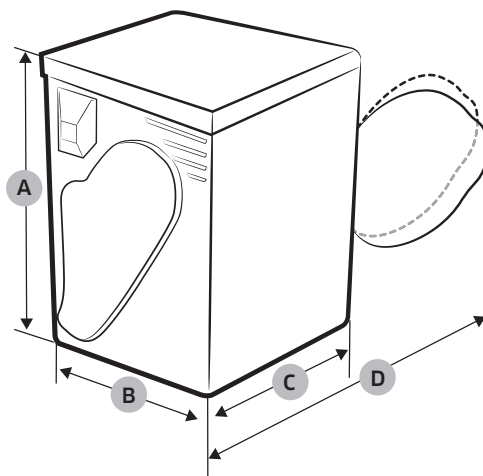
	Nettoyage à sec autorisé
	Nettoyage à sec interdit
	Séchage sur corde/en suspension
	Séchage sans essorage
	Séchage à plat

Protection de l'environnement

Cet appareil a été fabriqué à partir de matériaux recyclables. Si vous décidez de le jeter, veuillez respecter les normes locales en matière d'évacuation des déchets. Coupez le cordon d'alimentation de façon à ce que l'appareil ne puisse pas être raccordé à une source électrique. Enlevez le hublot pour que des animaux et des jeunes enfants ne se retrouvent pas piégés à l'intérieur de l'appareil.

Caractéristiques techniques

Fiche de spécifications



Type		Sèche-linge à chargement frontal
Dimensions (po (mm))	A. Hauteur	33,5 (850)
	B. Largeur	23,6 (600)
	C. Profondeur	26,0 (660)
	D. Profondeur avec hublot ouvert à 90°	43,3 (1101)
Capacité (en pieds cubes)		4,0
Poids net	lb (kg)	88 (40)
Puissance de chauffe	Normes électriques (W)	2200
Puissance de chauffe (W)		2500

Tableau des cycles

REMARQUE

Pour un résultat optimal, respectez ces recommandations de volume de charge pour chaque cycle de séchage.

- Charge importante : Remplissez le tambour aux 3/4 environ. Au-delà de cette limite, n'ajoutez pas d'articles supplémentaires afin que le linge tourne librement.
- ◐ Charge moyenne : Remplissez le tambour à la moitié environ.
- Petite charge : Remplissez le tambour de 3 à 5 articles (pas plus du 1/4).

Cycle		Articles recommandés	Volume de charge	Dryness (Séchage)
Sensor Dry (Séchage à capteur)	NORMAL	Coton, vêtements de travail, lin, charges mixtes	●	Séchage normal (réglable)
	HEAVY DUTY (GRAND RENDEMENT)	Pièces au tissu épais, tels que les jeans, les velours côtelés ou les vêtements de travail	●	Séchage normal (réglable)
	SHIRTS (CHEMISES)	Chemises ou blouses à base de fibres synthétiques ou de mélange de tissu.	◐	Séchage normal (réglable)
	WOOL (LAINE)	Lainages lavable en machine et séchables en sèche-linge uniquement. (Charge maximale : 3 livres)	○	Séchage normal (aucun changement)
	ACTIVEWEAR (VÊTEMENTS DE SPORT)	Vêtements imperméables, habits de scène, de sport	◐	Séchage normal (aucun changement)
	TOWELS (SERVIETTES)	Serviettes et linge de bain	●	Séchage normal (réglable)
	PERM PRESS (INFROISSABLES)	Chemises, tissus synthétiques, lainages, tissus infroissables en coton, tissus infroissables	◐	Séchage normal (réglable)
	DELICATES (DÉLICATS)	Sous-vêtements, chemisiers, lingerie	◐	Séchage normal (réglable)
Manual Dry (Séchage manuel)	40' EXPRESS (EXPRESS 40')	Petites charges	○	-
	TIME DRY (TEMPS DE SÉCHAGE)	Toute charge	●	-
	AIR FLUFF (AIR FROID)	Mousse, caoutchouc, matières plastiques	◐	-
	REFRESH (RAFRÂCHISSEMENT)	Chemises, pantalons, oreillers	◐	-

Caractéristiques techniques

REMARQUE

- : réglage usine, ● : peut être sélectionné

Programme		Paramétrage du niveau de séchage		
		More (Fort)	Normal	Less (Faible)
Sensor Dry (Séchage à capteur)	NORMAL	●	●	●
	HEAVY DUTY (GRAND RENDEMENT)	●	●	●
	SHIRTS (CHEMISES)	●	●	●
	WOOL (LAINE)	-	-	●
	ACTIVE WEAR (VÊTEMENTS DE SPORT)	-	●	-
	TOWELS (SERVIETTES)	●	●	●
	PERM PRESS (INFROISSABLES)	●	●	●
	DELICATES (DÉLICATS)	●	●	●
Manual Dry (Séchage manuel)	40' EXPRESS (EXPRESS 40')	-	-	-
	TIME DRY (TEMPS DE SÉCHAGE)	-	-	-
	AIR FLUFF (AIR FROID)	-	-	-
	REFRESH (RAFRAÎCHISSEMENT)	-	-	-

Programme		Damp Alert (Alerte d'humidité)	Wrinkle Prevent (Anti-froissage)	Adjust Time (Réglage du temps)
Sensor Dry (Séchage à capteur)	NORMAL	●	●	-
	HEAVY DUTY (GRAND RENDEMENT)	●	●	-
	SHIRTS (CHEMISES)	●	●	-
	WOOL (LAINE)	-	●	-
	ACTIVE WEAR (VÊTEMENTS DE SPORT)	-	●	-
	TOWELS (SERVIETTES)	●	●	-
	PERM PRESS (INFROISSABLES)	●	●	-
	DELICATES (DÉLICATS)	●	●	-
Manual Dry (Séchage manuel)	40' EXPRESS (EXPRESS 40')	-	●	●
	TIME DRY (TEMPS DE SÉCHAGE)	-	●	●
	AIR FLUFF (AIR FROID)	-	●	●
	REFRESH (RAFRAÎCHISSEMENT)	-	●	●

Garantie (États-Unis)

SÈCHE-LINGE SAMSUNG

GARANTIE LIMITÉE POUR L'ACHETEUR INITIAL AVEC PREUVE D'ACHAT

Ce produit de la marque SAMSUNG, fourni, distribué par SAMSUNG ELECTRONICS AMERICA, INC. (SAMSUNG) et livré neuf à l'acheteur-consommateur initial, dans son emballage d'origine, s'accompagne d'une garantie de SAMSUNG contre tout vice de fabrication au niveau des pièces et de la main d'œuvre pendant une période limitée, commençant à la date d'achat initiale, de :

Un (1) an (pièces et main d'œuvre)

Cette garantie limitée ne s'applique qu'aux appareils achetés et utilisés aux États-Unis qui ont été installés, utilisés et entretenus conformément aux instructions jointes ou fournies avec l'appareil. Pour bénéficier de réparations dans le cadre de la présente garantie, l'acheteur doit contacter la société SAMSUNG à l'adresse ou au numéro de téléphone indiqués ci-dessous, afin qu'elle détermine l'origine du problème et une procédure de réparation. Les services de garantie peuvent être pris en charge uniquement par un centre de service agréé SAMSUNG. Lors de la remise d'un produit défectueux à SAMSUNG ou à un centre de service agréé SAMSUNG, l'acheteur est tenu de présenter le coupon d'achat d'origine sur demande, à titre de preuve d'achat, pour pouvoir bénéficier des services de garantie.

SAMSUNG assurera gratuitement un service à domicile au sein des États-Unis contigus durant la période de garantie, sous réserve de disponibilité des techniciens agréés SAMSUNG au sein de la zone géographique du client. Si le service à domicile n'est pas disponible, SAMSUNG peut, à sa propre discrétion, choisir de prendre à sa charge le transport aller/retour du produit vers un centre de service agréé. Si l'appareil se trouve dans une zone où le service par un technicien agréé SAMSUNG n'est pas disponible, il se peut que vous deviez prendre en charge des frais de transport ou transporter l'appareil vers un centre de service agréé SAMSUNG pour le faire réparer.

Pour bénéficier du service à domicile, l'appareil doit être situé dans un emplacement accessible à notre personnel.

Durant la période de garantie applicable, un appareil sera réparé, remplacé ou son prix d'achat remboursé, à la seule discrétion de SAMSUNG. Il se peut que SAMSUNG utilise des pièces neuves ou reconditionnées pour réparer un appareil, ou remplace l'appareil par un produit neuf ou reconditionné. Les pièces et appareils de rechange sont garantis pendant la partie restante de la période de garantie initiale de l'appareil, ou bien durant quatre-vingt-dix (90) jours, selon la période qui est la plus longue. Toutes les pièces et tous les produits remplacés sont la propriété de SAMSUNG et vous devez les retourner à SAMSUNG.

Garantie (États-Unis)

La présente garantie limitée couvre les vices de fabrication au niveau des pièces et de la main d'œuvre identifiés dans le cadre de l'utilisation domestique ou non-commerciale normale de l'appareil en question. Elle ne peut pas couvrir les choses suivantes : les dommages survenus lors de l'expédition, la livraison, l'installation et les utilisations prévues de cet appareil ; les dommages causés par une modification ou altération non autorisée de l'appareil ; les appareils dont les numéros de série d'origine apposés en usine ont été retirés, dégradés ou modifiés d'une quelconque façon ou encore difficilement lisibles ; les dommages esthétiques notamment rayures, piqûres, éclats et autres dommages sur la finition de l'appareil ; les dommages causés par un abus, une mauvaise utilisation, des infestations d'insectes, un accident, un incendie, une inondation ou d'autres catastrophes naturelles ou cas de force majeure ; les dommages causés par l'utilisation d'équipements, d'alimentations, de services, de pièces, de fournitures, d'accessoires, d'applications, d'installations, de réparations, de câblages externes ou connecteurs qui n'ont pas été fournis ou autorisés par SAMSUNG ; les dommages causés par un courant, une tension ou des fluctuations de courant incorrects ou par des surtensions ; les dommages causés par une utilisation et un entretien de l'appareil non conformes aux instructions ; les dommages liés à une instruction fournie à domicile concernant l'utilisation de votre appareil ; et une réparation visant à rectifier une installation n'étant pas conforme aux normes de branchements électriques et de plomberie, ou la correction des branchements électriques ou de plomberie (c.-à-d. câblage du domicile, fusibles, ou tuyaux d'arrivée d'eau). Le coût des réparations ou du remplacement dans le cadre de ces circonstances faisant l'objet d'une exclusion sera à la charge du client.

Les interventions de techniciens de maintenance destinées à expliquer les fonctions, la maintenance ou l'installation ne sont pas couvertes par la garantie. Veuillez prendre contact avec votre agent d'appel Samsung pour obtenir de l'aide sur l'une de ces questions.

EXCLUSION DES GARANTIES IMPLICITES

LES GARANTIES IMPLICITES, Y COMPRIS LES GARANTIES IMPLICITES DE QUALITÉ MARCHANDE OU D'ADÉQUATION À UN USAGE PARTICULIER, SONT LIMITÉES À UN AN OU À LA PLUS COURTE PÉRIODE AUTORISÉE PAR LA LOI. Certains États n'autorisent pas les limitations de durée d'une garantie implicite ; il se peut donc que les limitations ou exclusions spécifiées ci-dessus ne s'appliquent pas à votre cas. La présente garantie vous octroie des droits spécifiques. Il se peut que vous en ayez d'autres ; cela varie d'un État à un autre.

LIMITE DE RECOURS

VOTRE SEUL RECOURS EXCLUSIF EST UNE RÉPARATION DE L'APPAREIL, UN REMPLACEMENT DE L'APPAREIL OU UN REMBOURSEMENT DU PRIX D'ACHAT, À LA DISCRÉTION DE SAMSUNG, COMME ACCORDÉ DANS LE CADRE DE LA PRÉSENTE GARANTIE LIMITÉE. SAMSUNG NE POURRA ÊTRE TENUE RESPONSABLE DES DOMMAGES PARTICULIERS, ACCESSOIRES OU IMMATÉRIELS, NOTAMMENT MAIS SANS POUR AUTANT S'Y LIMITER LES TEMPS DE TRAJET DEPUIS LE LIEU DE TRAVAIL, LES FRAIS D'HÔTEL ET/ REPAS EN RESTAURANT, LES DÉPENSES DE RÉNOVATION, LES PERTES DE REVENUS OU DE BÉNÉFICES, L'IMPOSSIBILITÉ DE RÉALISER DES ÉCONOMIES OU AUTRES BÉNÉFICES QUELLE QUE SOIT LA THÉORIE JURIDIQUE SUR LAQUELLE LA RÉCLAMATION EST BASÉE, ET CE MÊME SI SAMSUNG A ÉTÉ AVERTI DE LA POSSIBILITÉ DE TELS DOMMAGES.

Certains États n'autorisent pas les exclusions ou limitations relatives aux dommages accessoires ou immatériels ; il se peut donc que les limitations ou exclusions spécifiées ci-dessus ne s'appliquent pas à votre cas. La présente garantie vous octroie des droits spécifiques. Il se peut que vous en ayez d'autres ; cela varie d'un État à un autre.

SAMSUNG ne garantit pas que l'appareil sera exempt de tout problème ou qu'il fonctionnera sans interruption. Aucune garantie, donnée par toute autre personne, entreprise ou une société quant à cet appareil, ne pourra être considérée comme un engagement pour SAMSUNG.

Pour bénéficier du service d'assistance couvert par votre garantie, contactez SAMSUNG à l'adresse suivante :

Samsung Electronics America, Inc.

85 Challenger Road

Ridgefield Park, NJ 07660

1-800-SAMSUNG (726-7864)

www.samsung.com/us/support

Garantie (CANADA)

SÈCHE-LINGE SAMSUNG

GARANTIE LIMITÉE À L'ACHETEUR INITIAL

Ce produit de la marque SAMSUNG, fourni, distribué par SAMSUNG ELECTRONICS CANADA, INC. (SAMSUNG) et livré neuf, dans son emballage d'origine à l'acheteur initial, est garanti par SAMSUNG contre tout défaut de fabrication relatif aux matériaux et à la qualité d'exécution, pour une période de garantie limitée de :

- Un (1) an (pièces et main d'œuvre)

Cette limite de garantie s'applique à compter de la date d'acquisition et couvre uniquement les produits achetés et utilisés au Canada.

Pour bénéficier de réparations dans le cadre de la présente garantie, l'acheteur doit contacter la société SAMSUNG afin qu'elle détermine l'origine du problème et une procédure de réparation.

Les services de garantie peuvent être pris en charge uniquement par un centre de service agréé SAMSUNG.

Lors de la remise d'un produit défectueux à SAMSUNG ou à un centre de service agréé SAMSUNG, l'acheteur est tenu de présenter le coupon d'achat d'origine à la demande des intéressés à titre de preuve d'achat.

SAMSUNG assurera un service de réparation gratuit à domicile pendant la période de garantie sujet à la disponibilité au Canada.

Le service à domicile n'est pas disponible pour toutes les zones.

Pour bénéficier du service à domicile, l'appareil doit être situé dans un emplacement accessible à notre personnel.

Si ce service n'est pas disponible, SAMSUNG peut choisir de prendre à sa charge le transport aller/retour du produit vers un centre de service agréé.

La société SAMSUNG prendra en charge, à sa convenance, la réparation, le remplacement ou le remboursement du produit tel que stipulé dans les présentes conditions et procédera au remplacement ou au reconditionnement des pièces ou des produits si ces derniers s'avèrent défectueux dans la limite de la période de garantie mentionnée précédemment.

Toutes les pièces et tous les produits remplacés deviennent la propriété de SAMSUNG et doivent être retournés à SAMSUNG.

La période de garantie qui s'applique aux pièces et produits remplacés est la période restante de la garantie initiale ou une période de quatre-vingt-dix (90) jours ; dans tous les cas, la période la plus longue des deux périodes susmentionnées s'applique.

La garantie limitée couvre les vices de fabrication relatifs aux matériaux et à la qualité d'exécution survenus dans le cadre d'une utilisation normale et non commerciale du produit et ne s'applique pas aux causes suivantes, comprenant, mais ne se limitant pas à : tout dommage survenant au cours de l'expédition, de la livraison et de l'installation ; toute utilisation de l'appareil contraire au but auquel il était destiné ; tout numéro de produit ou de série effacé ; tout dommage du revêtement extérieur ou de l'aspect du produit ; tout dommage causé par un accident, une utilisation non conforme, une négligence, un incendie ou une inondation, la foudre ou une autre catastrophe naturelle ; toute utilisation de produits, d'équipements, de systèmes, d'appareils, de services, de pièces, de fournitures, d'accessoires, d'applications, d'installations, de réparations, de câblages externes ou de connecteurs non fournis ou autorisés par SAMSUNG et susceptibles d'endommager ledit appareil ou de nuire à son fonctionnement ; toute surtension, fluctuation ou tension de ligne électrique incorrecte ; tout réglage effectué par l'acheteur et tout non-respect des consignes d'utilisation, d'entretien et de respect de l'environnement couvertes ou prescrites dans le présent carnet d'entretien ; tout démontage ou toute réinstallation de l'appareil ; tout problème résultant d'une prolifération d'insectes nuisibles.

Cette garantie limitée ne couvre pas les problèmes résultant d'un courant, d'une tension ou d'une alimentation électrique incorrects, ainsi que d'ampoules électriques, de fusibles ou de câblage inappropriés. Elle ne couvre pas non plus le coût des appels au service d'assistance pour obtenir des instructions ou la réparation des erreurs d'installation.

SAMSUNG ne garantit pas que l'appareil sera exempt de tout problème ou qu'il fonctionnera sans interruption.

SAUF EXCEPTION MENTIONNÉE DANS LE PRÉSENT DOCUMENT, SAMSUNG NE FOURNIT AUCUNE GARANTIE EXPRESSE OU IMPLICITE QUANT À CET APPAREIL, Y COMPRIS, MAIS SANS S'Y LIMITER, LES GARANTIES IMPLICITES DE QUALITÉ MARCHANDE, DE CONTREFAÇON OU D'APTITUDE À UN USAGE PARTICULIER.

AUCUNE GARANTIE, QU'ELLE SOIT DONNÉE PAR UN TIERS, UNE ENTREPRISE OU UNE PERSONNE MORALE, NE POURRA ÊTRE CONSIDÉRÉE COMME UN ENGAGEMENT VIS-À-VIS DE SAMSUNG.

SAMSUNG NE SERA AUCUNEMENT RESPONSABLE EN CAS DE PERTE DE BÉNÉFICES, DE MANQUE À GAGNER, D'INCAPACITÉ À RÉALISER DES ÉCONOMIES OU TOUT AUTRE AVANTAGE FINANCIER OU D'AUTRES DOMMAGES SPÉCIAUX, ACCESSOIRES OU INDIRECTS RÉSULTANT DE L'UTILISATION OU D'UNE MAUVAISE UTILISATION DE CET APPAREIL OU D'UNE INCAPACITÉ À UTILISER CET APPAREIL, QUELLE QUE SOIT LA BASE JURIDIQUE INVOQUÉE POUR JUSTIFIER L'ASSERTION ET MÊME SI SAMSUNG A ÉTÉ AVISÉ DE L'ÉVENTUALITÉ DE TELS DOMMAGES.

LES INDEMNITÉS FINANCIÈRES EXIGÉES AUPRÈS DE SAMSUNG NE POURRONT EN AUCUN CAS EXCÉDER LE PRIX D'ACHAT DU PRODUIT VENDU PAR SAMSUNG ET À L'ORIGINE DES DOMMAGES INVOQUÉS.

Garantie (CANADA)

SANS LIMITATION AUX DISPOSITIONS SUSDITES, L'ACHETEUR ASSUME TOUS LES RISQUES ET TOUTES LES RESPONSABILITÉS EN CAS DE PERTE, DE DOMMAGES OU DE BLESSURES ÉVENTUELLES INFLIGÉS À L'ACHETEUR ET AUX BIENS DE CELUI-CI ET À TOUTE AUTRE PERSONNE ET AUX BIENS DE CELLE-CI RÉSULTANT DE L'UTILISATION OU DE LA MAUVAISE UTILISATION DE L'APPAREIL OU DE L'INCAPACITÉ À L'UTILISER.

CETTE GARANTIE LIMITÉE N'EST VALABLE POUR PERSONNE D'AUTRE QUE L'ACHETEUR INITIAL DU PRODUIT, N'EST PAS TRANSFÉRABLE ET ÉNONCE VOTRE RECOURS EXCLUSIF.

Certaines provinces n'autorisent pas de limitations quant à la durée des garanties implicites ni l'exclusion ou la limitation de dommages accessoires ou indirects ; il se peut par conséquent que les limitations et exclusions énoncées ci-dessus ne s'appliquent pas à votre cas.

La présente garantie vous octroie des droits spécifiques, ainsi que d'autres variant d'une province à une autre.

Pour bénéficier d'un service d'assistance couvert par votre garantie, contactez SAMSUNG à l'adresse suivante :

Samsung Electronics Canada Inc.

2050 Derry Road West,

Mississauga, Ontario L5N 0B9 Canada

1-800-SAMSUNG (726-7864)

www.samsung.com/ca/support (English)

www.samsung.com/ca_fr/support (French)

Les interventions de techniciens de maintenance destinées à expliquer les fonctions, la maintenance ou l'installation ne sont pas couvertes par la garantie.

Veillez prendre contact avec votre agent d'appel Samsung pour obtenir de l'aide sur l'une de ces questions.





Scan the QR code* or visit
www.samsung.com/spsn
 to view our helpful
 How-to Videos and Live Shows

*Requires reader to be installed on your smartphone

Scan this with your smartphone



Ce produit répond aux exigences ENERGY STAR avec le réglage d'usine par défaut « **Normal** ». Si vous modifiez le réglage d'usine par défaut ou activez d'autres fonctions, la consommation d'énergie risque d'augmenter et de dépasser les limites permettant de répondre aux exigences ENERGY STAR.

QUESTIONS OU COMMENTAIRES ?

PAYS	APPELEZ LE	OU RENDEZ-VOUS SUR LE SITE
U.S.A	1-800-SAMSUNG (726-7864)	www.samsung.com/us/support
CANADA	1-800-SAMSUNG(726-7864)	www.samsung.com/ca/support (English) www.samsung.com/ca_fr/support (French)



Secadora

Manual del usuario

DV25B6800H*

SAMSUNG

Contenido

Información sobre seguridad	4
Lo que necesita saber sobre las instrucciones de seguridad	4
Símbolos de seguridad importantes	4
ADVERTENCIA DE LA PROPUESTA 65 DE CALIFORNIA	6
Precauciones de seguridad importantes	6
Advertencias	7
Precauciones	7
Antes de la instalación	9
Requisitos de instalación importantes	9
Consideraciones acerca de la ubicación	9
Requisitos eléctricos	13
Instalación paso a paso	17
Cambiar la posición de la puerta	25
Antes de comenzar	29
Clasificación y carga	29
Requisito de funcionamiento	29
Funcionamiento	30
Panel de control	30
Sencillos pasos para comenzar	32
Descripción del ciclo	33
Guía de ciclos	34
Características especiales	36
Solución de problemas	43
Verificaciones	43
Códigos de información	45



Especificaciones	46
Tabla de indicaciones sobre telas	46
Protección del medio ambiente	47
Hoja de especificaciones	48
Tabla de ciclos	49

Información sobre seguridad

Felicitaciones por la compra de la nueva secadora Samsung. Este manual contiene información importante acerca de la instalación, el uso y el cuidado del electrodoméstico. Lea detenidamente estas instrucciones a fin de aprovechar al máximo los múltiples beneficios y funciones de la secadora.

Instale la secadora de ropa según las instrucciones del fabricante y los códigos locales.

Lo que necesita saber sobre las instrucciones de seguridad

Lea este manual detenidamente para aprender a utilizar con seguridad y eficacia todas las características y funciones de su nuevo electrodoméstico. Conserve el manual en un lugar seguro cerca del electrodoméstico para consultas futuras. Utilice este electrodoméstico solo para el propósito para el que fue destinado como se describe en este manual.

Las advertencias y las instrucciones de seguridad importantes de este manual no cubren todas las posibles condiciones y situaciones que pueden ocurrir. Es su responsabilidad actuar con sentido común, precaución y cuidado cuando instale, realice el mantenimiento y ponga en funcionamiento la secadora.

Puesto que las siguientes instrucciones de funcionamiento sirven para varios modelos, las características de su secadora pueden diferir ligeramente de las que se describen en este manual y es posible que no todos los signos de advertencia sean aplicables. Si tiene alguna consulta o duda, comuníquese con el centro de servicio más cercano o busque ayuda e información en línea en www.samsung.com.

Símbolos de seguridad importantes

Los íconos y las señales incluidas en este manual del usuario significan lo siguiente:

ADVERTENCIA

Peligros o prácticas inseguras que podrían causar lesiones físicas graves o la muerte y/o daños materiales.

PRECAUCIÓN

Peligros o prácticas inseguras que podrían causar lesiones físicas y/o daños materiales.

NOTA

Indica que existe el riesgo de lesiones físicas o daños materiales.

Estas señales de advertencia están aquí para evitar que usted u otras personas sufran daños.

Siga las instrucciones completamente.

Después de leer este manual, guárdelo en un lugar seguro para consultas futuras.

Lea todas las instrucciones antes de usar el electrodoméstico.

Al igual que con cualquier equipo que usa electricidad y contiene piezas móviles, existen riesgos potenciales. Para usar este electrodoméstico en forma segura, familiarícese con su funcionamiento y manéjelo con cuidado cuando lo use.

CONSERVE ESTAS INSTRUCCIONES

ADVERTENCIA - Riesgo de incendio

- La instalación de la secadora de ropa debe estar a cargo de un instalador calificado.
- Instale la secadora de ropa según las instrucciones del fabricante y los códigos locales.
- No instale una secadora de ropa con materiales para ventilación de plástico flexible. Si se instala un conducto de metal flexible (tipo lámina metálica), debe ser de un tipo específico identificado por el fabricante del electrodoméstico como adecuado para utilizar con secadoras de ropa. Los materiales para ventilación flexibles suelen hundirse, aplastarse fácilmente y atrapar pelusa. Estas condiciones obstruirán el flujo de aire de la secadora de ropa y aumentarán el riesgo de incendio.
- Para reducir el riesgo de lesiones graves o muerte, siga todas las instrucciones de instalación.
- Guarde estas instrucciones.

ADVERTENCIA - Para reducir el riesgo de incendio o explosión:

- No seque prendas que hayan sido previamente limpiadas, lavadas, remojadas o salpicadas con gasolina, solventes de limpieza en seco u otras sustancias inflamables o explosivas. Emiten vapores que se pueden prender fuego o explotar. No debe colocarse en la secadora ningún material que haya estado en contacto con un solvente de limpieza o líquidos o sólidos inflamables hasta que se haya eliminado todo vestigio de tales líquidos o sólidos inflamables y sus vapores.
Existen muchos artículos altamente inflamables en los hogares, tales como acetona, alcohol desnaturalizado, gasolina, kerosene, algunos limpiadores líquidos de uso doméstico, algunos quitamanchas, aguarrás, ceras y removedores de cera.
- No seque artículos que contengan goma espuma (puede estar catalogada como espuma de látex) o materiales semejantes a la goma y con textura similar en la opción de secado con calor. Los materiales de goma espuma que reciben calor pueden, en ciertas circunstancias, encenderse en forma espontánea.

ADVERTENCIA - Peligro de incendio o explosión

- Si no cumple rigurosamente con las advertencias de seguridad podrían producirse daños materiales, lesiones graves o incluso la muerte.
- No almacene ni utilice gasolina u otros vapores o líquidos inflamables cerca de este o cualquier otro aparato eléctrico.
- La instalación y el servicio deben llevarlos a cabo un instalador o agencia de servicios cualificados.

CONSERVE ESTAS INSTRUCCIONES

Información sobre seguridad

ADVERTENCIA DE LA PROPUESTA 65 DE CALIFORNIA

ADVERTENCIA

Cáncer y daño al sistema reproductivo: www.P65Warnings.ca.gov.

Precauciones de seguridad importantes

ADVERTENCIA

Para reducir el riesgo de incendio, descargas eléctricas o lesiones físicas cuando usa este electrodoméstico, siga las instrucciones de seguridad básicas que figuran a continuación:

1. Lea todas las instrucciones antes de usar este electrodoméstico.
2. No seque prendas que han sido previamente limpiadas, lavadas, remojadas o salpicadas con gasolina, solventes de limpieza en seco u otras sustancias inflamables o explosivas, ya que emiten vapores que pueden prenderse fuego o explotar.
3. No utilice la secadora para secar ropa que tenga restos de sustancias inflamables, como aceites vegetales, de cocción o de máquina, productos químicos inflamables, disolventes de pinturas, etc., o que contengan cera o productos químicos, como trapeadores y paños de limpieza. Las sustancias inflamables pueden ocasionar que la tela se prenda fuego.
4. No almacene ni utilice gasolina u otros vapores o líquidos inflamables cerca de este o cualquier otro aparato eléctrico.
5. No permita que los niños jueguen sobre el electrodoméstico ni en su interior. Se requiere de supervisión cuando el electrodoméstico es utilizado cerca de los niños.
6. Antes de descartar el electrodoméstico o de retirarlo de servicio, extraiga la puerta del compartimiento de secado.
7. No introduzca la mano en el electrodoméstico si el tambor está en movimiento.
8. No instale o guarde este electrodoméstico donde quede expuesto a factores climáticos.
9. No modifique los controles internos.
10. No repare, reemplace ni intente realizar el mantenimiento de cualquier pieza del electrodoméstico salvo que esté recomendado específicamente en las instrucciones de mantenimiento del usuario o en las instrucciones de reparación para el usuario publicadas y que, a su juicio, usted tenga la habilidad para llevarlas a cabo.
11. No use suavizante para ropa o productos para evitar la estática salvo que el fabricante del suavizante para ropa o del producto lo recomiende.
12. Limpie el filtro para pelusas antes o después de cada carga.

CONSERVE ESTAS INSTRUCCIONES

13. No aplique calor para secar prendas que contengan goma espuma o materiales semejantes a la goma con textura similar.
14. El personal técnico calificado debe efectuar una limpieza periódica del interior de la secadora.
15. No coloque elementos expuestos a aceites de cocina en la secadora. Los elementos contaminados con aceites de cocina pueden contribuir a que se produzca una reacción química que ocasione que en la carga de ropa se prenda fuego. Para reducir el riesgo de incendio debido a cargas de ropa contaminada, la parte final del ciclo de la secadora se realiza sin calor (período de enfriamiento). No detenga la secadora antes de terminar el ciclo de secado, pero si lo hace, retire rápidamente las prendas y déjelas esparcidas para que se disipe el calor.
16. Este electrodoméstico debe conectarse a tierra. Consulte "Requisitos eléctricos" y "Conexión a tierra" en la sección "Instalación".
17. No permita que los niños jueguen sobre el electrodoméstico ni en su interior. Se requiere de supervisión cuando el electrodoméstico es utilizado cerca de los niños.
18. No introduzca las manos bajo la secadora.
 - Esto puede provocar lesiones personales.
19. Al cerrar la puerta tenga cuidado de no atrapar los dedos de los niños.
 - Esto puede provocar lesiones personales.

Advertencias

ADVERTENCIA

- Asegúrese de que los bolsillos no contengan objetos pequeños, sólidos y de forma irregular, material extraño, etc., por ejemplo: monedas, cuchillos, alfileres, etc. Tales objetos podrían dañar la secadora.
- Bordes afilados: para reducir el riesgo de sufrir heridas, tener cuidado al limpiar las láminas del condensador o del evaporador.
- Ciertas partes eléctricas se han dejado intencionalmente desconectadas de la tierra física y pueden presentar un riesgo de choque eléctrico durante el mantenimiento. Personal de mantenimiento, no tocar estas partes mientras el aparato esté encendido: tablero de control, motor, bomba de drenaje.

Precauciones

PRECAUCIÓN

- No permita que los niños o las mascotas jueguen sobre el electrodoméstico, dentro de él o frente a él. Se requiere de supervisión cuando el electrodoméstico es utilizado cerca de niños y mascotas.

CONSERVE ESTAS INSTRUCCIONES

Información sobre seguridad

- Antes de desechar la secadora o de retirarla de servicio, quite la puerta del compartimiento de secado para evitar que los niños y las mascotas queden atrapados dentro de la secadora.
- No introduzca la mano en el electrodoméstico cuando el tambor esté en movimiento.
- No instale o guarde este electrodoméstico donde quede expuesto a factores climáticos.
- No modifique los controles.
- No repare ni reemplace ni intente realizar el mantenimiento de ninguna pieza del electrodoméstico salvo que esté indicado específicamente en las instrucciones de reparación para el usuario y que comprenda y tenga la habilidad para llevar a cabo el procedimiento.
- No utilice suavizante de ropa o productos para eliminar la estática a menos que el suavizante o producto esté recomendado para uso con la secadora por el fabricante del mismo.
- Limpie el filtro para pelusas antes o después de cada carga.
- Mantenga el área alrededor de la salida del drenaje y las áreas circundantes libres de pelusa, polvo y suciedad.
- El personal técnico calificado debe efectuar una limpieza periódica del interior de la secadora y del conducto de drenaje.
- Este electrodoméstico debe conectarse a tierra correctamente. Nunca enchufe el cable de alimentación a un receptáculo que no esté conectado a tierra correctamente ni guarde conformidad con los códigos locales y nacionales. Consulte las instrucciones de instalación para obtener información sobre cómo conectar este electrodoméstico a tierra.
- No se siente encima de la secadora.
- No seque ropa que contenga hebillas grandes, botones u otros objetos de metal pesado o sólido.
- Instale y use de acuerdo con las instrucciones del fabricante.
- No coloque prendas en la secadora que hayan sido salpicadas o remojadas con aceite vegetal o aceite de cocina. Incluso después del lavado, estas prendas pueden contener una cantidad importante de dichos aceites.
- El aceite residual en las prendas puede prenderse fuego en forma espontánea. La posibilidad de combustión espontánea aumenta cuando las prendas que contienen aceite vegetal o aceite de cocina son expuestas al calor. Las fuentes de calor, tales como la secadora, pueden calentar estas prendas y permitir que se produzca la oxidación del aceite a modo de reacción. La oxidación genera calor. Si dicho calor no tiene forma salir, las prendas pueden calentarse lo suficiente como para prenderse fuego. Amontonar, apilar o guardar este tipo de prendas puede impedir que el calor salga y puede generar un peligro de incendio.
- Todas las prendas limpias y sucias que contengan aceite vegetal o aceite de cocina pueden resultar peligrosas.

Lavar dichas prendas en agua caliente con una dosis adicional de detergente reducirá el peligro, aunque no lo eliminará. Siempre use el ciclo Enfriamiento para estas prendas con el fin de reducir la temperatura. Nunca retire estas prendas cuando la secadora se encuentre caliente ni interrumpa el ciclo de secado hasta que las prendas hayan pasado por el ciclo Enfriamiento. Nunca amontone o apile estas prendas cuando estén calientes.

CONSERVE ESTAS INSTRUCCIONES

Antes de la instalación

Lea atentamente las siguientes instrucciones antes de instalar la secadora y conserve este manual para futuras consultas.

ADVERTENCIA

Ciertas partes eléctricas se han dejado intencionalmente desconectadas de la tierra física y pueden presentar un riesgo de choque eléctrico durante el mantenimiento. Personal de mantenimiento, no tocar estas partes mientras el aparato esté encendido: tablero de control, motor, bomba de drenaje.

Requisitos de instalación importantes

- Un tomacorriente con conexión a tierra.
- Un cable de alimentación para las secadoras eléctricas (excepto en Canadá).
- Una pila o una tubería de desagüe, si desea drenar el agua que se haya acumulado en la manguera de desagüe larga (provista) durante el secado. (Consulte la página 20.)

ADVERTENCIA

Retire la puerta de todos los electrodomésticos desechados para evitar que un niño se asfixie.

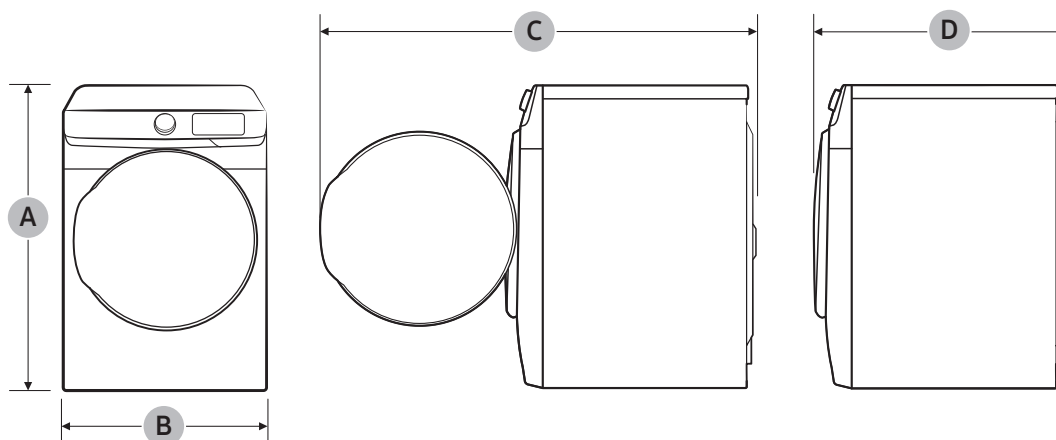
Consideraciones acerca de la ubicación

La secadora debe estar ubicada donde haya suficiente espacio adelante para cargarla y suficiente espacio atrás para el sistema de drenaje. Esta secadora viene preparada de fábrica con la opción de drenaje posterior. Para que drene por la parte inferior, hacia la derecha o izquierda, utilice el kit de drenaje accesorio. El kit viene acompañado de instrucciones. Asegúrese de que en el cuarto circule suficiente aire fresco. La secadora debe estar ubicada donde el aire pueda fluir sin obstrucciones.

No se debe instalar o guardar la secadora en un área donde quede expuesta al agua y/o a los factores climáticos. El área de la secadora debe mantenerse libre de materiales combustibles, gasolina y otros vapores y líquidos inflamables. Una secadora produce pelusa combustible. No debe haber pelusas en el área circundante de la secadora.

Antes de la instalación

Dimensiones



Tipo		Secadora de carga frontal
Modelos		DV25B6800H*
Dimensiones (pulg. (mm))	A. Altura total	33.5 (850)
	B. Ancho	23.6 (600)
	C. Profundidad con la puerta abierta	43.3 (1101)
	D. Profundidad	26.0 (660)

Requisito de espacio libre

Este requisito de espacio libre solo se aplica a las secadoras.

NOTA

- Para el requisito de espacio libre para lavadoras, consulte el manual del usuario de la lavadora.
- En caso de que la lavadora y la secadora tengan distintos requisitos de espacio libre, utilice el valor mayor.

Instalaciones del electrodoméstico en un gabinete o en un hueco

ADVERTENCIA

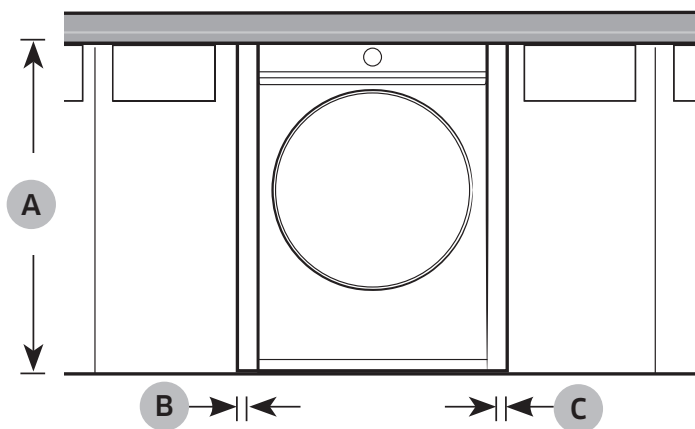
- La secadora debe tener un drenaje con salida hacia el exterior para reducir el riesgo de incendio cuando se instala en un gabinete o en un hueco.
- No se debe instalar ningún otro electrodoméstico que queme combustible en el mismo gabinete de la secadora.
- Coloque la secadora al menos a 18 pulgadas (460 mm) sobre el suelo en una instalación en un garaje.

Espacio mínimo para un funcionamiento estable:

Laterales	Arriba	Atrás	Frente
1 pulg. (25 mm)	1 pulg. (25 mm)	2 pulg. (51 mm)	1 pulg. (25 mm)

Si se instalan una lavadora y una secadora en la misma ubicación, el frente del gabinete o hueco debe tener dos aberturas de aire sin obstrucciones que combinadas sean de al menos 72 pulg.² (465 cm²).

Instalación debajo de un mostrador

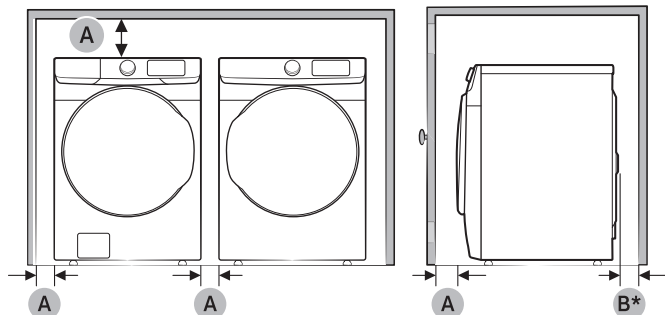


A	34.4 pulg. (875 mm)
B	1 pulg. (25 mm)
C	1 pulg. (25 mm)

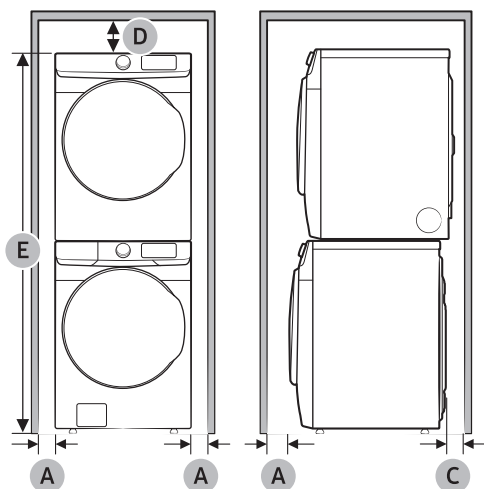
Antes de la instalación

Este requisito de espacio libre se aplica para la instalación de la lavadora y la secadora juntas.

Instalación lado a lado



Instalación apilada



A	1 pulg. (25 mm)
B*	2 pulg. (51 mm)
C	2 pulg. (51 mm)
D	6 pulg. (152 mm)
E	67 pulg. (1702 mm)

(B*): Este requisito de espacio libre solo se aplica a las secadoras. Para el requisito de espacio libre para lavadoras, consulte el manual del usuario de la lavadora.

Se requiere un espacio mínimo (B*) de 3" para lograr el mejor desempeño de la secadora. En caso de que no haya suficiente espacio para la instalación del conducto, se necesita un kit de ventilación del tamaño adecuado.

NOTA

Apilamiento (SK-DH)

Muchas de las lavadoras y las secadoras de Samsung pueden apilarse para maximizar el espacio aprovechable. Puede adquirir un kit de apilamiento opcional en su comercio minorista de productos Samsung. Para conocer más detalles acerca del apilamiento y los modelos compatibles, consulte el manual del usuario incluido en el kit de apilamiento que ha comprado.

Requisitos eléctricos

El diagrama del cableado se encuentra en la placa debajo del panel de control o en el armazón posterior.

ADVERTENCIA

- La conexión inadecuada del conductor de conexión a tierra del equipo puede generar el riesgo de descarga eléctrica. Consulte a un electricista o técnico calificado si le surgen dudas acerca de si la conexión a tierra de su secadora es correcta. No modifique el enchufe provisto con la secadora; si no entra en el tomacorriente, solicite a un electricista calificado que instale el tomacorriente adecuado.
- Para evitar el riesgo innecesario de incendio, descarga eléctrica o lesiones físicas, todo el cableado y la conexión a tierra deben realizarse de conformidad con los códigos locales o, en ausencia de ellos, de conformidad con el Código Eléctrico Nacional, ANSI/NFPA Nro. 70, su última revisión (para EE.UU.) o el Código Eléctrico Canadiense CSA C22.1, sus últimas revisiones y los códigos y ordenanzas locales. Es su responsabilidad proveer el servicio eléctrico adecuado para su secadora.

Conexión a tierra

Esta secadora debe conectarse a tierra. En caso de que el electrodoméstico funcione mal o se descomponga, la conexión a tierra reducirá el riesgo de descarga eléctrica al ofrecer una vía de menor resistencia a la corriente eléctrica.

ADVERTENCIA

- Su secadora tiene un cable opcional con un conductor de conexión a tierra del equipo y un enchufe de conexión a tierra. El cable se vende por separado.
- El enchufe debe conectarse a un tomacorriente adecuado que esté correctamente instalado y conectado a tierra de conformidad con todos los códigos y ordenanzas locales.
- No modifique el enchufe provisto con la secadora; si no entra en el tomacorriente, solicite a un electricista calificado que instale el tomacorriente adecuado.
- Si no se utiliza un cable de alimentación y la secadora eléctrica debe estar permanentemente conectada, se la debe conectar a un sistema de cableado de metal con conexión a tierra permanente, o se debe conectar un conductor con conexión a tierra del equipo a los conductores del circuito y a la terminal con conexión a tierra del equipo o al cable de la secadora.

Antes de la instalación

Conexiones eléctricas

Antes de poner el electrodoméstico en funcionamiento o realizar pruebas, siga las instrucciones de conexión a tierra de la sección “**Conexión a tierra**”. Se recomienda que se destine un circuito derivado individual (o separado) sólo para la secadora.

No utilice un cable prolongador.

Solo Estados Unidos

La mayoría de las secadoras estadounidenses requieren un servicio eléctrico aprobado de CA de 240 voltios, 60 Hz. Algunas requieren un servicio eléctrico aprobado de 208 voltios, 60 Hz. Los requisitos del servicio eléctrico pueden encontrarse en la etiqueta con información ubicada detrás de la puerta. Se requiere un fusible o interruptor de 30 A a ambos lados del conducto.

- Si se utiliza un cable de alimentación, el cable debe enchufarse a un tomacorriente de 30 A.
- No se provee el cable de alimentación con los modelos eléctricos de secadoras estadounidenses. El cable se vende por separado.

Riesgo de descarga eléctrica

ADVERTENCIA

- Si lo permiten los códigos locales, se puede conectar el suministro eléctrico de la secadora por medio de un nuevo kit de cable de alimentación eléctrica, rotulado para que se lo utilice con la secadora, es decir que cuente con certificación U.L. y categorizado en un mínimo de 240 voltios, 30 amperes con tres conductores de cobre Nro. 10 que finalicen en terminales de bucle cerrado, pernos de pala de tipo abierto con extremos rebatidos o con conductores de estaño.

- No vuelva a utilizar un cable de alimentación eléctrica de una secadora vieja. El cable de alimentación eléctrica debe asegurarse en el gabinete de la secadora con una protección contra los tirones adecuada con certificación UL.
- La conexión a tierra a través del conductor neutro está prohibida para (1) instalaciones nuevas con circuito derivado, (2) casas rodantes, (3) vehículos de recreo y (4) áreas en las que los códigos locales prohíban la conexión a tierra a través de un conductor neutro. (Utilice un enchufe de 4 pines para un tomacorriente de 4 ranuras, tipo NEMA 14-30R.)

Solo Canadá

- Se requiere un servicio eléctrico aprobado de CA de 240 voltios, 60 Hz, equipado con un fusible o disyuntor de 30 A a ambos lados del conducto.

NOTA

Todos los modelos canadienses se envían con el cable de alimentación adjunto. El cable de alimentación debe conectarse a un tomacorriente de 30 A.

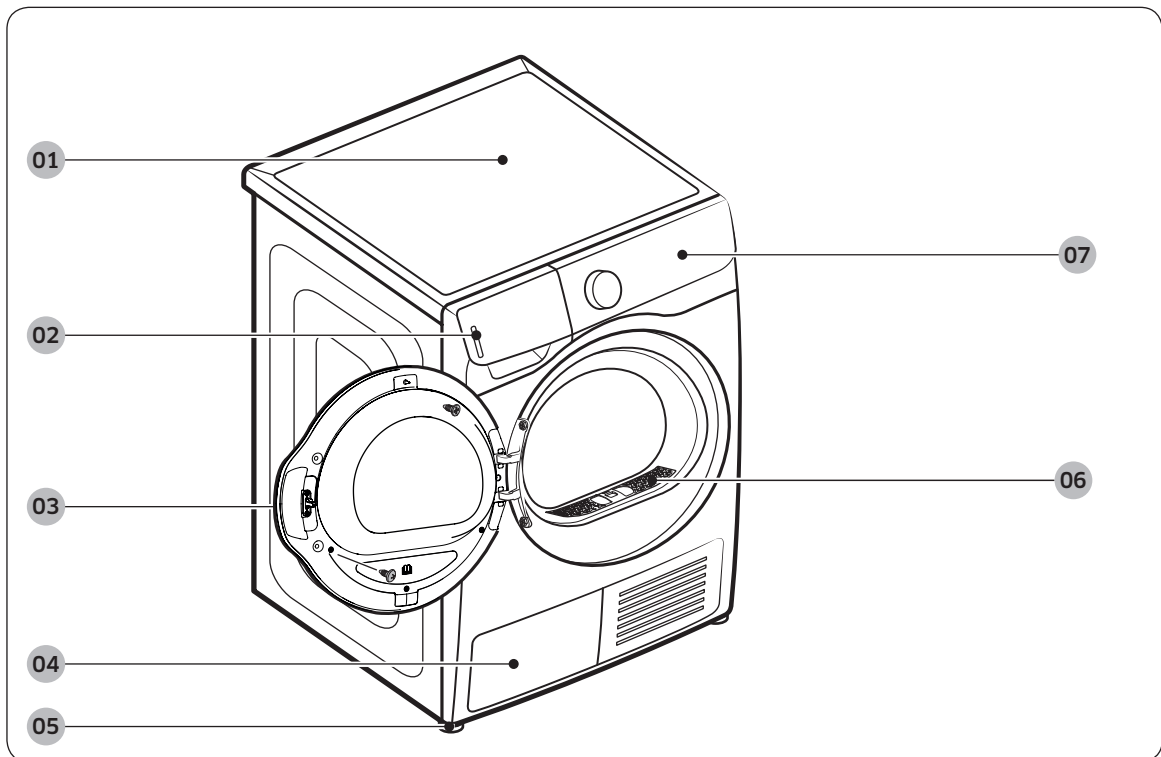
En Canadá, puede convertir una secadora a 208 voltios.

Instalación

Componentes

Desembale la secadora con cuidado. Mantenga los materiales del embalaje fuera del alcance de los niños. Las piezas y la posición de las piezas que se muestran a continuación pueden diferir de su secadora. Antes de la instalación, asegúrese de que la secadora contiene todas las piezas que se indican aquí. Si la secadora y/o las piezas están dañadas o faltan, póngase en contacto con el centro de atención al cliente de Samsung más cercano.

Vista rápida de la secadora



01 Cubierta superior

03 Puerta

05 Pata niveladora

07 Panel de control

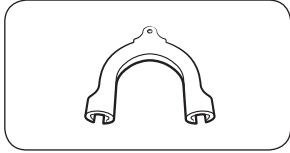
02 Depósito de agua

04 Intercambiador de calor

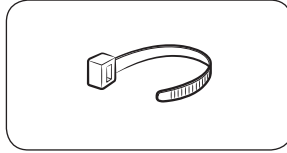
06 Filtro de pelusa

Instalación

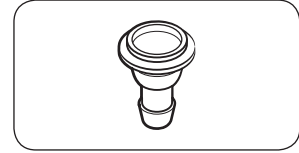
Accesorios (suministrados)



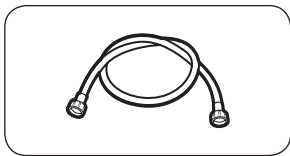
Guía de la manguera



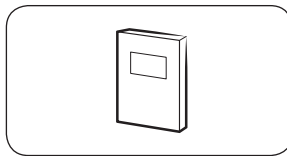
Sujeta cables



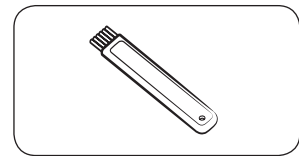
Conector de la manguera



Manguera de drenaje larga
(6.5 ft/2 m)

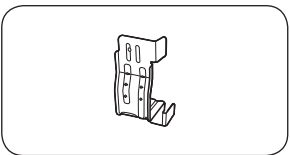


Manual del usuario



Cepillo para limpieza

Accesorios (Solo para Canadá)



Abrazadera del kit
apilamiento
(SK-DH)

NOTA

- El kit de apilamiento permite apilar la secadora encima de la lavadora. Tenga en cuenta que el kit de apilamiento solo se puede utilizar con lavadoras y secadoras Samsung. Para adquirir una abrazadera de kit apilamiento, póngase en contacto con el centro de servicio de Samsung o con el distribuidor local. El kit de apilamiento varía en función del modelo de lavadora.
- Para ver instrucciones para apilar la secadora, consulte el manual de instalación incluido en el kit de apilamiento.
- Para obtener información acerca de la disponibilidad de un modelo concreto de kit de apilamiento, consulte el manual de instalación incluido en el kit de apilamiento.

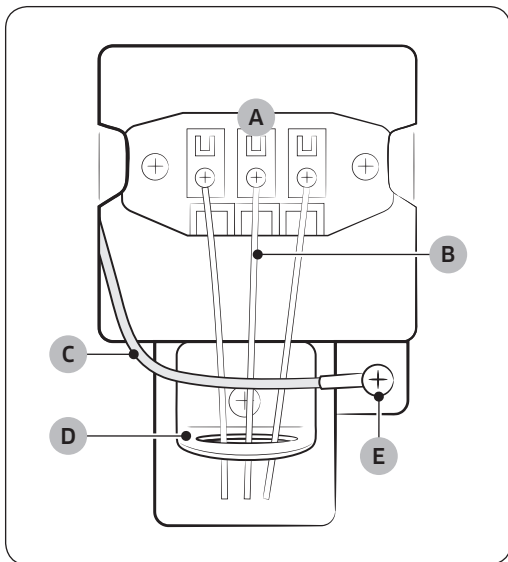
Instalación paso a paso

Asegúrese de que un técnico calificado instale la secadora. A continuación aparecen unas instrucciones paso a paso de la instalación.

PASO 1 Conecte el cableado eléctrico

Primero lea la sección “Requisitos eléctricos” y luego siga las instrucciones de esta página o la siguiente. Las instrucciones para las conexiones de sistemas de 3 cables se encuentran en esta página. Las instrucciones para las conexiones de sistemas de 4 cables se encuentran en la página siguiente.

Para un sistema de 3 cables



- A. Tornillo central de color plateado del bloque de terminales
- B. Cable neutro (cable blanco o central)
- C. Cable a tierra neutro (blanco o verde/amarillo)
- D. Dispositivo de alivio de tensión con certificación UL de ¼" (1.9 cm)
- E. Conector a tierra externo

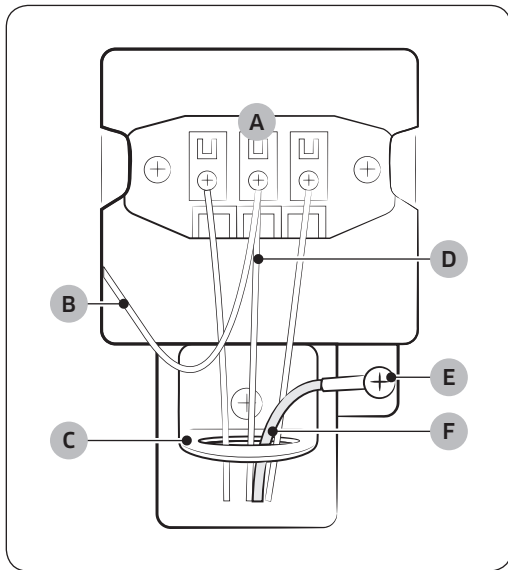
1. Afloje o retire los tornillos del bloque central de terminales.
2. Conecte el cable neutro (cable blanco o central) del cable de alimentación a la terminal de tornillo central de color plateado del bloque de terminales. Ajuste los tornillos.
3. Conecte los demás cables a los tornillos externos del bloque de terminales. Ajuste los tornillos.
4. Ajuste los tornillos con dispositivo de alivio de tensión.
5. Inserte la cubierta del bloque de terminales en el panel trasero de la secadora. Luego, asegure la cubierta con un tornillo de sujeción.

⚠ PRECAUCIÓN

- Para realizar la conversión del sistema de 4 cables a 3 cables, conecte la cinta de conexión a tierra al soporte del bloque de terminales para conectar a tierra el armazón de la secadora al conductor neutro.
- Se recomienda utilizar terminales de tipo anillo. Si utiliza terminales de correa, asegúrese de que estén ajustados.
- Conecte el cable de alimentación y verifique el voltaje de L1/L2/N. Si el voltaje es bajo, es posible que el calentador sea deficiente.

Instalación

Para un sistema de 4 cables



- A. Tornillo central de color plateado del bloque de terminales
- B. Cable a tierra neutro (blanco o verde/amarillo)
- C. Dispositivo de alivio de tensión con certificación UL de $\frac{3}{4}$ " (1.9 cm)
- D. Cable neutro (cable blanco o central)
- E. Conector a tierra externo
- F. Cable verde o de cobre desnudo del cable de alimentación

1. Retire el tornillo del conector externo a tierra y conecte el cable de conexión a tierra (verde o sin cubierta) del cable de alimentación al tornillo.

⚠ PRECAUCIÓN

- Para conectar el cable de conexión a tierra a la posición neutra sin atravesar el contacto A (conexión a tierra del gabinete), comuníquese con un técnico. No se trata de una operación que pueda realizar el usuario.
- Se recomienda utilizar terminales de tipo anillo. Si utiliza terminales de correa, asegúrese de que estén ajustados.

2. Afloje o retire los tornillos del bloque central de terminales.
3. Conecte el cable neutro (cable blanco o central) y el cable de conexión a tierra (blanco) a la terminal de tornillo central de color plateado del bloque de terminales. Ajuste el tornillo.
4. Conecte los demás cables a los tornillos externos del bloque de terminales. Ajuste los tornillos.
5. Ajuste los tornillos con dispositivo de alivio de tensión.
6. Inserte la lengüeta de la cubierta del bloque de terminales en el panel trasero de la secadora. Luego, asegure la cubierta con un tornillo de sujeción.

PRECAUCIÓN

Conecte el cable de alimentación y verifique el voltaje de L1/L2/N. Si el voltaje es bajo, es posible que el calentador sea deficiente.

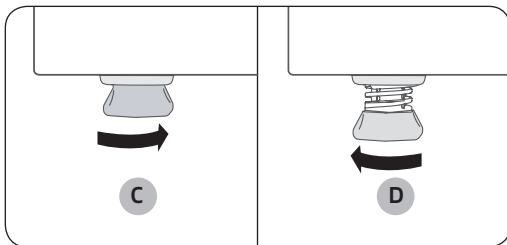
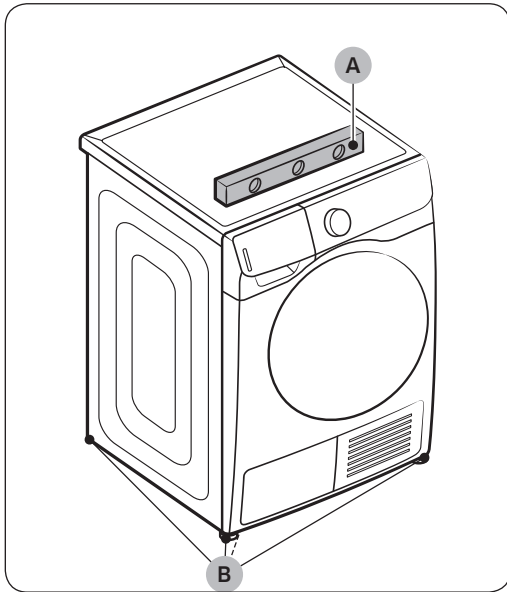
ADVERTENCIA

- Todos los modelos estadounidenses están fabricados para una conexión de sistemas de 3 cables. El armazón de la secadora está conectado a tierra al conductor neutro del bloque de terminales. Se requiere una conexión de sistemas de 4 cables para las construcciones nuevas o remodeladas, las casas rodantes o si los códigos locales no permiten la conexión a tierra a través del neutro. Si utiliza un sistema de 4 cables, no puede conectar a tierra el armazón de la secadora al conductor neutro del bloque de terminales.
- Retire la tapa del bloque de terminales.
- Inserte el cable de alimentación con un dispositivo de alivio de tensión con certificación UL a través del orificio provisto en el gabinete cerca del bloque de terminales.
- Se debe utilizar un dispositivo de alivio de tensión.
- No afloje las tuercas ya instaladas en el bloque de terminales. Asegúrese de que estén ajustadas.
- Utilice un tomacorriente para huecos profundos de 3/8" (1 cm).
- Desde el 1 de enero de 1996, el Código Eléctrico Nacional requiere que el cableado nuevo (que no exista) utilice una conexión de 4 cables a esta secadora.

PASO 2 Nivele la secadora

Antes de instalar la secadora, asegúrese de haber leído Requisitos para la instalación en la página 9. Tenga en cuenta que las siguientes instrucciones son para hacer una instalación sin usar una manguera de drenaje. Para ver instrucciones sobre cómo usar una manguera de desagüe, consulte la siguiente sección: "Manguera de desagüe (si es necesario)", en la página 20. Para mayor comodidad, considere la conveniencia de instalar la secadora junto a la lavadora.

Instalación

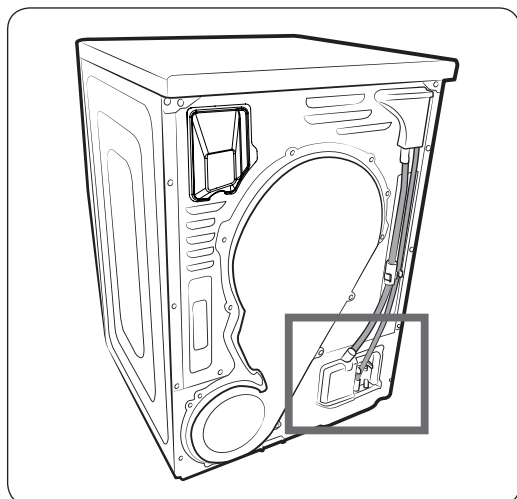


1. Deslice con cuidado la secadora en el lugar seleccionado.
2. Utilice un **nivel (A)** y compruebe la nivelación de la secadora de lado a lado y de la parte frontal a la posterior.
3. Si la secadora no está equilibrada, ajuste la **pata niveladora (B)**. Girar la pata en el sentido contrario a las agujas del reloj la retrae. Girar la pata en el sentido de las agujas del reloj la extiende.
4. Cuando la secadora esté nivelada, asegúrese de que se apoya firmemente sobre el suelo.
5. Enchufe la secadora.

NOTA

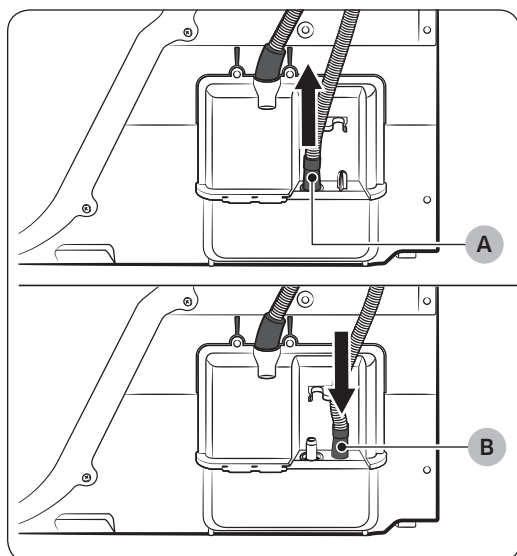
- La secadora se puede nivelar con las patas delanteras, con las patas traseras o con todas.
- Para colocar la secadora a la misma altura que la lavadora, **retraiga completamente (C)** las patas niveladoras girándolas en sentido contrario a las agujas del reloj, luego **afloje (D)** las patas girándolas en el sentido de las agujas del reloj.
- Extienda la pata niveladora lo mínimo necesario. Extender las patas niveladoras más de lo necesario puede hacer que la secadora vibre.

Manguera de desagüe (si es necesario)

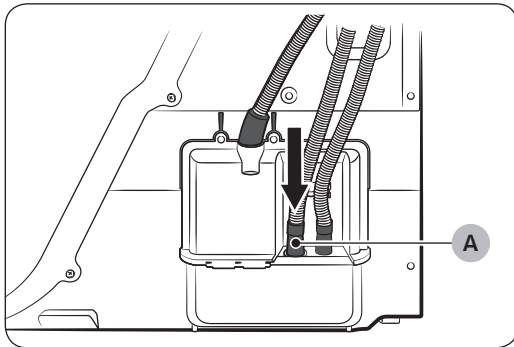


Importante: Esta secadora ya viene con un depósito de agua que almacena el agua recolectada por la secadora al secar la ropa. Este depósito de agua debe vaciarse manualmente antes o después de cada carga. Consulte la página 45. Sin embargo, como se describe a continuación, usted puede instalar la manguera de desagüe larga (provista) para que el agua se vacíe directa y automáticamente a una pila cercana o a una tubería de desagüe.

1. Extraiga la manguera de desagüe del orificio (A) e insértela en el orificio (B).

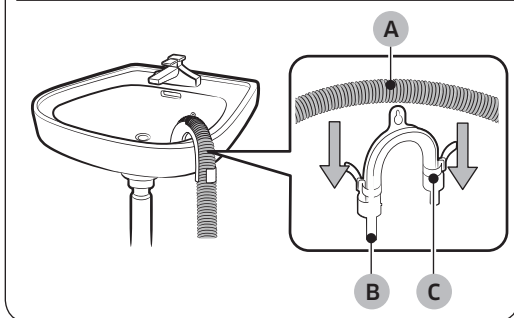
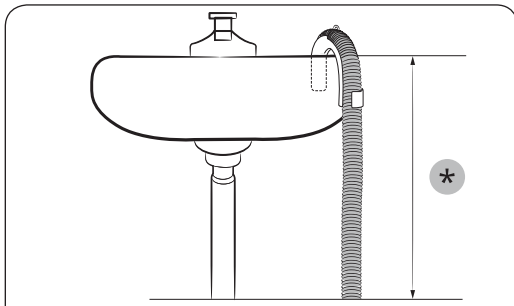


Instalación



2. Inserte un extremo de la manguera accesoria (la manguera de desagüe larga) en el **orificio (A)**.
3. Coloque el otro extremo (la salida) sobre un lavadero o conéctelo a la tubería de desagüe de dicho lavadero. Consulte las instrucciones a continuación o en la página siguiente.

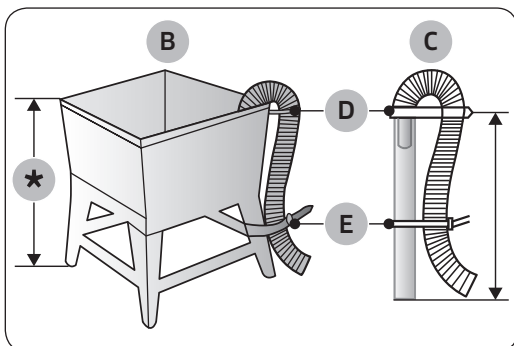
Sobre un lavadero:



1. Asegúrese de colocar el extremo de la manguera accesoria a no más de **3 ft. (90 cm)** por encima de la parte inferior de la secadora.
2. Para doblar la manguera accesoria de modo que se enganche sobre el borde del fregadero, use la **guía (B)** provista para la manguera de plástico y sujete la guía a la pared con un gancho o al grifo con una cuerda. Instale la **manguera de desagüe (A)** y la **guía de la manguera (B)** y asegúrelas con el **sujetacables (C)**.

⚠ PRECAUCIÓN

No conecte una segunda manguera a la manguera de desagüe para extender su alcance. Pueden producirse fugas de agua en la zona de la conexión. Si necesita que la manguera de desagüe llegue más lejos, use una más larga.



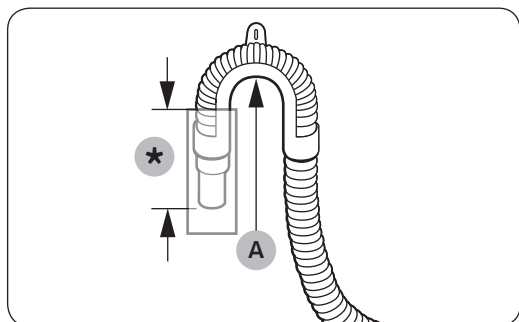
En una toma de agua o una tina

La altura de la **tina de lavado (B)** o del **tubo vertical (C)** no debe exceder los **35.4 pulg. (90 cm)**.

Asegúrese de que la manguera de drenaje y la toma de agua no sean herméticas.

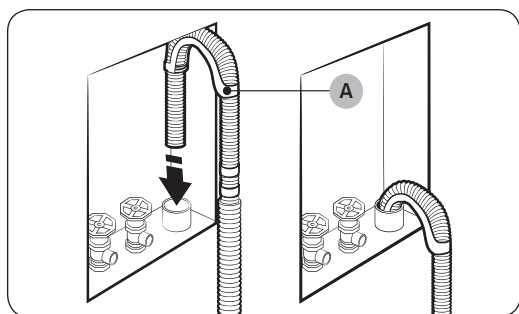
📄 NOTA

D: Dispositivo para sujetar la manguera /
E: Correa de sujeción



⚠ PRECAUCIÓN

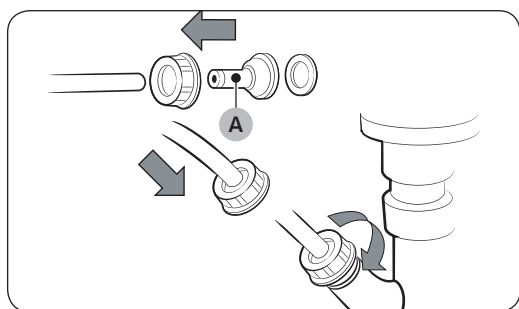
- Conecte la guía de la manguera (A) dentro de 6 pulg. (15 cm)* del extremo de la manguera de drenaje. Si la manguera de drenaje se extiende más allá del extremo de la guía de la manguera, puede propagarse moho o microorganismos al interior de la secadora.
- La manguera de drenaje se puede instalar hasta una altura de 35.4 pulg. (90 cm), pero la capacidad de drenaje puede reducirse a la altura máxima. La secadora puede averiarse si se queda demasiada agua en su interior.



Sistema de drenaje de toma de agua de pared

La manguera de drenaje debe colocarse en un sistema de drenaje de toma de agua de pared. Para mantener doblado el extremo de la manguera de desagüe, utilice la **guía (A)** para la manguera que se suministra. Fije la guía a la pared utilizando un gancho para garantizar un desagüe estable.

Usando la tubería de desagüe del lavadero:

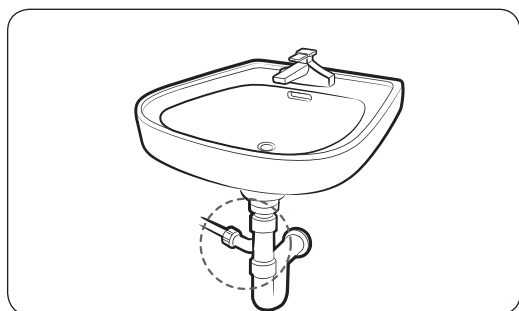


1. Instale el conector de la manguera (A) y fíjelo al extremo de la manguera accesoria como se muestra.

⚠ PRECAUCIÓN

Para evitar fugas de agua, asegúrese de conectar firmemente la manguera y el conector.

2. Conecte el adaptador de la manguera directamente a la tubería de desagüe del lavabo.



Instalación

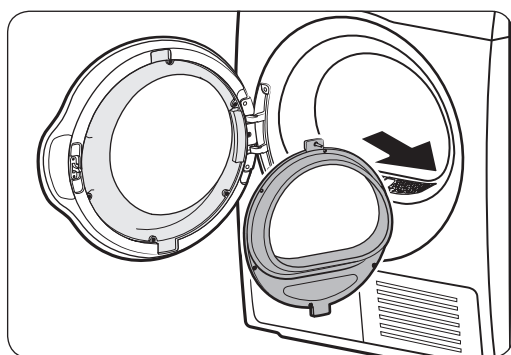
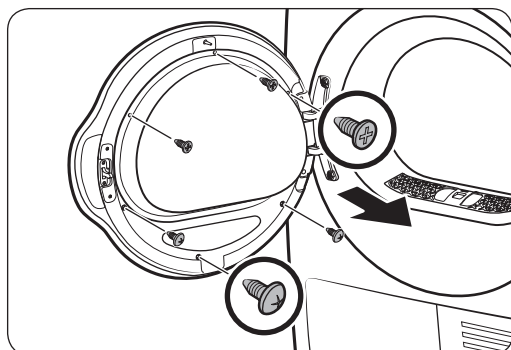
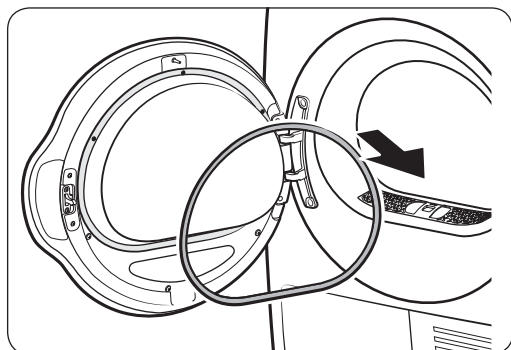
Lista de verificación

- La secadora está enchufada a una toma de corriente conectada a tierra adecuadamente.
- Todo el material de embalaje se ha retirado y eliminado correctamente.
- La secadora está nivelada y se apoya firmemente sobre el suelo.
- La manguera de desagüe larga se instala si desea que el agua recolectada durante el proceso de secado se drene automáticamente.
- Encienda la secadora para asegurarse de que funciona, calienta y se apaga.
- Ejecute un ciclo **TIME DRY (TIEMPO DE SECADO)** durante 20 minutos para ver si se muestra el código de información **HC**. Si es así, póngase en contacto con un centro de servicio técnico local.
- Después de la instalación, se recomienda esperar por lo menos 1 hora antes de utilizar la secadora.

Antes de utilizar la secadora

- Asegúrese de que no queda ningún accesorio en el interior del tambor.
- Enchufe el cable de alimentación justo antes de poner en funcionamiento la secadora.
- No bloquee el orificio de entrada de aire de la rejilla de ventilación que se encuentra en la parte frontal de la secadora.
- No deje objetos inflamables cerca de la secadora y mantenga limpio el entorno.
- Nivele la secadora con el suelo.
- No quite las patas niveladoras ajustables de la secadora. Son necesarias para que la secadora esté nivelada respecto al suelo.

Cambiar la posición de la puerta



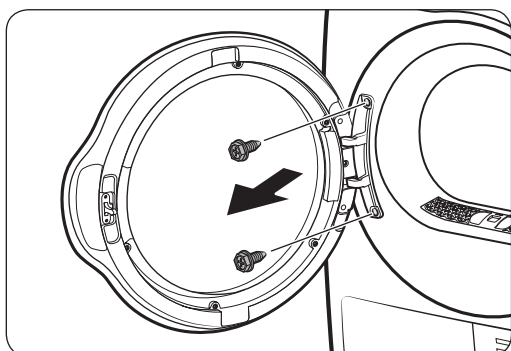
Para invertir la dirección de la puerta, le recomendamos que se comunique con un técnico cualificado y que este siga las instrucciones a continuación.

1. Retire la junta de la puerta.
2. Quite los tornillos del soporte del cristal interior de la puerta.
 - En primer lugar, afloje y quite los 3 tornillos de la parte inferior. Después afloje y quite los 3 tornillos de la parte superior.
3. Separe el soporte de cristal.

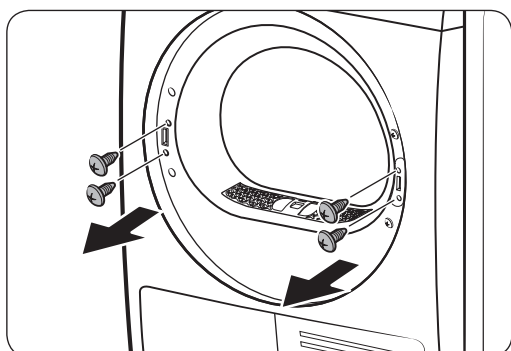
⚠ PRECAUCIÓN

Tenga cuidado de no dejar caer ninguna pieza del soporte cuando lo desmonte. Podría producirse daños materiales (resquebrajaduras o roturas) o físicos.

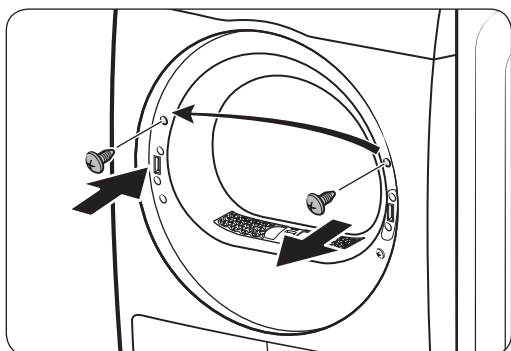
Instalación



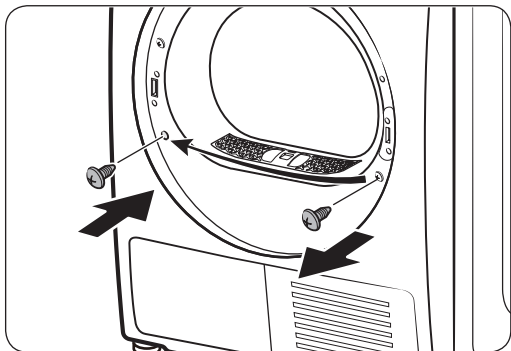
4. Quite los tornillos de la bisagra y desmonte la puerta.
 - Afloje y quite los 2 tornillos del marco de la puerta.
 - Para evitar la fricción de los tornillos, utilice un destornillador hexagonal.



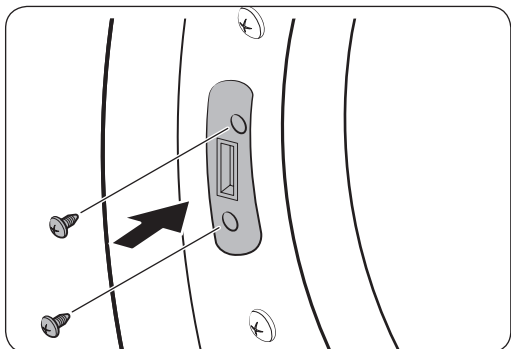
5. Retirar los 2 tornillos del sujetador en el marco izquierdo y después los 2 tornillos de soporte del marco derecho.



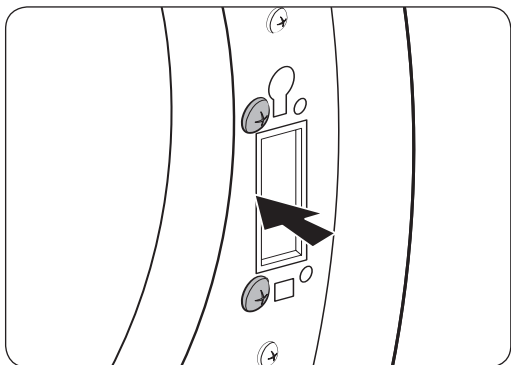
6. Retirar el tornillo superior a la derecha del marco de la puerta y después insertarlo en el orificio izquierdo correspondiente del marco de la puerta. No quite los tornillos de la abrazadera inferior.



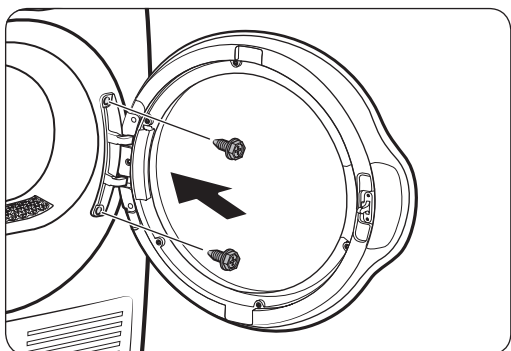
7. Retirar el tornillo inferior del marco derecho y después insertarlo en el orificio correspondiente del marco izquierdo.



8. Inserte los 2 tornillos de la abrazadera que ha extraído en el marco izquierdo, como se muestra.
- Consulte la imagen de la izquierda para conocer la posición correcta de los tornillos.

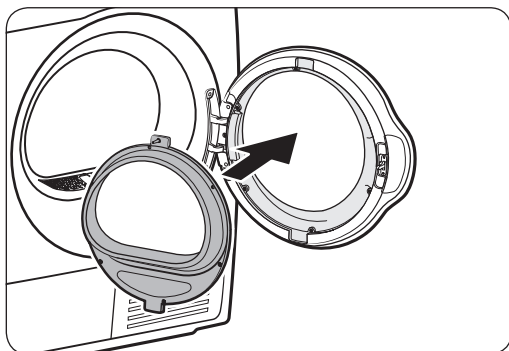


9. Inserte los 2 tornillos de la abrazadera que ha extraído en el marco izquierdo, como se muestra.
- Consulte la imagen de la derecha para conocer la posición correcta de los tornillos.

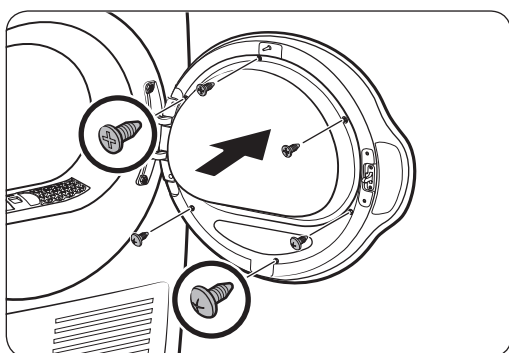


10. Inserte la bisagra de la puerta en el lado opuesto del marco de la puerta y ajuste los 2 tornillos.

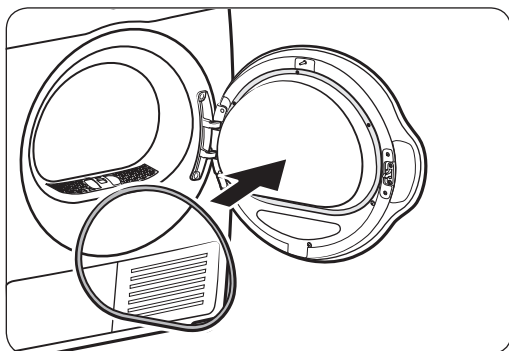
Instalación



11. Insertar el sujetador del vidrio interior en la cubierta de la puerta que se instaló en el marco derecho.



12. Apretar los 3 tornillos de la parte superior y los 3 tornillos de la parte inferior.



13. Monte la junta de la puerta.

Antes de comenzar

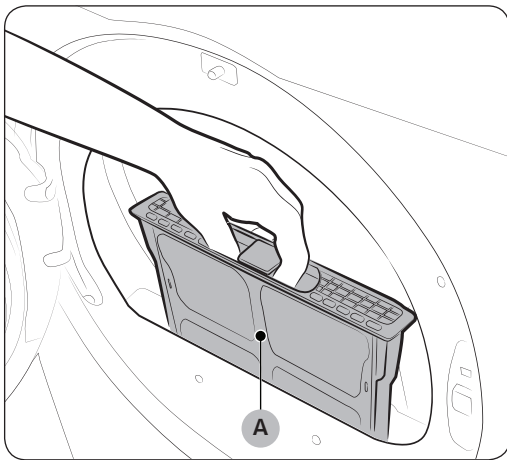
Antes de encender la secadora, debe saber algunas cosas.

Clasificación y carga

- Coloque una carga de ropa en la secadora por vez.
- No mezcle prendas pesadas y livianas.
- Para mejorar la eficiencia de secado al secar una o dos prendas, agregue una toalla seca a la carga.
- Para obtener mejores resultados, desenrede las prendas antes de colocarlas en la secadora.
- Sobrecargar la secadora reduce la acción de volteo, eso producirá un secado desigual, arrugas y un tiempo de secado más prolongado.
- A menos que se recomiende en la etiqueta, no seque prendas de lana o fibra de vidrio.
- Evite secar artículos sin lavar.
- No seque artículos muy sucios con aceite, alcohol, gasolina, etc.

Requisito de funcionamiento

Filtro de pelusa



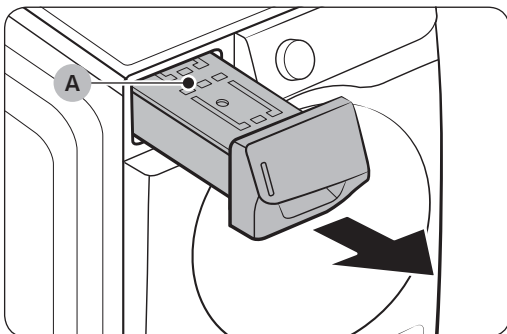
Para evitar el riesgo de incendios, asegúrese de limpiar el filtro de pelusa antes o después de cada carga.

1. Apague la secadora.
2. Abra la puerta y retire el **filtro de pelusa (A)** del tambor.
3. Retire la pelusa acumulada y luego limpie el filtro.
4. Inserte el filtro nuevamente y cierre la puerta.

⚠ PRECAUCIÓN

- No haga funcionar la secadora sin el filtro para pelusas insertado.
- No utilice un filtro de pelusa dañado o roto. Esto podría reducir el desempeño y/o provocar un incendio.

Depósito de agua



Si no ha instalado la manguera de desagüe larga, vacíe el tanque de agua antes o después de cada carga para evitar fugas.

1. Tire del depósito de agua con las dos manos para retirarlo.
2. Vacíe el tanque de agua usando el orificio de drenado en su parte superior y vuelva a ponerlo en su lugar.

📄 NOTA

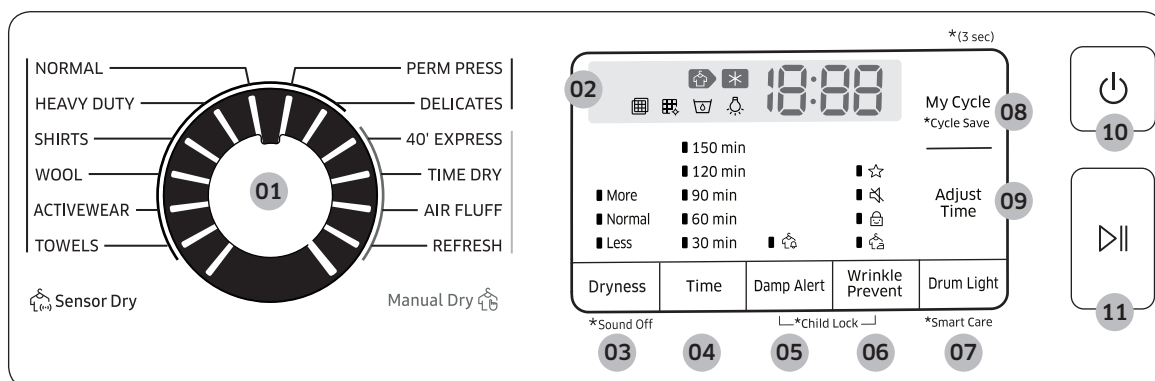
- Cuando se vacía el depósito de agua y se mantiene pulsado Inicio/Pausa (Mantenga presionado para iniciar), se apaga el indicador correspondiente.

Funcionamiento

⚠ ADVERTENCIA

Para reducir el riesgo de incendio, descarga eléctrica o lesiones, lea “**Información sobre seguridad**” antes de poner en funcionamiento el electrodoméstico.

Panel de control



01 Selector de ciclos	Gire el selector de ciclos para seleccionar el ciclo deseado. Al seleccionar un ciclo, se enciende el indicador correspondiente.
02 Pantalla gráfica digital	Muestra toda la información del ciclo, incluyendo el tiempo del ciclo, el código de información, el estado de funcionamiento y los indicadores.
03 Dryness (Nivel de secado)	Presione para ajustar el nivel de secado de los ciclos Sensor Dry (Secado con sensor) . Se enciende el indicador correspondiente. <ul style="list-style-type: none"> Las cargas más grandes o más voluminosas posiblemente requieran More (Más) para que el secado sea completo. Less (Menos) es la opción más adecuada para telas livianas, o para que quede algo de humedad en las prendas al final del ciclo. <p>NOTA</p> Esta opción no se encuentra disponible con WOOL (LANA) y ACTIVEWEAR (ROPA DEPORTIVA) .
04 Time (Tiempo)	Presione para ajustar la duración de los ciclos 40' EXPRESS (RÁPIDO 40') , TIME DRY (TIEMPO DE SECADO) , AIR FLUFF (TEMP. AMBIENTE) y REFRESH (REFRESCAR) . <ul style="list-style-type: none"> Están disponibles las siguientes opciones de tiempo (unidad: minuto): 30, 60, 90, 120, y 150. La duración exacta de la operación de secado varía en función de la humedad de la carga.












05 Damp Alert (Alerta de humedad)	<p>Esta alerta está disponible para todos los ciclos de Sensor Dry (Secado con sensor) excepto ACTIVEWEAR (ROPA DEPORTIVA) y WOOL (LANA). Los niveles de secado disponibles son Normal, More (Más) y Less (Menos).</p> <p>Si una carga contiene prendas mixtas, el indicador de Damp Alert (Alerta de humedad) parpadea cuando el promedio de secado de las prendas es de 80 %. Esto le permite retirar las prendas que no desea que se sequen completamente o que se secan rápidamente fuera de la secadora mientras deja que otras prendas sigan secándose.</p>
06 Wrinkle Prevent (Prevenir Arrugas)	<p>Wrinkle Prevent (Prevenir Arrugas) ofrece aproximadamente 180 minutos de secado intermitente con aire fresco al final del ciclo para reducir la formación de arrugas. Presione Wrinkle Prevent (Prevenir Arrugas) para activar dicha función. La carga está seca y puede retirarla en cualquier momento durante el ciclo Wrinkle Prevent (Prevenir Arrugas).</p> <ul style="list-style-type: none"> Mantenga presionado Wrinkle Prevent (Prevenir Arrugas) durante 3 segundos para apagar la alarma. Cuando la alarma está apagada, se enciende el indicador (🔊) de Alarm Off (Alarma apagada).
07 Drum Light (Luz Interior)	<p>Presione para encender o apagar la lámpara interior. La lámpara permanece encendida durante 2 minutos y luego se apaga automáticamente.</p>
08 My Cycle (Mi Ciclo)	<p>Seleccione su ciclo preferido incluyendo duración, temperatura y nivel de secado. Consulte "My Cycle (Mi Ciclo)" en la página 36 para obtener más detalles.</p>
09 Adjust Time (Ajustar Tiempo)	<p>Puede cambiar el tiempo ajustado en los ciclos de Manual Dry (Secado Manual). Para cambiar la duración del ciclo, presione Adjust Time (Ajustar Tiempo) hasta que aparezca el tiempo deseado.</p>
10 Encender/ Apagar	<p>Presione para encender y apagar la secadora.</p>
11 Inicio/Pausa (Mantenga presionado para iniciar)	<p>Mantenga presionado para iniciar el funcionamiento, o presione para detenerla de forma momentánea.</p>

NOTA

Los artículos que quedan muy enredados durante el lavado pueden disminuir la eficiencia del secado o hacer que se abra la puerta de la secadora. Recomendamos desenredar las prendas antes de colocarlas en la secadora.

Funcionamiento

Indicadores

	Secado		Damp Alert (Alerta de humedad)
	Enfriando		My Cycle (Mi Ciclo)
	Indicador de control de filtro		Sound Off (Sonido apagado)
	Alarma de limpieza del intercambiador de calor		Child Lock (Seguro para niños)
	Depósito de agua lleno		Wrinkle Prevent (Prevenir Arrugas)
	Drum Light (Luz Interior)		

Sencillos pasos para comenzar

1. Presione **Encender/Apagar** para poner en funcionamiento la secadora.
2. Gire el **Selector de ciclos** para seleccionar el ciclo deseado.
3. Cambie las configuraciones de ciclo (**Dryness (Nivel de secado)**, **Time (Tiempo)**) según sea necesario.
4. Como opción, puede activar las opciones disponibles presionando el botón correspondiente. (**Adjust Time (Ajustar Tiempo)**, **Wrinkle Prevent (Prevenir Arrugas)** y/o **Damp Alert (Alerta de humedad)**)
5. Mantenga presionado **Inicio/Pausa (Mantenga presionado para iniciar)**. La luz indicadora de la secadora se enciende y el tiempo estimado del ciclo aparece en la pantalla.

Para cambiar el ciclo durante el funcionamiento

1. Presione **Inicio/Pausa (Mantenga presionado para iniciar)** para detener el funcionamiento.
2. Seleccione un programa diferente.
3. Mantenga presionado **Inicio/Pausa (Hold to Start (sostenga para iniciar))** para iniciar el nuevo ciclo.

Clasificación y carga

- Sobrecargar la secadora extenderá significativamente el tiempo de secado. Para obtener mejores resultados, cargue la secadora sólo hasta la mitad.
- Ponga una sola carga de lavado a la vez en la secadora.
- Evite mezclar prendas pesadas y livianas.

- Para aumentar la eficiencia de secado al secar una o más prendas, agregue una toalla seca a la carga.
- Para obtener mejores resultados, desenrede las prendas antes de colocarlas en la secadora.
- Sobrecargar la secadora limita su funcionamiento y ocasiona un secado desperejo así como la formación de arrugas.
- A menos que se recomiende en la etiqueta, evite secar prendas de lana o fibra de vidrio.
- Evite secar artículos sin lavar.
- No seque artículos muy sucios con aceite, alcohol, gasolina, etc.

Descripción del ciclo

Sensor Dry (Secado con sensor)

Los ciclos de **Sensor Dry (Secado con sensor)** detectan la humedad en la carga y detienen la secadora cuando la carga alcanza el nivel de secado que usted seleccionó con **Dryness (Nivel de secado)**.

Ciclo	Descripción
NORMAL	Para la mayoría de las telas, incluido algodón y lino.
HEAVY DUTY (CARGA PESADA)	Para secar prendas de tela resistente, tales como los jeans, la pana y la ropa de trabajo con calor a alta temperatura.
SHIRTS (CAMISAS)	Se usa para secar rápidamente una prenda (como una camisa).
WOOL (LANA)	Solo para lana que pueda lavarse en lavadora y secarse en secadora.
ACTIVEWEAR (ROPA DEPORTIVA)	Para prendas para hacer ejercicio y actividades al aire libre tales como jerseys de deporte, pantalones deportivos, chaquetas impermeables u otras prendas de entrenamiento. Puede que las telas gruesas como los cierres o cierres velcro o medias de entrenamiento no se sequen completamente.
TOWELS (TOALLAS)	Para toallas de baño y prendas similares
PERM PRESS (PLANCHADO PERMANENTE)	Seca automáticamente prendas de algodón sin arrugas, también telas sintéticas, tejidos y telas antiarrugas.
DELICATES (DELICADOS)	Para secar prendas sensibles al calor a baja temperatura de secado.

Funcionamiento

Manual Dry (Secado Manual)

Puede cambiar los ajustes de secado en forma manual según su preferencia.

Ciclo	Descripción
40' EXPRESS (RÁPIDO 40')	Para secar telas sintéticas livianas de algodón o prendas que necesitan un secado rápido. El tiempo predeterminado es de 40 minutos.
TIME DRY (TIEMPO DE SECADO)	Permite seleccionar el tiempo del ciclo en minutos.
AIR FLUFF (TEMP. AMBIENTE)	Seca la carga con aire a temperatura ambiente.
REFRESH (REFRESCAR)	Utiliza aire tibio para desodorizar y refrescar prendas.

Guía de ciclos

La mejor manera de secar las prendas es seguir las instrucciones de la etiqueta. Si no se brindan instrucciones de secado, consulte la siguiente tabla a modo de referencia.

Ciclo	Descripción
Cubrecamas y edredones	<p>Siga las instrucciones de la etiqueta con indicaciones o seque en el ciclo NORMAL.</p> <ul style="list-style-type: none"> Asegúrese de que la prenda esté completamente seca antes de usarla o guardarla. Tal vez deba volver a colocarla en el tambor para garantizar un secado uniforme.
Ropa de cama	<p>Utilice NORMAL y seque de a una sola cobija por vez para lograr un mejor funcionamiento de la secadora.</p> <ul style="list-style-type: none"> Asegúrese de que las cobijas estén completamente secas antes de usarlas o guardarlas.
Cortinas y paños de tela	<p>Usar PERM PRESS (PLANCHADO PERMANENTE) para ayudar a disminuir las arrugas.</p> <ul style="list-style-type: none"> Seque cortinas y paños de tela en tandas pequeñas para obtener mejores resultados y retírelos lo antes posible una vez finalizado el ciclo.
Pañales de tela	Usar NORMAL para pañales suaves o acolchados.

Ciclo	Descripción
Prendas con relleno de plumas (chaquetas, bolsas de dormir, edredones, etc.)	Siga las instrucciones de la etiqueta con indicaciones o seque en el ciclo NORMAL . <ul style="list-style-type: none"> • Agregue un par de toallas secas para absorber la humedad y acortar el tiempo de secado.
Goma espuma (reverso de alfombras, muñecos de peluche, hombreras, etc.)	No seque con el ciclo de secado con calor. Utilice AIR FLUFF (TEMP. AMBIENTE) . ⚠ ADVERTENCIA Secar un artículo de goma con calor puede dañarlo o causar un incendio.
Almohadas	Utilice NORMAL . <ul style="list-style-type: none"> • Agregue un par de toallas secas y un par de zapatillas limpias para mejorar el funcionamiento de la secadora y ahuecar las almohadas. • No seque almohadas de capoc o de goma espuma utilizando un ciclo de secado con calor. Puede secar estos elementos en la secadora solamente si usa el ciclo AIR FLUFF (TEMP. AMBIENTE) .
Plásticos (cortinas de baño, cubiertas de muebles para exteriores, etc.)	Utilice AIR FLUFF (TEMP. AMBIENTE) o TIME DRY (TIEMPO DE SECADO) y la opción de temperatura Low (Bajo) o Extra Low (Extra Bajo) de acuerdo con las instrucciones de la etiqueta.

⚠ ADVERTENCIA

No seque:

- Artículos de fibra de vidrio (cortinas, paños de tela, etc.)
- Lanas, salvo que se recomienda en la etiqueta
- Artículos manchados o embebidos en aceite vegetal o de cocina

Funcionamiento

Características especiales

Child Lock (Seguro para niños)

La función de Seguro para Niños evita que los niños jueguen con la secadora. Cuando el seguro para niños está activado, todos los botones excepto **Encender/Apagar** se desactivan.

Para activar/desactivar el Seguro para niños, mantenga presionados simultáneamente **Damp Alert (Alerta de humedad)** y **Wrinkle Prevent (Prevenir Arrugas)** durante 3 segundos.

NOTA

Una vez activado el seguro para niños permanecerá activo incluso después que encienda la secadora nuevamente. Si otros botones, salvo el botón **Encender/Apagar**, no responden, verifique el indicador de Seguro para niños. Si el indicador está encendido, siga las instrucciones precedentes para desactivar el seguro para niños.

My Cycle (Mi Ciclo)

Puede crear su propio ciclo con sus ajustes preferidos y usarlo según su conveniencia.

1. Gire el **Selector de ciclos** para seleccionar el ciclo deseado. Se enciende el indicador de ciclo.
2. Configure o modifique los ajustes (**Dryness (Nivel de secado)**, **Time (Tiempo)**, etc.) y/u otras opciones según sea necesario. Los indicadores correspondientes titilan.
3. Mantenga presionado **My Cycle (Mi ciclo)** durante 3 segundos. La secadora guarda el ciclo seleccionado y sus ajustes.

Para utilizar Mi ciclo, presione **My Cycle (Mi ciclo)**.

NOTA

WRINKLE PREVENT (PREVENIR ARRUGAS) no está disponible con My Cycle (Mi ciclo).

Smart Care

Si su secadora muestra un código de información, puede usar Smart Care y la aplicación Smart Care para encontrar qué significa dicho código. Para usar Smart Care, debe tener instalada la aplicación Smart Care de Samsung en su teléfono inteligente.

NOTA

Smart Care está optimizado para Galaxy de Samsung y iPhones de Apple. (no es compatible con algunos modelos).

Descargue la aplicación Samsung Smart Washer desde Google Play Store o Apple App Store (Palabra de búsqueda: “Samsung Smart Washer/Dryer”) e instálela en su teléfono inteligente.

Si aparece algún código de información en la secadora, siga estos pasos:

1. Mantenga presionado al mismo tiempo **Drum Light (Luz Interior)** durante 3 segundos para activar Smart Care.
2. Abra la aplicación Smart Care en su teléfono inteligente.
3. Coloque la cámara de su teléfono inteligente cerca de la pantalla de la secadora. La aplicación reconoce automáticamente el código de información y muestra sugerencias en su teléfono inteligente.
4. Si el teléfono inteligente no reconoce el código de información más de dos veces, ingrese en forma manual el código de información en la aplicación Smart Care.

PRECAUCIÓN

- Si la luz se refleja en la pantalla de la secadora, es posible que el teléfono no reconozca el código de información.
- Si coloca el teléfono inteligente en un ángulo de la pantalla de la secadora, es posible que el teléfono no reconozca el código de información. Para obtener los mejores resultados, sostenga el teléfono inteligente en una posición paralela o casi paralela respecto al frontal del panel.
- Después de usar esta función, la secadora eliminará el registro del código de información de su registro de códigos.

Mantenimiento

ADVERTENCIA

- No rocíe agua directamente en la secadora para limpiarla.
- No utilice benceno, disolventes, alcohol o acetona para limpiar la secadora. Se podría producir decoloración, deformación, daños, una descarga eléctrica o un incendio.
- Asegúrese de desenchufar el cable de alimentación antes de limpiar la secadora.
- Ciertas partes eléctricas se han dejado intencionalmente desconectadas de la tierra física y pueden presentar un riesgo de choque eléctrico durante el mantenimiento. Personal de mantenimiento, no tocar estas partes mientras el aparato esté encendido: tablero de control, motor, bomba de drenaje.

Panel de control

- Limpie con un paño suave y húmedo. No utilice sustancias abrasivas.
- No rocíe productos de limpieza líquidos directamente en la pantalla de la secadora.
- Algunos productos removedores de suciedad y manchas de tratamiento previo pueden dañar el panel de control.
- Al usar productos de limpieza líquidos, aplíquelos a la ropa. No los aplique directamente en la secadora. Limpie el líquido derramado o rociado inmediatamente.

Tambor

- Elimina las manchas del tambor con un limpiador multiuso.
- Seque toallas o trapos para eliminar restos de manchas o productos de limpieza. Las manchas pueden ser aún visibles, pero no afectarán las cargas posteriores.

Tambor de acero inoxidable

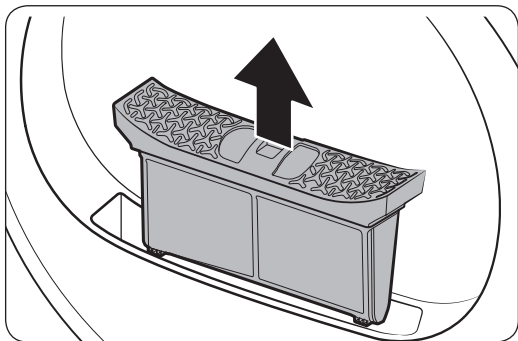
Para limpiar el tambor de acero inoxidable, use un paño humedecido con un limpiador suave, no abrasivo, adecuado para superficies que se deterioran fácilmente. Elimine los residuos del limpiador y seque con un paño limpio.

Exterior de la secadora

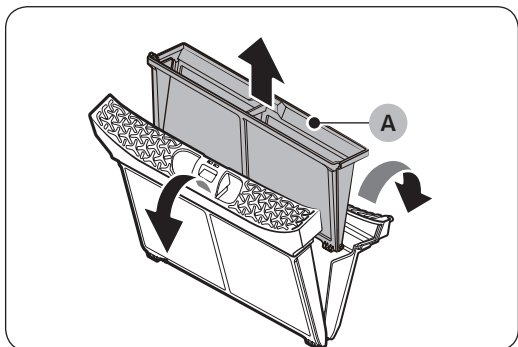
- Limpie con un paño suave y húmedo. No utilice sustancias abrasivas.
- Proteja la superficie de objetos afilados.
- No coloque objetos pesados ni afilados ni tampoco un envase de detergente sobre la secadora. Pueden rayar o dañar la cubierta superior de la secadora.
- La secadora tiene un acabado brillante en toda su superficie. Tenga cuidado de no rayar ni dañar la superficie.

Filtro de pelusa

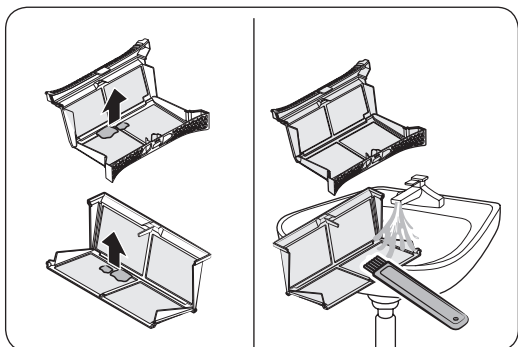
Limpie el filtro de pelusa después de cada carga.



1. Abra la puerta y tire del filtro de pelusa hacia arriba para extraerlo.



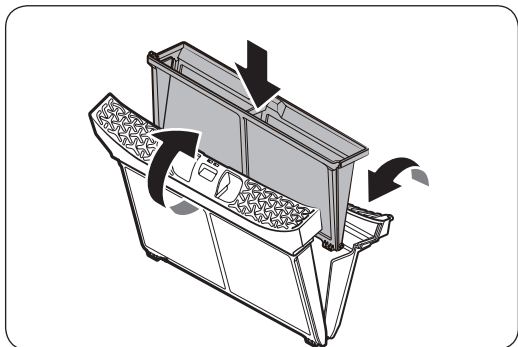
2. Abra el filtro exterior y retire el filtro interior (A).



3. Extienda el filtro interior y el filtro exterior.
4. Retire la pelusa de ambos filtros y límpielos con el cepillo de limpieza.

NOTA

Para limpiar minuciosamente los filtros, límpielos en agua corriente y luego séquelos completamente.



5. Ponga el filtro interior dentro del filtro exterior y monte el filtro de pelusa en su posición original.

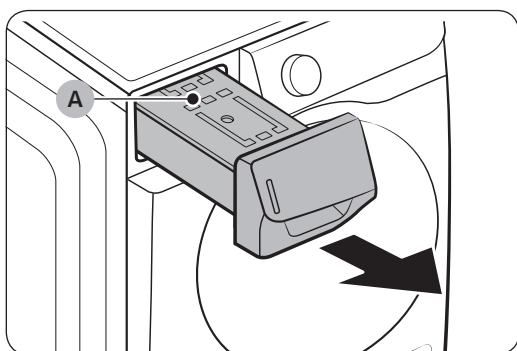
Mantenimiento

⚠ PRECAUCIÓN

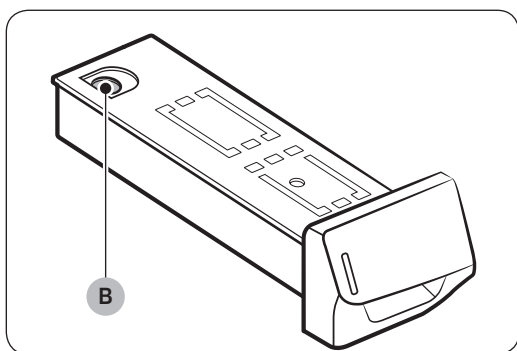
- Limpie el filtro de pelusa después de cada carga. De lo contrario, puede disminuir la eficacia del secado.
- No utilice la secadora si el filtro interior no está insertado en el filtro exterior.
- Utilizar la secadora con un filtro de pelusa húmedo puede causar moho y malos olores o disminuir la eficacia del secado.

Depósito de agua

Vacíe el depósito de agua después de cada carga para evitar fugas.



1. Tire del **depósito de agua (A)** con las dos manos para retirarlo.



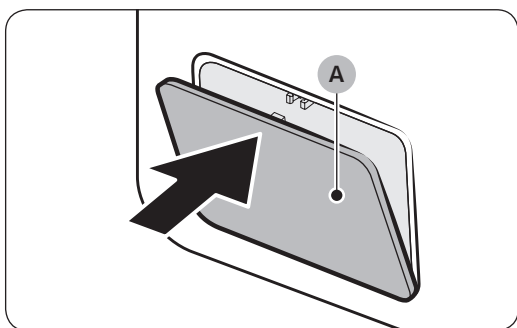
2. Vacíe el agua a través del **orificio de desagüe (B)** y vuelva a colocar el depósito de agua en su lugar.

📄 NOTA

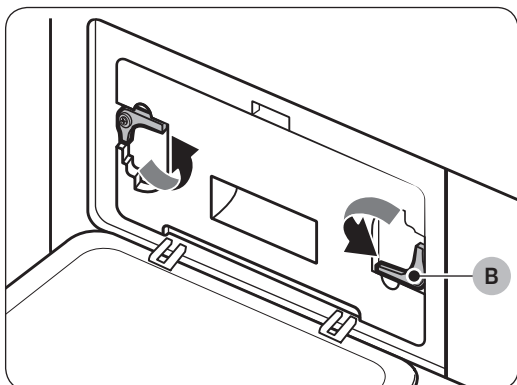
Cuando se vacía el depósito de agua y se mantiene pulsado **Inicio/Pausa (Mantenga presionado para iniciar)**, se apaga el indicador correspondiente.

Intercambiador de calor

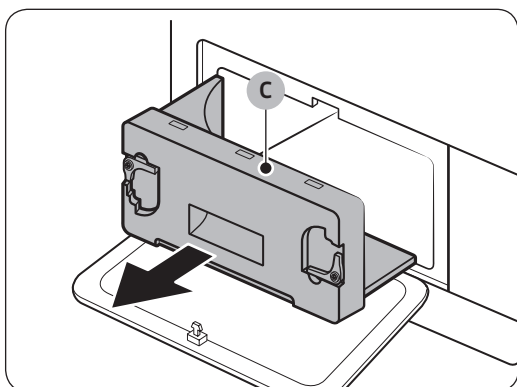
Limpié el intercambiador de calor al menos una vez al mes. Cuando es necesario limpiar el intercambiador de calor, el indicador correspondiente (👁) se enciende en la pantalla a modo de recordatorio.



1. Presione suavemente la parte superior de la cubierta exterior (A) para abrirla.

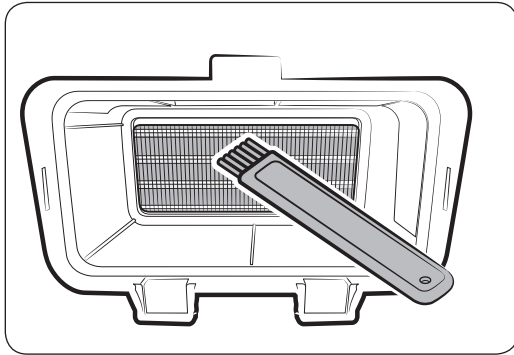


2. Desbloquee las fijaciones (B).



3. Separe la cubierta interior (C).

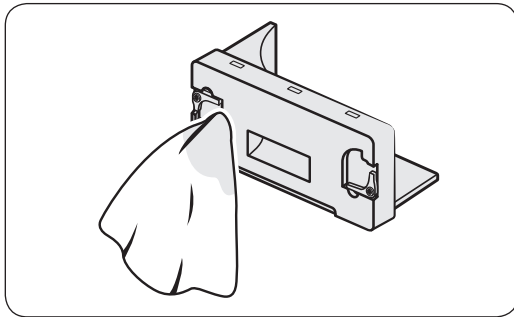
Mantenimiento



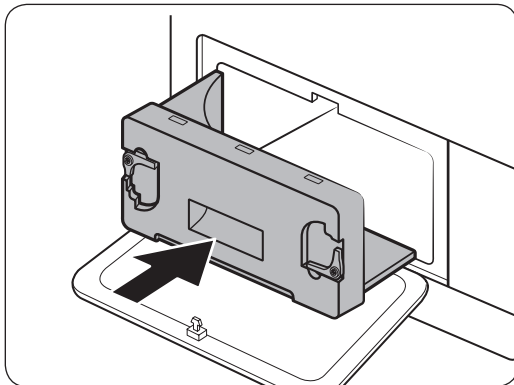
4. Limpie el intercambiador de calor con el cepillo de limpieza proporcionado o con un aspirador con un accesorio de cepillo. Tenga cuidado de no doblar ni dañar las aletas del intercambiador de calor durante la limpieza. Esto podría disminuir la eficacia del secado.

⚠ PRECAUCIÓN

- Para evitar lesiones y quemaduras, no toque ni limpie el intercambiador de calor con las manos descubiertas.
- No limpie el intercambiador de calor con agua.



5. Limpie la cubierta interior con un paño suave y húmedo.



6. Vuelva a insertar la cubierta interior en su posición original y a continuación bloquee las fijaciones.
7. Cierre la cubierta exterior.

📄 NOTA

Después de la limpieza, asegúrese de que las fijaciones están bloqueadas.

Solución de problemas

Verificaciones

Si la secadora funciona en forma anormal, primero consulte la lista de problemas en la tabla siguiente y pruebe las sugerencias.

Problema	Acción
No funciona.	<ul style="list-style-type: none"> • Asegúrese de que la puerta esté cerrada. • Asegúrese de que el cable de alimentación esté conectado a un tomacorriente que funcione. • Controle los disyuntores o fusibles de su casa. • Mantenga presionado Inicio/Pausa (Mantenga presionado para iniciar) nuevamente si la puerta se abrió durante un ciclo. • Limpie el filtro para pelusas.
No calienta.	<ul style="list-style-type: none"> • Controle los disyuntores o fusibles de su casa. • Algunos ciclos no requieren calor. Verifique nuevamente el ciclo seleccionado. • Revise el filtro de pelusa y el intercambiador de calor. Límpielos si es necesario. • La secadora puede haberse desplazado a la fase de enfriamiento del ciclo.
No seca.	<ul style="list-style-type: none"> • Verifique todos los ítem anteriores y, además... • Seque los artículos pesados y los livianos por separado. • Es posible que sea necesario volver a colocar los artículos grandes y voluminosos, como las cobijas o los edredones, para garantizar un secado uniforme. • Asegúrese de que la lavadora esté drenando en forma correcta y extrayendo el agua de la carga adecuadamente. • Es posible que la carga sea demasiado pequeña como para secarse correctamente. Agregue algunas toallas y reinicie la secadora. • Es posible que la carga sea demasiado grande como para secarse correctamente. Retire algunas prendas para dejar la secadora llena hasta la mitad y luego reinicie. • Limpie el filtro de pelusa y el intercambiador de calor.
Hace ruido.	<ul style="list-style-type: none"> • Verifique si en la carga hay objetos tales como monedas, botones flojos, clavos, etc. Retírelos de inmediato. • Asegúrese de que la secadora esté correctamente nivelada tal como se describe en las instrucciones de instalación. • Es normal que la secadora haga un zumbido pues el aire se mueve a gran velocidad a través de la tina, del abanico o del sistema para drenar el agua.

Solución de problemas

Problema	Acción
No seca de manera uniforme.	<ul style="list-style-type: none"> • Es posible que las costuras, los bolsillos y otras áreas resistentes similares no se sequen por completo cuando el resto de la carga ha llegado al nivel de secado seleccionado. Esto es normal. Puede elegir un nivel de secado más alto o un ciclo que incluya un nivel de secado más alto. • Si se seca un artículo pesado con una carga liviana, por ejemplo una toalla con sábanas, es posible que el artículo pesado no esté completamente seco cuando el resto de la carga alcance el nivel de secado seleccionado. • Para obtener mejores resultados, seque los artículos pesados y los livianos por separado.
Pelusa en las prendas.	<ul style="list-style-type: none"> • Limpie el filtro para pelusas antes de cada carga. Para la ropa que naturalmente acumula pelusas, limpie el filtro durante el ciclo. • Algunas telas producen pelusa (por ejemplo, una toalla de algodón blanco con mucho pelo) y deben secarse por separado de las prendas que atrapan pelusa (por ejemplo, un par de pantalones de lino negro). • Divida las cargas grandes en cargas más pequeñas para el secado. • Revise bien los bolsillos antes de secar las prendas, luego séquelas. • Quite las pelusas de adentro del tambor antes del secado.
Prendas arrugadas después de WRINKLE RELEASE (ANTIARRUGAS).	<ul style="list-style-type: none"> • Funciona mejor con cargas pequeñas de 1 a 4 prendas. • Cargue menos prendas. Cargue prendas similares.
Tiempo prolongado.	<ul style="list-style-type: none"> • Secado con sensor detecta automáticamente la humedad de la carga y apaga la secadora cuando alcanza el nivel de secado seleccionado. • El tiempo de secado puede variar de acuerdo con el tipo y la cantidad de prendas. Consulte la tabla de ciclos para obtener referencias. • Para evitar un tiempo de secado demasiado largo, no cargue más de la mitad.

Si el problema persiste, comuníquese con un centro de servicio local de Samsung.

Códigos de información

Si la secadora no funciona bien, puede ver un código de información en el panel de la pantalla. Para determinar qué debe hacer, consulte la lista de códigos en la tabla siguiente y pruebe las sugerencias.

Código		Acción
tC	Problema en el sensor de temperatura del aire	Limpie el filtro de pelusa y/o el intercambiador de calor. Si no se soluciona, llame al servicio técnico.
tC5	Problema en el sensor de temperatura del compresor	Espere 2 o 3 minutos. Encienda la alimentación y reinicie.
dC	La secadora funciona con la puerta abierta	Cierre la puerta y reinicie. Si no se soluciona, llame al servicio técnico.
HC	Sobrecalentamiento del compresor	Comuníquese con el servicio técnico.
5C	Depósito de agua lleno La bomba de desagüe no funciona	Vacíe el depósito de agua, encienda la alimentación y reinicie. Si no se soluciona, llame al servicio técnico.
AC6	Verifique las comunicaciones entre el PBA principal y el PBA inverter.	<ul style="list-style-type: none"> Según cuál sea el estado, es posible que la secadora recupere automáticamente el funcionamiento normal. Apague la secadora y vuelva a encenderla. Después reinicie el ciclo. Si el código de información sigue apareciendo, llame al centro de servicio.
3C	Revise el funcionamiento del motor.	<ul style="list-style-type: none"> Pruebe reiniciar el ciclo. Si el código de información sigue apareciendo, llame al centro de servicio.





Si un código de información sigue apareciendo en la pantalla, comuníquese con un centro de servicio de Samsung.

Especificaciones

Tabla de indicaciones sobre telas

Los siguientes símbolos ofrecen indicaciones acerca del cuidado de las prendas. La etiqueta de indicaciones de la prenda incluye símbolos para secado, blanqueado, planchado y limpieza en seco. El uso de símbolos garantiza la consistencia entre los fabricantes textiles de artículos nacionales e importados. Siga las indicaciones de la etiqueta para optimizar la vida útil de la prenda y reducir los problemas del lavado.

Ciclo de lavado

	Normal
	Plancha permanente/ Antiarrugas/Control de arrugas
	Prendas suaves / delicadas
	Lavado a mano




Temperatura del agua

...	Caliente
..	Tibia
.	Fría



NOTA

La tabla de la temperatura del agua presenta las temperaturas del agua del lavado apropiadas para diversas prendas. El rango de temperatura es de 106 - 126 °F (41 - 52 °C) para Caliente, 84 - 106 °F (29 - 41 °C) para Tibia y 61 - 84 °F (16 - 29 °C) para Fría. (La temperatura del agua del lavado debe alcanzar un mínimo de 61 °F (16 °C) para que se active el detergente y se logre un lavado eficaz.)




Blanqueador

	Cualquier blanqueador (cuando sea necesario)
	Solo blanqueador sin cloro (protección del color) (si es necesario)
	Secar en secadora






Normal

	Plancha permanente/ Antiarrugas/Control de arrugas
	Prendas suaves / delicadas




Instrucciones especiales

	Secar colgado/tender
	Colgar para que escurra
	Secar en posición horizontal







Secado con calor

	Alto
	Medio
	Bajo
	Cualquier calor
	Sin calor/aire






Temperaturas de secado con plancha o vapor

	Alto
	Medio
	Bajo

Símbolos de advertencia para el lavado

	No lavar
	No retorcer
	No usar lejía
	No secar en secadora
	Sin vapor (agregado a la plancha)
	No planchar

Limpiar en seco

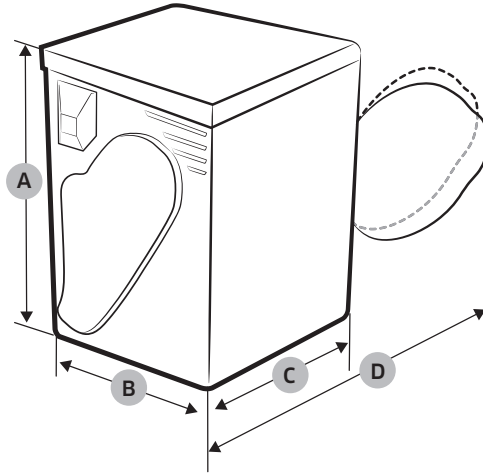
	Limpiar en seco
	No limpiar en seco
	Secar colgado/tender
	Colgar para que escurra
	Secar en posición horizontal

Protección del medio ambiente

Este electrodoméstico se fabrica con materiales reciclables. Si decide desechar este electrodoméstico, siga la normativa local relacionada con la eliminación de desechos. Corte el cable de alimentación para que el electrodoméstico no pueda conectarse a una fuente de alimentación. Retire la puerta para que los animales y los niños pequeños no puedan quedar atrapados dentro del electrodoméstico.

Especificaciones

Hoja de especificaciones



Tipo		Secadora de carga frontal
Dimensiones (pulg. (mm))	A. Altura	33.5 (850)
	B . Ancho	23.6 (600)
	C. Profundidad	26.0 (660)
	D. Profundidad con la puerta abierta 90°	43.3 (1101)
Capacidad (pies cúbicos)		4.0
Peso neto	lb (kg)	88 (40)
Potencia del calentador	Requisitos eléctricos (W)	2200
Potencia del calentador (W)		2500

Tabla de ciclos

NOTA

Para obtener los mejores resultados, siga las recomendaciones sobre el tamaño de la carga para cada ciclo de secado.

- Carga grande: Llene $\frac{3}{4}$ del tambor. No agregue prendas por encima de este nivel para que puedan dar vueltas con libertad.
- ◐ Carga media: Llene $\frac{1}{2}$ del tambor.
- Carga pequeña: Coloque de 3 a 5 prendas y no llene más de $\frac{1}{4}$ del tambor.

Ciclo		Prendas recomendadas	Tamaño de la carga	Dryness (Nivel de secado)
Sensor Dry (Secado con sensor)	NORMAL	Algodón, ropa de trabajo, ropa de cama y de mesa, cargas mixtas	●	Secado Normal (Ajustable)
	HEAVY DUTY (CARGA PESADA)	Telas resistentes, tales como jeans, pana y ropa de trabajo pesado	●	Secado Normal (Ajustable)
	SHIRTS (CAMISAS)	Para camisas o blusas sin arrugas, hechas de fibras sintéticas o tejido mixto.	◐	Secado Normal (Ajustable)
	WOOL (LANA)	Únicamente para lana que pueda lavarse en lavadora y secarse en secadora (Cantidad máxima: 3 lb)	◐	Secado Normal (Sin cambios)
	ACTIVEWEAR (ROPA DEPORTIVA)	Prendas impermeables, prendas de entrenamiento, ropa deportiva	◐	Secado Normal (Sin cambios)
	TOWELS (TOALLAS)	Toallas de baño y prendas similares	●	Secado Normal (Ajustable)
	PERM PRESS (PLANCHADO PERMANENTE)	Camisas, telas sintéticas, tejidos, prendas de algodón sin arrugas y telas con planchado	◐	Secado Normal (Ajustable)
	DELICATES (DELICADOS)	Ropa interior, blusas, lencería	◐	Secado Normal (Ajustable)
Manual Dry (Secado Manual)	40' EXPRESS (RÁPIDO 40')	Carga pequeña	○	-
	TIME DRY (TIEMPO DE SECADO)	Cualquier carga	●	-
	AIR FLUFF (TEMP. AMBIENTE)	Espuma, goma, plástico	◐	-
	REFRESH (REFRESCAR)	Camisas, pantalones, almohadas	◐	-

Especificaciones

NOTA

- : configurado de fábrica, ●: se puede seleccionar

Ciclo		Ajuste del nivel de secado		
		More (Más)	Normal	Less (Menos)
Sensor Dry (Secado con sensor)	NORMAL	●	●	●
	HEAVY DUTY (CARGA PESADA)	●	●	●
	SHIRTS (CAMISAS)	●	●	●
	WOOL (LANA)	-	-	●
	ACTIVE WEAR (ROPA DEPORTIVA)	-	●	-
	TOWELS (TOALLAS)	●	●	●
	PERM PRESS (PLANCHADO PERMANENTE)	●	●	●
	DELICATES (DELICADOS)	●	●	●
Manual Dry (Secado Manual)	40' EXPRESS (RÁPIDO 40')	-	-	-
	TIME DRY (TIEMPO DE SECADO)	-	-	-
	AIR FLUFF (TEMP. AMBIENTE)	-	-	-
	REFRESH (REFRESCAR)	-	-	-

Ciclo		Damp Alert (Alerta de humedad)	Wrinkle Prevent (Prevenir Arrugas)	Adjust Time (Ajustar Tiempo)
Sensor Dry (Secado con sensor)	NORMAL	●	●	-
	HEAVY DUTY (CARGA PESADA)	●	●	-
	SHIRTS (CAMISAS)	●	●	-
	WOOL (LANA)	-	●	-
	ACTIVE WEAR (ROPA DEPORTIVA)	-	●	-
	TOWELS (TOALLAS)	●	●	-
	PERM PRESS (PLANCHADO PERMANENTE)	●	●	-
	DELICATES (DELICADOS)	●	●	-
Manual Dry (Secado Manual)	40' EXPRESS (RÁPIDO 40')	-	●	●
	TIME DRY (TIEMPO DE SECADO)	-	●	●
	AIR FLUFF (TEMP. AMBIENTE)	-	●	●
	REFRESH (REFRESCAR)	-	●	●

Garantía (Estados Unidos)

SECADORA SAMSUNG

GARANTÍA LIMITADA AL COMPRADOR ORIGINAL CON PRUEBA DE COMPRA

El presente producto de la marca SAMSUNG, tal como lo provee y distribuye SAMSUNG ELECTRONICS AMERICA, INC. (SAMSUNG) y lo entrega como nuevo, en su caja de cartón original al comprador o consumidor original, está garantizado por SAMSUNG contra defectos de fabricación de los materiales o la mano de obra durante el período limitado de la garantía, a partir de la fecha

original de compra, de:

un (1) año para todas las piezas y la mano de obra

La presente garantía limitada es válida únicamente para productos comprados y usados en Estados Unidos que fueron instalados, operados y mantenidos de acuerdo con las instrucciones adjuntas o provistas con el producto. Para recibir el servicio técnico en garantía, el comprador debe comunicarse con SAMSUNG en la dirección o el teléfono que figuran más abajo con el fin de que se determine el problema y los procedimientos del servicio. El servicio técnico de la garantía sólo puede ser prestado por un centro de servicio técnico autorizado de SAMSUNG. Para recibir el servicio técnico en garantía debe presentarse la factura original de compra fechada bajo solicitud de SAMSUNG o del Centro de Servicio autorizado Samsung como prueba de compra.

Samsung brindará servicio técnico a domicilio dentro del territorio contiguo de Estados Unidos durante el período de garantía sin cargo, sujeto a la disponibilidad de los centros de servicio autorizados por SAMSUNG dentro de la zona geográfica del cliente. Si el servicio técnico a domicilio no está disponible, SAMSUNG puede, a su elección, optar por transportar el producto hasta y desde un centro de servicio técnico autorizado. Si el producto está ubicado en una zona en la que no se encuentra disponible ningún centro de servicio autorizado por SAMSUNG, usted podrá ser responsable del cargo por transporte o se le podrá requerir que entregue el producto a un centro de servicio autorizado por SAMSUNG para recibir asistencia técnica.

Para recibir el servicio técnico a domicilio, el producto no debe presentar obstrucciones y debe ser accesible para el agente del servicio técnico.

Durante el periodo de garantía aplicable, el producto se reparará o se reemplazará, o se devolverá el importe de compra, a la entera discreción de SAMSUNG. SAMSUNG podrá usar piezas nuevas o reacondicionadas para la reparación del producto, así como reemplazar el producto por un producto nuevo o reacondicionado. La vigencia de la garantía de las piezas y los productos reemplazados será por el período restante de la garantía original del producto o por un período de noventa (90) días, el que sea el más largo. Todas las piezas y los productos reemplazados son propiedad de SAMSUNG y deben ser devueltos a SAMSUNG.

Garantía (Estados Unidos)

La presente garantía limitada cubre defectos de fabricación de los materiales o la mano de obra encontrados durante el uso normal y doméstico de este producto y no cubrirá lo siguiente: daños que ocurran durante el envío, entrega e instalación y usos para los cuales el presente producto no fue destinado; daños causados por modificación o alteración no autorizada del producto; producto cuyos números de serie originales de fábrica fueron eliminados, desfigurados, alterados en algún modo o que no se puedan determinar fácilmente; daños cosméticos incluyendo rayones, hendiduras, abolladuras y otros daños al acabado del producto; daño causado por abuso o mal uso, plagas, accidente, incendio, inundación u otros casos fortuitos o de fuerza mayor; daño causado por el uso de equipo, utilidades, servicios, piezas, suministros, accesorios, aplicaciones, instalaciones, reparaciones, cableado externo o conectores no provistos ni autorizados por SAMSUNG; daño causado por línea eléctrica o voltaje incorrecto, fluctuaciones y sobretensión; daño causado por no operar y mantener el producto de acuerdo con las instrucciones; instrucción a domicilio acerca de cómo usar el producto; y servicio técnico para corregir una instalación que no cumpla con los códigos eléctricos o de plomería o corrección de cableado eléctrico o tuberías (es decir, cableado doméstico, fusibles o mangueras de entrada de agua). El costo de reparación o reemplazo bajo estas circunstancias excluidas será responsabilidad del cliente.

Las visitas de un Ingeniero de reparaciones para explicar funciones, el mantenimiento o la instalación no están cubiertas por la garantía. Contacte con su agente de Samsung para que lo ayude con cualquiera de estos problemas.

EXCLUSIÓN DE GARANTÍAS IMPLÍCITAS

LAS GARANTÍAS IMPLÍCITAS, INCLUYENDO GARANTÍAS IMPLÍCITAS DE COMERCIALIZACIÓN O APTITUD PARA UN PROPÓSITO EN PARTICULAR, ESTÁN LIMITADAS A UN AÑO O AL PERIODO MÁS CORTO PERMITIDO POR LA LEY. Algunos estados no permiten limitaciones en cuanto al periodo de vigencia de una garantía implícita, de tal forma que las limitaciones o exclusiones mencionadas tal vez no se apliquen a usted en particular. Esta garantía le otorga derechos específicos, y además puede tener otros derechos que varían según el Estado en el que se encuentre.

LIMITACIÓN DE RECURSOS

EL ÚNICO Y EXCLUSIVO RECURSO ES LA REPARACIÓN DEL PRODUCTO, EL REEMPLAZO DEL PRODUCTO O LA DEVOLUCIÓN DEL IMPORTE DE COMPRA, A DISCRECIÓN DE SAMSUNG, CONFORME A ESTA GARANTÍA LIMITADA. SAMSUNG NO SERÁ RESPONSABLE POR DAÑOS ESPECIALES, IMPREVISTOS O DERIVADOS, INCLUYENDO ENTRE OTROS, TIEMPO FUERA DEL TRABAJO, HOTELES Y/O COMIDAS EN RESTAURANTES, GASTOS DE REMODELACIÓN, PÉRDIDAS DE INGRESOS O GANANCIAS, INCAPACIDAD DE GENERAR AHORROS U OTROS BENEFICIOS INDEPENDIEMENTE DE LA TEORÍA LEGAL EN LA QUE SE BASE EL RECLAMO, E INCLUSO SI SAMSUNG HA SIDO ADVERTIDA DE LA POSIBILIDAD DE DICHOS DAÑOS. Algunos estados no permiten la exclusión o la limitación de daños imprevistos o derivados, por lo que las limitaciones o exclusiones mencionadas tal vez no se apliquen a usted en particular. Esta garantía le otorga derechos específicos, y además puede tener otros derechos que varían según el Estado en el que se encuentre.

SAMSUNG no garantiza el funcionamiento ininterrumpido o sin errores del producto. Ningún aval o garantía otorgados por otra persona, compañía o corporación con respecto al presente producto revestirá carácter vinculante para SAMSUNG.

Para recibir un servicio técnico de garantía, comuníquese con SAMSUNG a:

Samsung Electronics America, Inc.

85 Challenger Road

Ridgefield Park, NJ 07660

1-800-SAMSUNG (726-7864)

www.samsung.com/us/support

Garantía (CANADÁ)

SECADORA SAMSUNG

GARANTÍA LIMITADA PARA EL COMPRADOR ORIGINAL

El presente producto de la marca SAMSUNG, tal como lo provee y distribuye SAMSUNG ELECTRONICS CANADA, INC. (SAMSUNG) y lo entrega nuevo, en su embalaje de cartón original al comprador o consumidor original, está garantizado por SAMSUNG contra defectos de fabricación de los materiales y la mano de obra durante el período limitado de la garantía de:

- Un (1) año para las piezas y la mano de obra

La presente garantía limitada comienza en la fecha original de compra y es válida únicamente para productos comprados y usados en Canadá.

Para recibir el servicio técnico de la garantía, el comprador debe comunicarse con SAMSUNG con el fin de que se determine el problema y los procedimientos del servicio.

El servicio técnico de la garantía sólo puede ser prestado por un centro de servicio técnico autorizado de SAMSUNG.

Se debe presentar la factura de compra original como prueba de compra a SAMSUNG o al servicio técnico autorizado de SAMSUNG.

SAMSUNG prestará servicio técnico a domicilio durante el período de la garantía sin costo, sujeto a la disponibilidad dentro de Canadá.

El servicio técnico a domicilio no está disponible en todas las áreas.

Para recibir el servicio técnico a domicilio, el producto no debe presentar obstrucciones y debe ser accesible para el agente del servicio técnico.

Si el servicio técnico no está disponible, SAMSUNG puede optar por transportar el producto hasta y desde el servicio técnico autorizado.

SAMSUNG reparará, reemplazará el producto u ofrecerá un reembolso a su criterio y sin cargo adicional, tal como se establece en la presente garantía, con piezas o productos nuevos o reacondicionados si se comprueba que es defectuoso durante el período limitado de la garantía especificado anteriormente.

Todas las piezas y los productos reemplazados pasan a ser propiedad de SAMSUNG y deben ser devueltos a SAMSUNG.

Las piezas y los productos reemplazados asumen la garantía original que resta, o noventa (90) días, el período que sea el más prolongado.

La presente garantía limitada cubre defectos de fabricación de los materiales y la mano de obra encontrados durante el uso normal y doméstico de este producto y no será válida para lo siguiente: daños que ocurran durante el envío; entrega e instalación; aplicaciones y usos para los cuales el presente producto no fue destinado; números de serie o producto alterados; daño cosmético o acabado exterior; accidentes, abuso, descuido, incendio, inundación, caída de rayos, u otros casos fortuitos o de fuerza mayor; uso de productos, equipo, sistemas, utilidades, servicios, piezas, suministros, accesorios, aplicaciones, instalaciones, reparaciones, cableado externo o conectores no provistos ni autorizados por SAMSUNG que dañen este producto o que acarreen problemas en el servicio; voltaje de la línea eléctrica incorrecto, fluctuaciones y sobretensión; ajustes del cliente e incumplimiento de lo establecido en el manual de instrucciones, instrucciones de mantenimiento y ambientales que están cubiertas y recomendadas en el manual de instrucciones; traslado y reinstalación del producto; problemas causados por plagas.

La presente garantía limitada no cubre problemas derivados de la corriente, el voltaje o el suministro eléctrico incorrectos, las bombillas de luz, los fusibles de la casa, el cableado de la casa, el costo del servicio técnico para recibir instrucciones o corregir errores en la instalación.

SAMSUNG no garantiza el funcionamiento ininterrumpido o sin errores del producto. SALVO LO ESTABLECIDO EN LA PRESENTE GARANTÍA, NO EXISTEN GARANTÍAS SOBRE EL PRESENTE PRODUCTO, YA SEAN EXPRESAS O TÁCITAS, Y SAMSUNG DESCONOCE TODAS LAS GARANTÍAS QUE INCLUYEN, AUNQUE NO EN CARÁCTER TAXATIVO, CUALQUIER GARANTÍA TÁCITA DE QUE EL PRODUCTO SE ENCUENTRA EN CONDICIONES APTAS PARA LA VENTA, DE DEFRAUDACIÓN DE DERECHOS O DE QUE EL PRODUCTO SE ADECUA A LOS FINES ESPECÍFICOS PARA LOS CUALES SE ADQUIERE.

NINGÚN AVAL O GARANTÍA OTORGADOS POR PERSONA, COMPAÑÍA O CORPORACIÓN ALGUNA CON RESPECTO AL PRESENTE PRODUCTO REVESTIRÁ CARÁCTER VINCULANTE PARA SAMSUNG.

SAMSUNG NO SERÁ RESPONSABLE POR PÉRDIDA DE INGRESOS O LUCRO CESANTE, IMPOSIBILIDAD DE GENERAR AHORROS U OBTENER OTROS BENEFICIOS, O CUALQUIER DAÑO DERIVADO DE CIRCUNSTANCIAS ESPECIALES, DAÑO IMPREVISTO O DERIVADO CAUSADO POR EL USO, USO INCORRECTO, O INCAPACIDAD PARA USAR EL PRESENTE PRODUCTO, INDEPENDIEMENTE DE LA TEORÍA LEGAL EN QUE SE FUNDE EL RECLAMO Y AUN CUANDO SE LE HAYA NOTIFICADO A SAMSUNG DE LA POSIBILIDAD DE TALES DAÑOS.

NINGÚN RESARCIMIENTO DE NINGUNA ÍNDOLE CONTRA SAMSUNG SUPERARÁ EL MONTO DE COMPRA DEL PRODUCTO VENDIDO POR SAMSUNG Y CAUSANTE DEL PRESUNTO DAÑO.

Garantía (CANADÁ)

SIN LIMITAR LO PRECEDENTE, EL COMPRADOR ASUME TODO EL RIESGO Y LA RESPONSABILIDAD POR PÉRDIDA, DAÑO O LESIÓN AL COMPRADOR Y A LOS BIENES DEL COMPRADOR Y A TERCEROS Y A SUS BIENES DERIVADOS DEL USO, USO INCORRECTO O INCAPACIDAD PARA USAR EL PRESENTE PRODUCTO.

LA PRESENTE GARANTÍA LIMITADA NO SE EXTENDERÁ A NINGUNA PERSONA DISTINTA DEL COMPRADOR ORIGINAL DEL PRESENTE PRODUCTO, ES INTRANSFERIBLE Y ESTABLECE SU EXCLUSIVA REPARACIÓN.

Algunas provincias no permiten limitaciones en cuanto al plazo de una garantía implícita, o la exclusión o limitación de daños imprevistos o derivados, por lo que las limitaciones o exclusiones antedichas pueden no aplicarse en su caso.

Esta garantía le otorga derechos específicos, y además puede tener otros derechos que varían según la provincia en la que se encuentre.

Para recibir un servicio técnico de garantía, comuníquese con SAMSUNG a:

Samsung Electronics Canada Inc.

2050 Derry Road West,

Mississauga, Ontario L5N 0B9 Canada

1-800-SAMSUNG (726-7864)

www.samsung.com/ca/support (English)

www.samsung.com/ca_fr/support (French)

Las visitas de un Ingeniero de reparaciones para explicar funciones, el mantenimiento o la instalación no están cubiertas por la garantía.

Contacte con su agente de Samsung para que lo ayude con cualquiera de estos problemas.





Scan the QR code* or visit
www.samsung.com/spsn
 to view our helpful
 How-to Videos and Live Shows

*Requires reader to be installed on your smartphone

Scan this with your smartphone



Este producto califica para ENERGY STAR en la configuración predeterminada de fábrica "Normal". Si cambia la configuración predeterminada de fábrica o habilita otras funciones, el consumo de energía podría aumentary superar los límites de calificación para ENERGY STAR.

¿TIENE PREGUNTAS O COMENTARIOS?

PAÍS	LLAME A	O VISITE NUESTRA PÁGINA WEB
U.S.A	1-800-SAMSUNG (726-7864)	www.samsung.com/us/support
CANADA	1-800-SAMSUNG(726-7864)	www.samsung.com/ca/support (English) www.samsung.com/ca_fr/support (French)